

**NANYANG PRIMARY SCHOOL
SECOND CONTINUAL ASSESSMENT 2007
MATHEMATICS
PRIMARY FOUR**

Name: _____ () Marks: _____ /100

Class: Primary 4 ()

Parent's Signature: _____

Date: _____

Duration: 1 hour 45 minutes

Section A

Questions 1 to 20 carry 2 marks each. For each question, four options are given. One of them is the correct answer. Make your choice (1, 2, 3 or 4). Shade the oval (1, 2, 3 or 4) on the Optical Answer Sheet.

(Total: 40 marks)

1. A television set was sold for \$3400 when rounded off to the nearest \$100. Which one of the following could be the actual selling price of the television set?

(1) \$3295 (2) \$3349
(3) \$3372 (4) \$3468

2. Which of the following numbers has 4 factors?

(1) 9 (2) 15
(3) 16 (4) 28

3. Which of the following numbers is not a common factor of 42 and 84? ^{21/4}

(1) 6 (2) 7
(3) 3 (4) 12

4. Muthu has fewer than 50 stickers. He can put all of them equally into 4 or 6 albums without any remainder. What is the maximum number of stickers Muthu has?

(1) 60
(3) 24

(2) 48
(4) 12

5. 1000 less than the product of 2369 and 7 is _____.

(1) 15 573
(3) 16 573

(2) 15 583
(4) 16 583

6. There were 3600 spectators at a stadium. $\frac{4}{9}$ of them were children.

$\frac{1}{5}$ of the children were girls. How many girls were there at the stadium?

(1) 320
(3) 720

(2) 400
(4) 1600

7. If another $\frac{1}{3}$ of the figure below were to be shaded, what fraction of the whole figure would be shaded?



- (1) $\frac{5}{18}$ (2) $\frac{1}{3}$
- (3) $\frac{4}{9}$ (4) $\frac{1}{2}$
8. Timothy walked a distance of $2\frac{1}{8}$ km. Reko walked a distance of $1\frac{7}{8}$ km.
How much further than Reko did Timothy walk?

- (1) $\frac{1}{4}$ km (2) $\frac{5}{8}$ km
- (3) $1\frac{3}{4}$ km (4) $3\frac{3}{4}$ km

9. The best estimate for 42×68 is _____.

- (1) 40×60 (2) 40×70
- (3) 50×60 (4) 50×70

10. What is the missing fraction? ^{in the box}

$$\frac{5}{12} + \frac{3}{4} = \frac{6}{8} + \square$$

(1) $\frac{5}{24}$

(2) $\frac{5}{12}$

(3) $\frac{5}{8}$

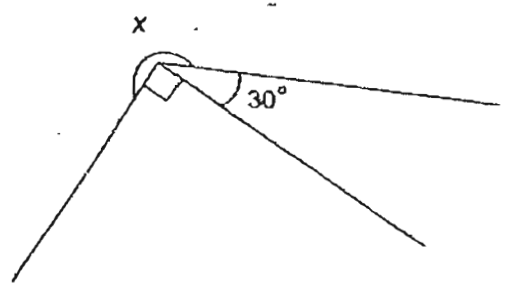
(4) $\frac{5}{6}$

11. How many degrees are there in $\frac{3}{4}$ of a complete turn?

(1) 90°
(3) 270°

(2) 180°
(4) 360°

12. In the figure below, find $\angle x$.



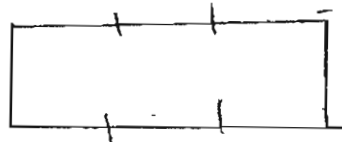
(1) 150°
(3) 270°

(2) 240°
(4) 330°

16. Mr Li's office is 18.276 km from his home. Express this distance to the nearest hundredth km.

- | | |
|--------------|--------------|
| (1) 18.27 km | (2) 18.28 km |
| (3) 18.37 km | (4) 18.38 km |

17. The length of a rectangular piece of land is thrice its breadth. If its perimeter is 120 m, what is its breadth?



- | | |
|----------|----------|
| (1) 15 m | (2) 20 m |
| (3) 30 m | (4) 40 m |

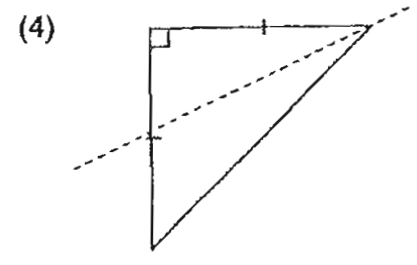
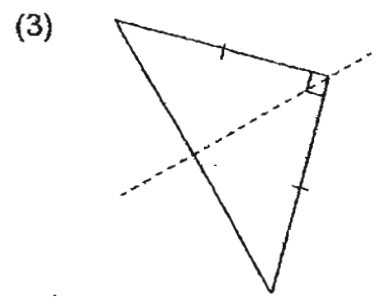
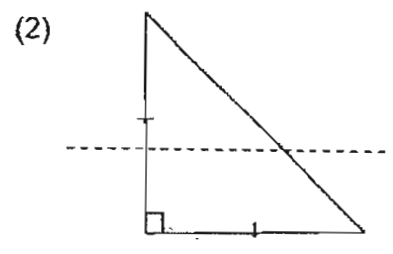
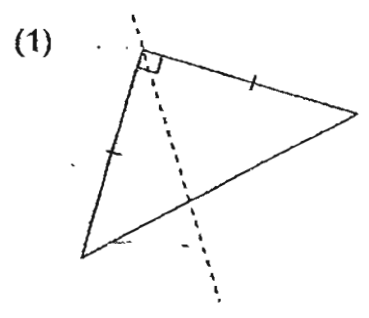
18. The total mass of 3 parcels, X, Y and Z is 6.4 kg. The mass of parcel X is 1.25 kg while that of parcel Y is 1.6 kg. What is the mass of parcel Z?

- | | |
|-------------|-------------|
| (1) 2.85 kg | (2) 3.55 kg |
| (3) 4.8 kg | (4) 5.15 kg |

19. Alice took $\frac{1}{4}$ h to walk from her house to the community library. How long did she take in seconds?

- (1) 15 s (2) 80 s (4)
- (3) 90 s (4) 900 s

20. In which of the figures below is the dotted line a line of symmetry?



Section B

Questions 21 to 40 carry 2 marks each. Show your working clearly in the space below each question and write your answers in the spaces provided. For questions which require units, give your answers in the units stated.

(Total: 40 marks)

21. In the box below, find the sum of **all** the numbers which are multiples of 3.

| | | |
|----|----|----|
| 71 | 84 | 45 |
| 91 | 57 | 38 |

Answer : _____

22. What is the missing number?

6, 18, 36, _____, 216, 648

Answer : _____

23. What is the missing number in the box?

$$125 \times 32 = 125 \times 30 + \boxed{} \times 25$$

Answer : _____

24. Mrs Cai bought a diamond pendant and a watch. The pendant cost thrice as much as the watch. She spent \$1184 altogether. How much did she pay for the pendant?

Answer : \$ _____

25. What is the missing number in the box?

$$10\frac{7}{12} = 8 + \frac{\boxed{}}{12}$$

Answer : _____ 315

26. Study the number sequence below. What is the missing number in the box? (Give your answer in its simplest form.)

$$\frac{4}{9}, 1, 1\frac{5}{9}, 2\frac{1}{9}, \square$$

Answer : _____

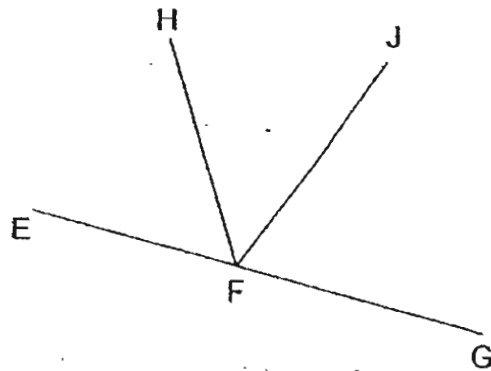
27. How many sixths must be added to $3\frac{1}{6}$ to get $6\frac{2}{3}$?

Answer : _____

28. Liling takes $1\frac{1}{4}$ h to bake 2 cakes. How long will she take to bake 10 such cakes?

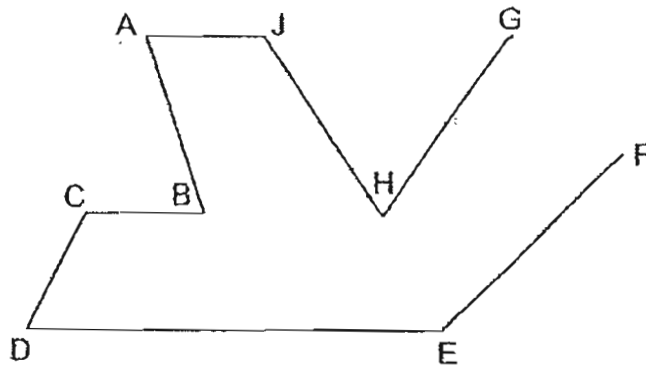
Answer : _____ h

29. EG, FH and FJ are straight lines. Name the angles that are more than 90° but less than 180°



Answer _____

30. In the figure below, name the pair of perpendicular lines.



Answer : _____

31. A farmer spent \$5120 turfing his square garden. It cost \$80 per m^2 to cover it with grass. What is the length of the garden?

Answer : _____ m

32. Arrange the following numbers in descending order:

7.026, 7.26, 7.206, 7.62

Answer : _____

33. Express 78 hundredths as a fraction in its simplest form.

Answer : _____

34. Express the sum of $\frac{1}{4}$ and $\frac{2}{5}$ as a decimal.

Answer : _____

35. Kassim jogged a total of 6 km from Monday to Friday. He jogged a total of 3.9 km on the first 3 days. If he jogged the same distance on the remaining 2 days, how far did he jog on Friday?

Answer : _____ km

36. Each time Alison sharpened her pencil, it was shortened by 0.52 cm. After she had sharpened it 8 times, it was 4.89 cm. What was its original length?
(Give your answer correct to 1 decimal place.)

Answer : _____ cm

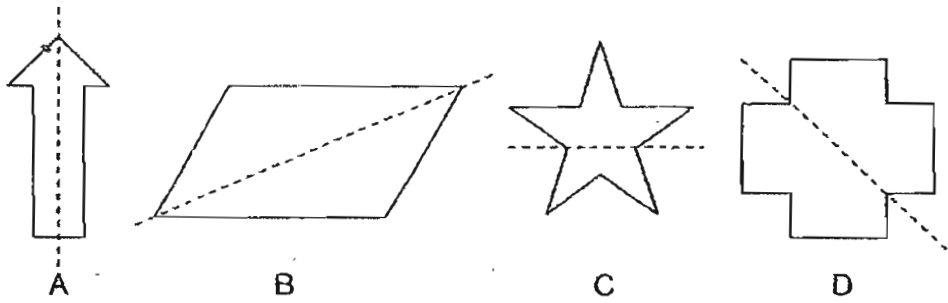
37. The mass of a pandan cake is 0.65 kg. The mass of a blackforest cake is 1.5 kg more than a pandan cake. What is the total mass of a blackforest cake and a pandan cake?
(Give your answer correct to the nearest whole number.)

Answer : _____ kg

38. Mrs Rama bought 7 m of cloth to make curtains and cushion covers. She used 4 m of cloth to sew the curtains and the remaining cloth to sew 5 identical cushion covers. How much cloth was used to sew each cushion cover?
(Give your answer as a decimal.)

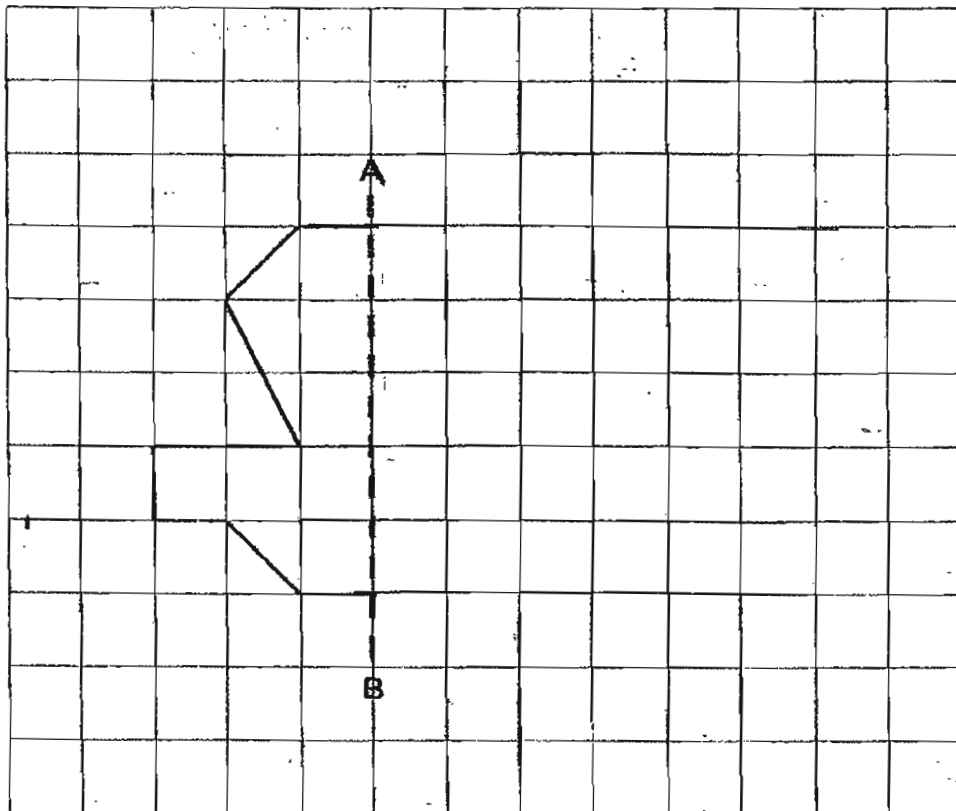
Answer : _____ m

39. In which of the figures below is the dotted line a line of symmetry?



Answer: _____

40. Complete the figure below so that the dotted line AB is the line of symmetry.



Section C

Questions 41 to 45 carry 4 marks each. Do these word problems carefully. Show your working clearly in the space provided for each question and write your answers in the spaces provided.

(Total: 20 marks)

41. Mr Samuel had some cookies. He gave $\frac{3}{8}$ of the cookies to his neighbours and $\frac{1}{4}$ to his friends. He then had 27 cookies left. How many cookies did he have at first?

Answer : _____

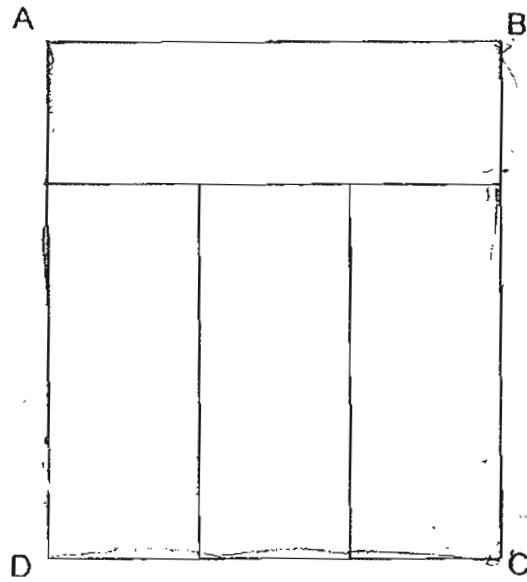
42. Mr Liew works in a restaurant. He works from 9.30 a.m. to 5.30 p.m. on weekdays. He works from 4.30 p.m. to 10 p.m. on Saturdays. He does not work on Sundays. How many hours does he work in a week?

Answer : _____ 321

43. Every day Jack gets 50 cents more pocket money than Tom. Each of them spends \$1.30 and saves the rest of their money. When Jack has saved \$18, Tom has saved only \$13.50. How much pocket money does Jack get daily?

Answer : _____ 322

44. The figure ABCD is made up of 4 ^{identical} similar rectangles. It has a perimeter of 56 cm. What is the area of ABCD?



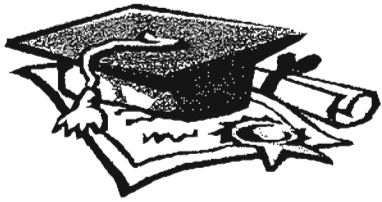
Answer : _____

45. A kettle could hold 420 ml more water than a jug. When 150 ml of water was poured from the jug into the kettle, there ^{was} were 4 times as much water in the kettle as the jug. How much water was there in the jug at first?

Answer : _____

END OF PAPER

Setters: Mrs Loo P F
Mdm Pauline Chew

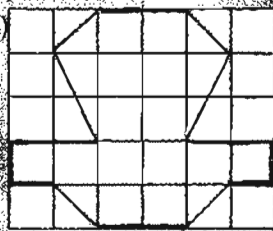


ANSWER SHEET

NANYANG PRIMARY SCHOOL - PRIMARY 4 MATHEMATICS 2007
CONTINUAL ASSESSMENT (2)

1. 3
2. 2
3. 4
4. 2
5. 2
6. 1
7. 4
8. 1
- 9.
- 10.
11. 3
12. 2
13. 3
14. 4
15. 8
16. 2
17. 1
18. 2
19. 4
20. 3
21. 186
22. 60
23. 10
24. \$888
25. 31
26. $2\frac{2}{3}$
27. 21
28. $6\frac{1}{4}$ h
29. $\angle EFH$ and $\angle GFH$
30. $EF \perp FG$

- 31) 8m
- 32) 7.62, 7.26, 7.206, 7.026
- 33) $\frac{39}{50}$
- 34) 0.65
- 35) 1.05km
- 36) 9.1cm
- 37) 3kg
- 38) 0.6m
- 39) A and D



- 41) 72 cookies
- 42) 45
- 43) 5.40
- 44) 192cm²
- 45) 390ml