



PRIMARY 4 MID-YEAR EXAMINATION 2016

Name : _____ () Date: 13 May 2016

Class : Primary 4 ()

Time: 8.00 a.m. to 9.00 a.m.

Parent's Signature : _____

Marks: _____ / 100

MATHEMATICS

PAPER 1

(Booklet A and Booklet B)

Duration for Paper 1 is 1 hour.

Do not open this booklet until you are told
to do so.

Read and follow all instructions carefully.

Answer all questions.

Paper 1 (Booklet A)

Multiple Choice Questions

Questions 1 to 10 carry 2 marks each.

For each question, four options are given. One of them is the correct answer.

Shade the correct oval (1, 2, 3 or 4) on the Optical Answer Sheet. (20 marks)

1. The digit 8 in 40 829 is in the _____ place.

- (1) ones
- (2) tens
- (3) hundreds
- (4) thousands

2. 30 km 30 m = _____ m

- (1) 3 030
- (2) 30 003
- (3) 30 030
- (4) 30 300

3. Find the product of 37 and 30.

- (1) 111
- (2) 900
- (3) 1110
- (4) 1200

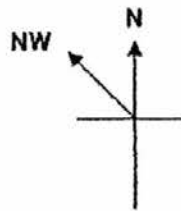
4. What is the quotient when 418 is divided by 7?

- (1) 0
- (2) 5
- (3) 59
- (4) 60

5. A number when rounded to the nearest hundred is 3 000.
What is that number?

- (1) 2 648
- (2) 2 952
- (3) 3 084
- (4) 3 123

6. David is facing North-West. After he turns 90° anticlockwise, in which direction will he face?

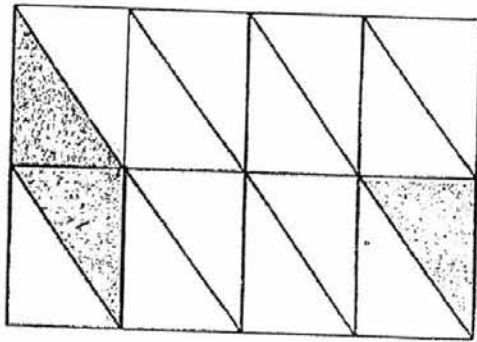


- (1) East
- (2) West
- (3) North-East
- (4) South-West

7. 12 is a common multiple of _____.

- (1) 5 and 7
- (2) 2 and 10
- (3) 3 and 9
- (4) 4 and 6

8.



A rectangle is divided into 16 equal parts.

How many more parts must be shaded so that $\frac{1}{4}$ of the figure is shaded?

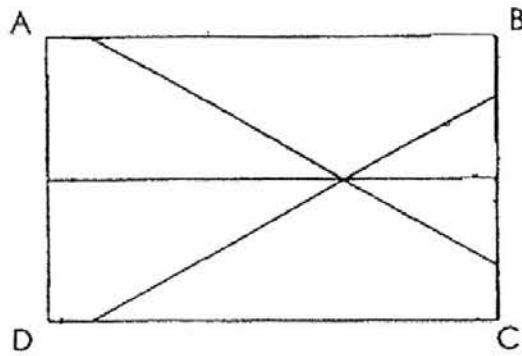
- (1) 1
- (2) 9
- (3) 12
- (4) 4

9. $9\frac{3}{8} = 8\frac{\boxed{7}}{8} + \frac{4}{8}$

What is the missing number?

- (1) 1
- (2) 7
- (3) 3
- (4) 9

10.



How many right angles are there in the figure?

- (1) 10
- (2) 8
- (3) 6
- (4) 4

Paper 1 (Booklet B)

Short Answer Questions

Write your answers in the boxes provided. For questions which require units, give your answers in the units stated. Questions 11 to 30 carry 2 marks each. (40 marks)

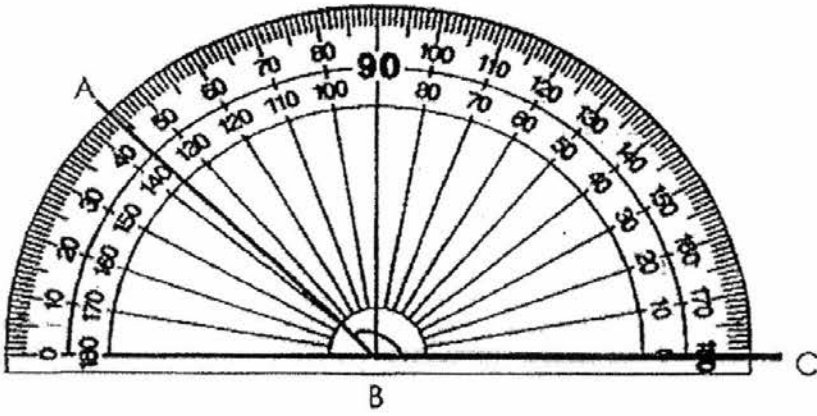
11. Write 86 735 in words.

12. Use the digits below to form the **largest 4-digit even** number. Each digit can be used only once.

7, 0, 2, 8

13. Find the remainder when 5 392 is divided by 9.

14. Find $\angle ABC$.



--

15. Draw a line perpendicular to RS, passing through T.

R

S

T

16. Arrange the following fractions in increasing order.

$$\frac{7}{6}, \frac{9}{4}, 1\frac{2}{3}$$

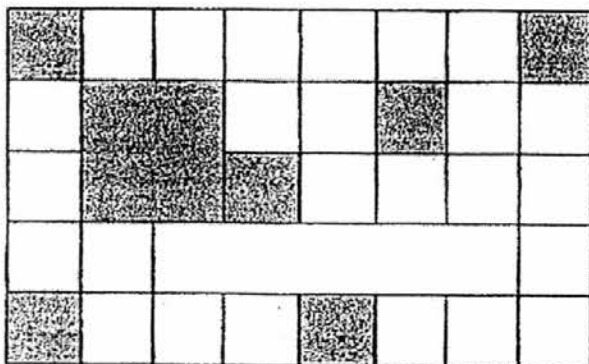
17. $\frac{7}{9}$ of a number is 63. What is the number?

18. Study the number pattern below carefully.
What is the missing number?

25	27	30	?	39	45	52
----	----	----	---	----	----	----

19. Find the value of 47×14 .

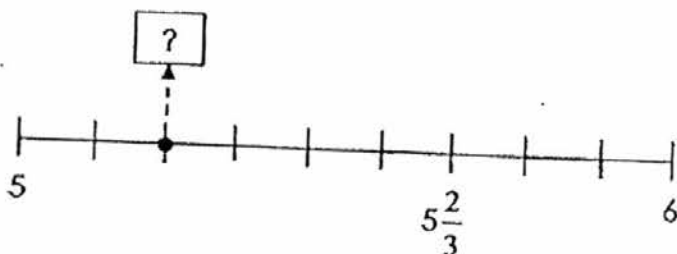
20. The figure below is made up of squares and a rectangle.
What fraction of the figure is shaded?
Express your answer in its simplest form.



21. How many fifths are there in $\frac{4}{5}$?

22. What is the sum of all the **even** numbers from 55 to 65?

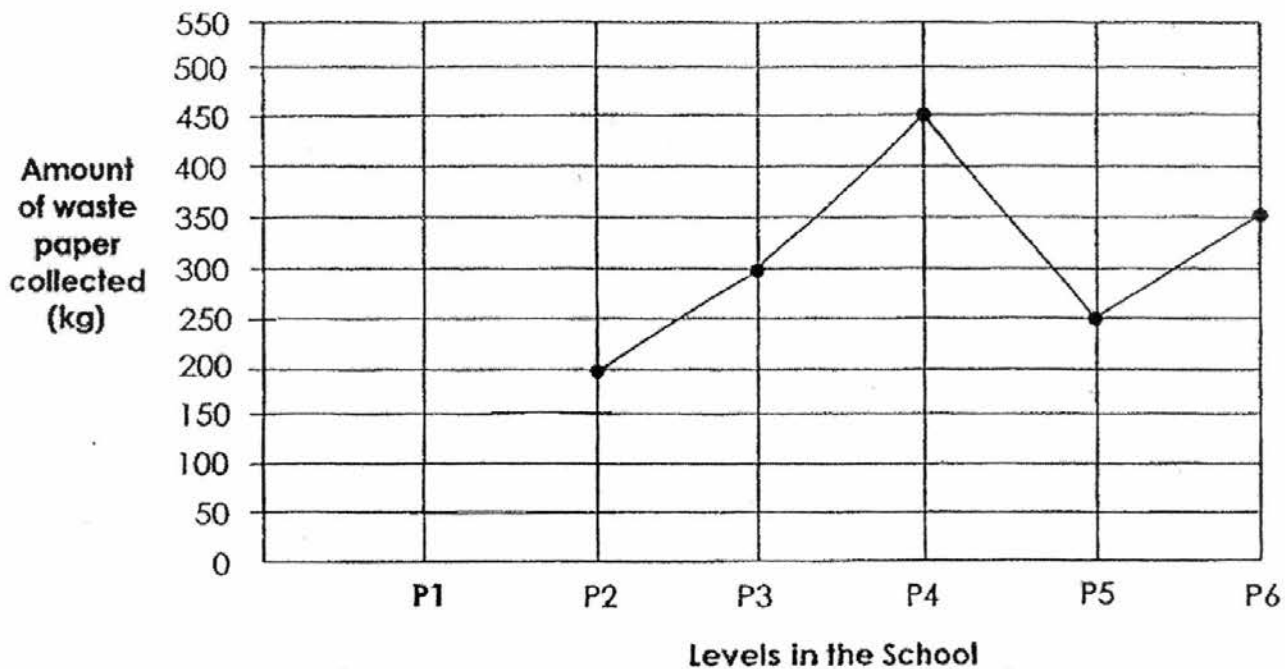
23. What is the missing fraction? Express your answer as a mixed number in its simplest form.



24. Wendy has 20 crayons more than Peter. When Peter gives Wendy 5 crayons, how many more crayons will Wendy have than Peter?

Study the graph carefully and answer questions 25 and 26.

The line graph below shows the amount of waste paper collected by each level of pupils in a school.

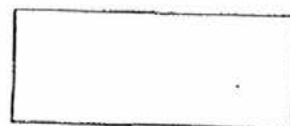
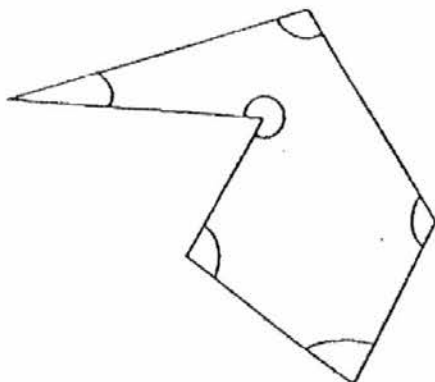


25. P5 pupils collected 5 times as much waste paper as the P1 pupils.

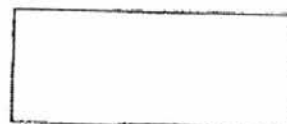
Draw to complete the graph for P1.

26. Which level collected more than the P3 but less than the P4?

27. Look at the figure. How many angles inside the figure are less than 90° .



28. Mr Teo bought 12 boxes of sweets for his pupils. Each box contained 12 sweets. He gave each pupil 4 sweets. How many pupils were there in his class?



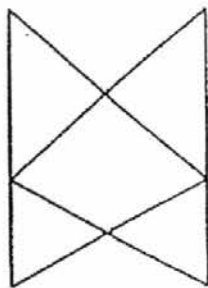
29.



$$\text{Cross} + \text{Star} + \text{Star} = 64$$

Find the value of 

30. Draw the line of symmetry for the following figure.



End of Paper 1

Questions 1 to 10 carry 4 marks each. Show your working clearly in the space provided for each question. Write your answers in the spaces provided. For questions which require units, give your answers in the units stated. (40 marks)

1. There were 800 comic books in three boxes. There were 278 comic books in the first box. There were 29 more comic books in the first box than in the second box. How many comic books were there in the third box?

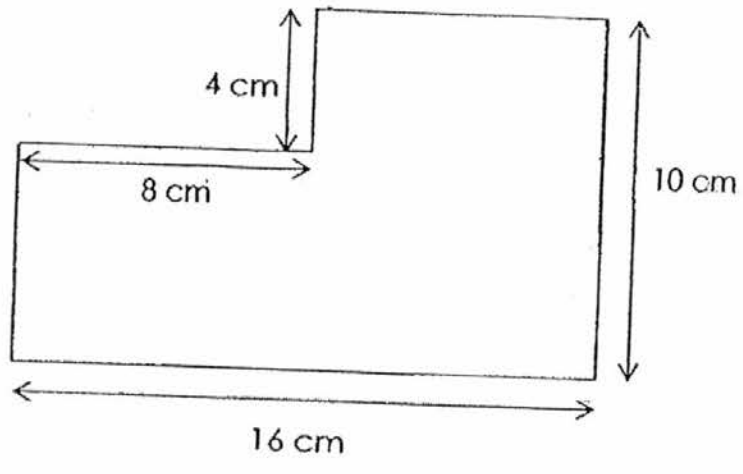
Ans : _____

2. Mr Tan has to paint 4 walls each measuring 4 m by 15 m.
- (a) Find the total area of the 4 walls that Mr Tan has to paint.
- (b) Mr Tan needs to use 0.5 litre of paint for an area of 1 m^2 .
- How many litres of paint does he need to paint the 4 walls?

Ans : (a) _____

(b) _____

3. Look at the figure below.
- a) Find the perimeter of the figure.
 - b) Find the area of the figure.



Ans : a) _____
b) _____

4. Mrs Ong bought 48 oranges. She threw away $\frac{1}{6}$ of them which were rotten and gave away $\frac{1}{5}$ of the remaining oranges. How many oranges did she have left?

Ans : _____

5. Andy gave some erasers to his friends. If each of them received 5 erasers, he would have 3 erasers left. If each of them received 6 erasers, he would be short of 2 erasers. How many erasers did Andy have?

Ans : _____

6. Bala bought two T-shirts and a pair of pants for \$80.
The pair of pants costs 3 times as much as the two T-shirts.
- a) What was the cost of each T-Shirt?
 - b) What was the cost of the pair of pants?

Ans : a) _____

b) _____

7. The Swimming team in a school bought an equal number of jackets and T-shirts.

Each jacket cost \$23 and each T-shirt cost \$8.

The team paid \$184 for the T-Shirts.

What was the total amount of money spent?

Ans : _____

8. A container when totally filled with water weighs 1778g.

When it is $\frac{1}{4}$ full, its mass is 578g.

What is the mass of the container when it is empty?

Ans : _____

9. Mrs Lee is 30 years older than her daughter, Jane.
In 6 years' time, Mrs Lee will be 3 times as old as Jane.
- (a) How old is Jane now?
(b) Jane's brother is 3 years younger.
How old is her brother now ?

Ans :(a) _____
(b) _____

10. Weiming bought a video game set for \$75.
He paid the exact amount in \$10-notes and \$5-notes.
He gave the shopkeeper 9 notes in all.
How many \$10-notes did weiming use?

Ans : _____

End-of- Paper

EXAM PAPER 2016 (P4)

SCHOOL : TAO NAN

SUBJECT : MATHEMATICS

TERM : SA1

Q1	Q2	Q3	Q4	Q5	Q6	Q7	Q8	Q9	Q10
3	3	3	3	2	4	4	4	2	2

11) Eighty-six thousand, seven hundred and thirty-five.

12) 8720

13) R1

14) 136°

16) $7/6$, $12/3$, $9/4$

17) 87

18) 34

19) 658

20) $1/4$

21) 39

22) 300

23) $5 \frac{2}{9}$

24) 30

25)

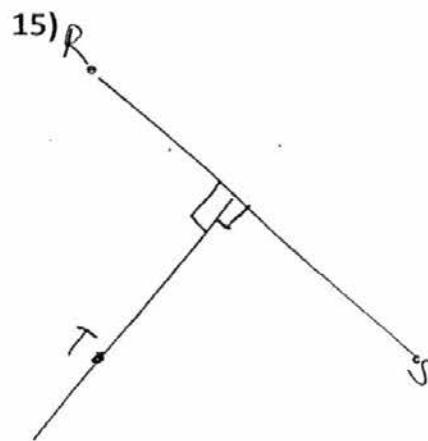
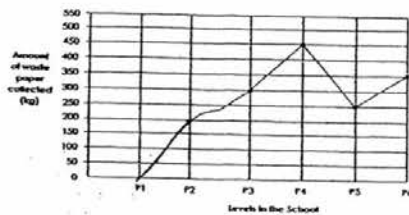
26) P6

27) 2

28) 36

29) 48

30)



Paper 2

1) $278 - 29 = 249$

$$278 + 249 = 527$$

$$800 - 527 = 273$$

There were 273 comic books in the third box.

2)a) $4 \times 15 = 60$

$$60 \times 4 = 240$$

The total area of the four walls is 240m²

b) $240 \times 2 = 480$

He needs 480 litres of paint to paint 4 walls.

3)a) $10 - 4 = 6$

$$16 - 8 = 8$$

$$8 + 8 = 16$$

$$16 + 16 = 32$$

$$4 + 6 = 10$$

$$10 + 10 = 20$$

$$20 + 32 = 52$$

The perimeter of the figure is 52cm

b) $6 \times 16 = 96$

$$4 \times 8 = 32$$

$$32 + 96 = 128$$

The area of the figure is 128cm²

4) $48 \div 6 = 8$

$8 \times 2 = 16$

$48 - 16 = 32$

She have left 32 oranges left.

5) Andy have 28 erasers.

6)a) $80 \div 8 = 10$

The cost of each T-shirt is \$10

b) $6 \times 10 = 60$

The cost of the pair of pants is \$60

7) $184 \div 8 = 23$

$23 \times 23 = 529$

$529 + 184 = 713$

The total money spent is \$713

8) $1779 - 578 = 1200$

$1200 \div 3 = 400$

$578 - 400 = 178$

The mass of the container is 178g.

9)a) $30 \div 2 = 15$

$15 - 6 = 9$

Jane is 9 years old now.

b) $9 - 3 = 6$

Her brother is 6 years old.

$$10)10 \times 9 = 90$$

$$90 - 75 = 15$$

$$10 - 5 = 5$$

$$15 \div 5 = 3 \text{ (\$5-notes)}$$

$$9 - 3 = 6 \text{ (\$10-notes)}$$

Weiming use 6 \$10-notes.