



**Rosyth School**  
**Weighted Assessment**  
**Mathematics**  
**Primary 4**  
**2019**

Name : \_\_\_\_\_ (     )

Total 

|    |
|----|
| 40 |
|----|

Class : Pr 4 -

Duration: 50 min

Date : 26<sup>th</sup> August 2019

Parent's Signature: \_\_\_\_\_

Instructions to Pupils:

1. Do not turn over this paper until you are told to do so.
2. This paper consists of 16 questions.
3. Follow all instructions carefully.
4. Answer all questions.

|                  | Maximum Marks | Marks Obtained |
|------------------|---------------|----------------|
| <b>Section 1</b> | <b>24</b>     |                |
| <b>Section 2</b> | <b>16</b>     |                |
| <b>Total</b>     | <b>40</b>     |                |

\* This paper consists of 9 printed pages altogether (including the cover page).

**Section 1 (24 marks)**

Questions 1 to 12 carry 2 marks each. Write your answers in the spaces provided. Show your workings clearly. For questions which require units, give your answers in the units stated.

**All diagrams in this paper are not drawn to scale unless stated otherwise.**

1. Some factors of 75 are 1, 3, 25 and 75.

What are the other two factors of 75?

Ans: \_\_\_\_\_ and \_\_\_\_\_

Do not write  
in this space

2. Fill in the missing numbers.

$$78.005 = 70 + \boxed{\text{(a)}} + \frac{\boxed{\text{(b)}}}{1000}$$

Ans: (a) \_\_\_\_\_

(b) \_\_\_\_\_

3. Round 21.175 to the nearest tenth.

Ans: \_\_\_\_\_

4. Find the sum of 132.76 and 9.2.

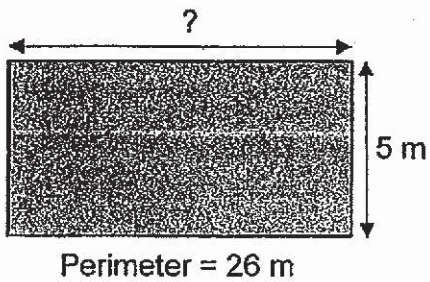
Ans: \_\_\_\_\_

5. Find the difference between 25.6 and 12.54.

Do not write  
in this space

Ans: \_\_\_\_\_

6. Find the length of the rectangle given its perimeter.



Ans: \_\_\_\_\_ m

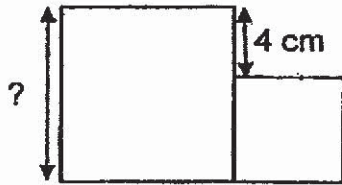
7. Study the pattern below. The 100<sup>th</sup> letter is \_\_\_\_\_.

**A A B B C A A B B C A A B B C A A . . .**

Ans: \_\_\_\_\_



11. The figure below is made up of 2 squares.  
The smaller square has a perimeter of 36 cm.  
Find the length of the bigger square.



Ans: \_\_\_\_\_ cm

Do not write  
in this space

12. Desmond had a metal wire measuring 4.92 m long. He cut them into 6 shorter pieces of equal length and had 0.9 m left. What was the length of each shorter piece?

Ans: \_\_\_\_\_ m

**Section 2 (16 marks)**

Questions 13 to 16 carry 4 marks each. Show your working clearly and write your answers in the spaces provided. The number of marks available is shown in brackets [ ] at the end of each question or part-question.

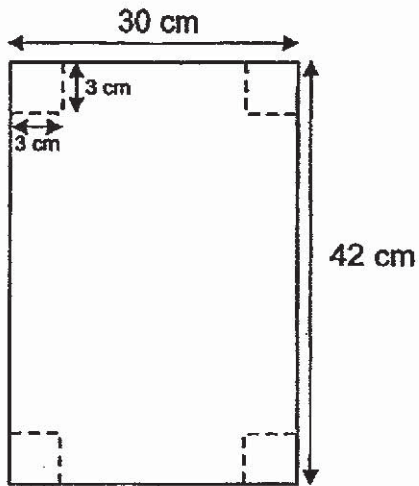
---

Do not write  
in this space

13. Adam, Ben and Cody have a total of 585 sweets. Adam has twice as many sweets as Ben. Cody has 3 times as many sweets as Adam. How many sweets does Adam have?

Ans: \_\_\_\_\_ [4]

14. Ally has a piece of paper measuring 30 cm by 42 cm. She cut off four squares of sides 3 cm from each of the 4 corners. What is the area of the remaining piece of paper?



Do not write  
in this space

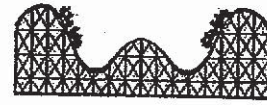
Ans: \_\_\_\_\_ [ 4 ]



15. Use the information below to answer questions below.

Do not write  
in this space

## WORLD THEME PARK



Promotional Ticket Prices:

| Ticket Type | Adult<br>(Age 13-59) | Child<br>(Age 4-12) | Senior citizens<br>(Age 60 and above) |
|-------------|----------------------|---------------------|---------------------------------------|
| Weekday     | \$54                 | \$38.40             | \$25.60                               |



### Weekend Package deal

2 adults and 2 children at \$170!

Or 2 adults, 1 child and 1 senior citizen at \$160!

Additional adult: \$56 each

Additional child: \$40 each

Additional senior citizen: \$28 each

Mr Raju, his wife and their 2 children, aged 4 and 10, went to the theme park on a Wednesday.

- (a) How much did Mr Raju pay in total?
- (b) How much would Mr Raju save if his wife, his 2 children and he were to go on a Saturday?

Ans: (a) \_\_\_\_\_ [2]

(b) \_\_\_\_\_ [2]



16. A box contains 250 green, red and yellow straws. There were three times as many yellow straws as red straws. There were 20 more red straws than green straws. How many red straws were there?

Do not write  
in this space

Ans: \_\_\_\_\_ [4]

End of paper



SCHOOL : ROSYTH PRIMARY SCHOOL

LEVEL : PRIMARY 4

SUBJECT : MATH

TERM : 2019 CA2

---

1)5 and 15

2)a)8 b)5

3)21.2

4)141.96

5)13.06

6)8m

7)C

8)90.4 , 9.4 , 9.04 , 0.94

9)13.75 + 3.90 = 17.65

$$17.65 + 13.75 = \$31.40$$

10)0.5 x 6 = 3.0

$$3.00 \div 4 = 0.70$$

11)36 ÷ 4 = 9

$$9 + 4 = 13 \text{ cm}$$

12)4.92 - 0.90 = 4.02

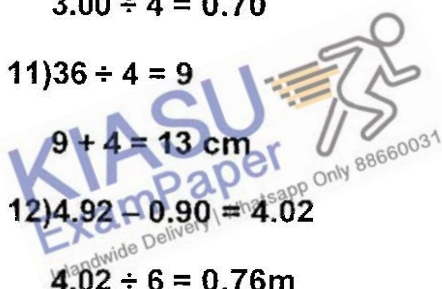
$$4.02 \div 6 = 0.76\text{m}$$

13)585 ÷ 9 = 65

$$65 \times 2 = 130$$

14)42 x 30 = 1260

$$1260 - 36 = 1224\text{cm}^2$$



15)a)  $54 + 54 = 108$

$38.40 + 38.40 = 76.80$

$76.80 + 108 = \$184.80$

b)  $\$14.80$

16)  $20 \times 4 = 80$

$250 - 80 = 170$

$170 \div 5 = 34$

$34 + 20 = 54$



