



NAN HUA PRIMARY SCHOOL
END OF YEAR EXAMINATION – 2020
PRIMARY 4
MATHEMATICS

INSTRUCTIONS TO CANDIDATES

1. Write your name, register number and class in the space provided.
2. Do not turn over the page until you are told to do so.
3. Follow all instructions carefully.
4. Answer all questions.
5. Shade your answers in the Optical Answer Sheet (OAS) provided for Questions 1 - 20.

Marks Obtained

Section	Maximum Marks	Actual Marks
A	40	
B	40	
C	20	
Total	100	

Name : _____ ()

Class : Pr 4 _____

Date : 29 October 2020

Duration: 1 h 45 min

Parent's Signature : _____

Section A: Multiple Choice Questions

Questions 1 to 20 carry 2 marks each.

For each question, four options are given. One of them is the correct answer.

Make your choice (1, 2, 3 or 4) and shade your answer on the Optical Answer Sheet.
(40 marks)

1. Which of the following numbers when rounded to the nearest ten becomes 60 500?

- (1) 60 444
- (2) 60 496
- (3) 60 506
- (4) 60 554

2. Which of the following is a multiple of both 3 and 4?

- (1) 7
- (2) 18
- (3) 28
- (4) 36

3. Which of the following is a factor of both 24 and 40?

- (1) 10
- (2) 8
- (3) 7
- (4) 6

4. Write $2\frac{6}{20}$ as a decimal.

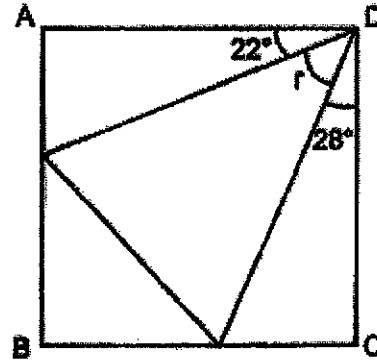
- (1) 2.62
- (2) 2.6
- (3) 2.3
- (4) 2.03

5. What is the number when 100.52 is rounded to 1 decimal place?

- (1) 100.0
- (2) 100.5
- (3) 100.6
- (4) 101.0

6. In the figure, ABCD is a square. Find $\angle r$.

- (1) 68°
- (2) 62°
- (3) 50°
- (4) 40°



7. Arrange the following fractions from the greatest to the smallest.

$$\frac{1}{2}, \frac{3}{4}, \frac{5}{8}$$

- (greatest) (smallest)
- (1) $\frac{3}{4}, \frac{1}{2}, \frac{5}{8}$
 - (2) $\frac{5}{8}, \frac{3}{4}, \frac{1}{2}$
 - (3) $\frac{3}{4}, \frac{5}{8}, \frac{1}{2}$
 - (4) $\frac{1}{2}, \frac{3}{4}, \frac{5}{8}$

8. Below are the operating hours of Happy Pets Veterinary.

Happy Pets Veterinary	
Mondays to Fridays	8.15 a.m. – 9.45 p.m.
Saturdays	9.45 a.m. – 7.30 p.m.
Sundays	Closed

For how long is the veterinary open on Saturdays?

- (1) 2 h 15 min
 (2) 9 h 15 min
 (3) 9 h 45 min
 (4) 12 h 30 min
9. At the museum, $\frac{5}{7}$ of the visitors were adults and the rest were children.

There were 105 adults, how many children were there?

- (1) 42
 (2) 45
 (3) 63
 (4) 147
10. Ali woke up at 7.50 a.m. this morning. He slept for 9 h 35 min.
 What time did he sleep last night?

- (1) 9.15 p.m.
 (2) 9.35 p.m.
 (3) 10.15 p.m.
 (4) 10.35 p.m.

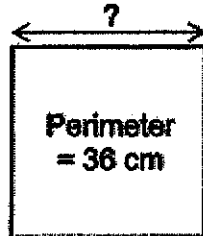
11. The table below shows the price of tickets for a concert.

Type of ticket	Category A	Category B
Adult	\$45.95	\$50.95
Child	\$32.55	\$36.55

What is the total cost of 1 adult ticket from Category A and 1 child ticket from Category B?

- (1) \$78.50
 (2) \$82.50
 (3) \$83.50
 (4) \$87.50

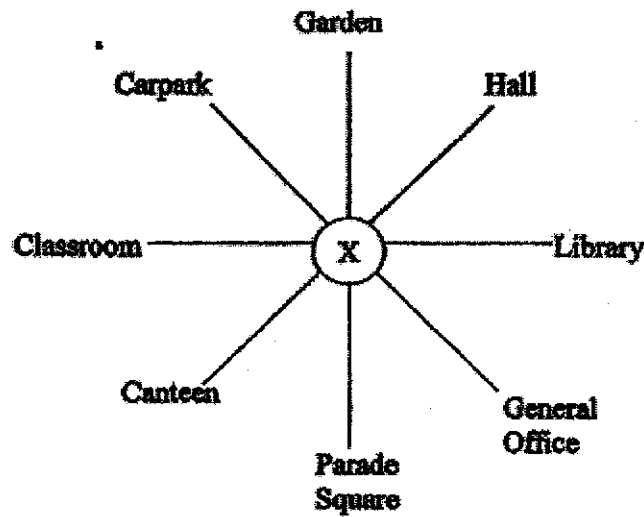
12. What is the length of the square?



- (1) 18 cm
 (2) 9 cm
 (3) 6 cm
 (4) 4 cm
13. The height of a seedling is 7.2 cm. It grows 0.6 cm every day.
 What is the seedling's height after 3 days?

- (1) 1.8 cm
 (2) 7.8 cm
 (3) 8.4 cm
 (4) 9.0 cm

14. Polly is standing at X. After making a 225° clockwise turn, she ends up facing the carpark. Which direction was she facing at first?

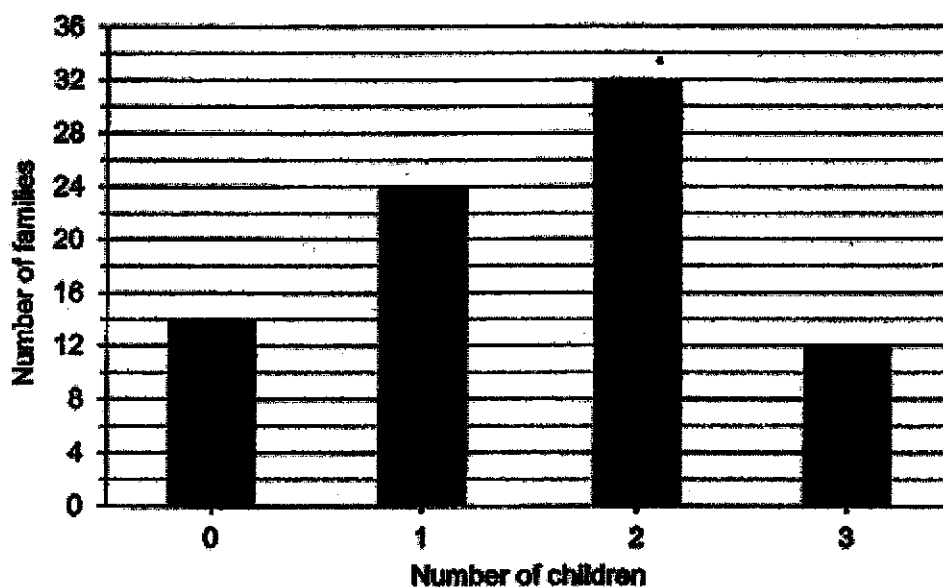


- (1) Hall
 (2) Canteen
 (3) Library
 (4) Parade Square
15. Ray used $\frac{1}{2}$ ℓ of paint for his bedroom and $\frac{7}{8}$ ℓ of paint for his living room. He had 2ℓ of paint at first. What is the volume of paint Ray had left?

- (1) $\frac{3}{8}$ ℓ
 (2) $\frac{5}{8}$ ℓ
 (3) $1\frac{3}{8}$ ℓ
 (4) $3\frac{3}{8}$ ℓ

16. 15 650 children visited the zoo last month. There were 5790 more children than adults. How many people visited the zoo altogether last month?
- (1) 9860
 - (2) 21 440
 - (3) 25 510
 - (4) 37 090
17. Jaime had 4 times as many beads as Kenny. Jaime had 800 beads. After Jaime gave Kenny some beads, they each had the same number of beads. How many beads did Jaime give to Kenny?
- (1) 100
 - (2) 200
 - (3) 300
 - (4) 400
18. Calli has fewer than 15 coins. When she packs the coins into bags of 3, she has no coins left. When she packs the coins into bags of 4, she has 1 coin left. How many coins does Calli have?
- (1) 5
 - (2) 6
 - (3) 9
 - (4) 12

The bar graph below shows the number of children in the families living in a block of flats. Study the graph carefully and answer questions 19 and 20.



19. How many families had no children?

- (1) 12
- (2) 13
- (3) 14
- (4) 15

20. Find the total number of children in this block of flats.

- (1) 68
- (2) 82
- (3) 124
- (4) 138

Section B: Open-ended Questions

Questions 21 to 40 carry 2 marks each. Show your working clearly and write your answers in the spaces provided. For questions which require units, give your answers in the units stated. (40 marks)

21. Arrange the following numbers from the greatest to the smallest.

369 , 936 , 963 , 366

_____ , _____ , _____ , _____
 (greatest) , _____ , _____ , _____ (smallest)

22. What is the remainder when 1014 is divided by 8?

Ans:

23. Write the missing number in the number pattern below.

13 000 , 12 400 , 11 800 , 11 200 , _____ , 10 000

Ans:

24. $1390 \times 5 =$ _____

Ans:

25. Express 0.7 as a fraction.

Ans:

26. $\frac{2}{5} = \frac{6}{\square}$

What is the missing number in the box?

Ans:

27. Find the value of $1 - \frac{1}{8} - \frac{1}{4}$

Ans:

28. Arrange the following numbers from the smallest to the greatest.

$\frac{2}{5}$, 0.405 , 0.045

(smallest) , (greatest)

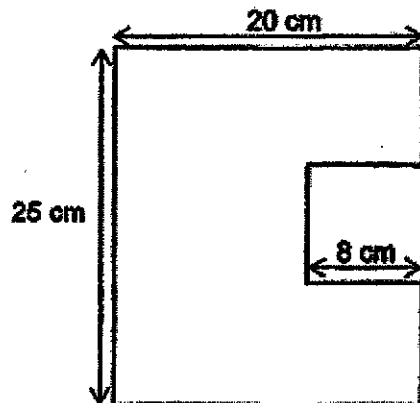
29. Find the value of 5.94×6 .

Ans:

30. The mass of 3 papayas and 1 watermelon is 1215 g. A watermelon weighs twice as much as a papaya. What is the mass of 1 papaya?

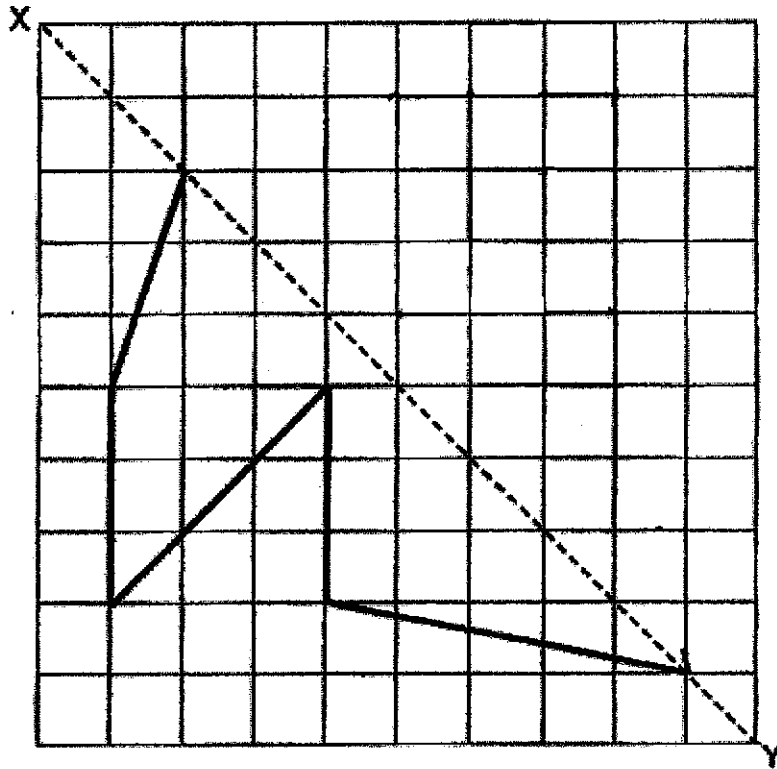
Ans: g

31. Find the perimeter of the figure below.

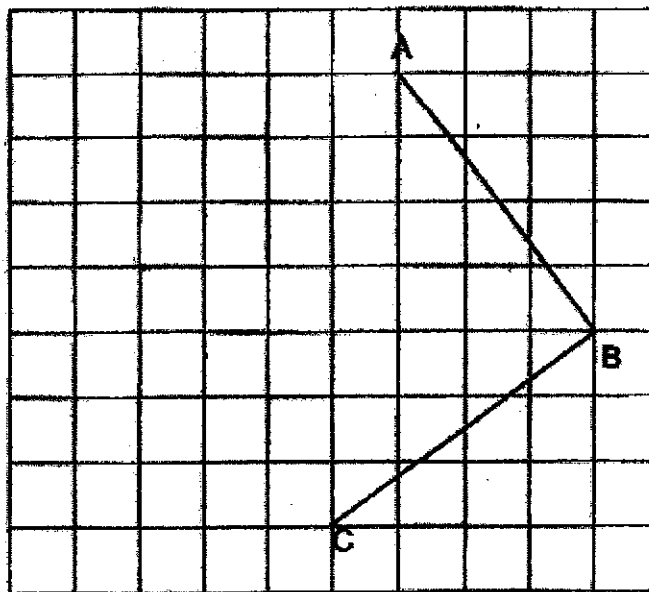


Ans: cm

32. Complete the symmetric figure below with XY as the line of symmetry.



33. In the grid below, draw and label the square $ABCD$.
Lines AB and BC have been drawn for you.



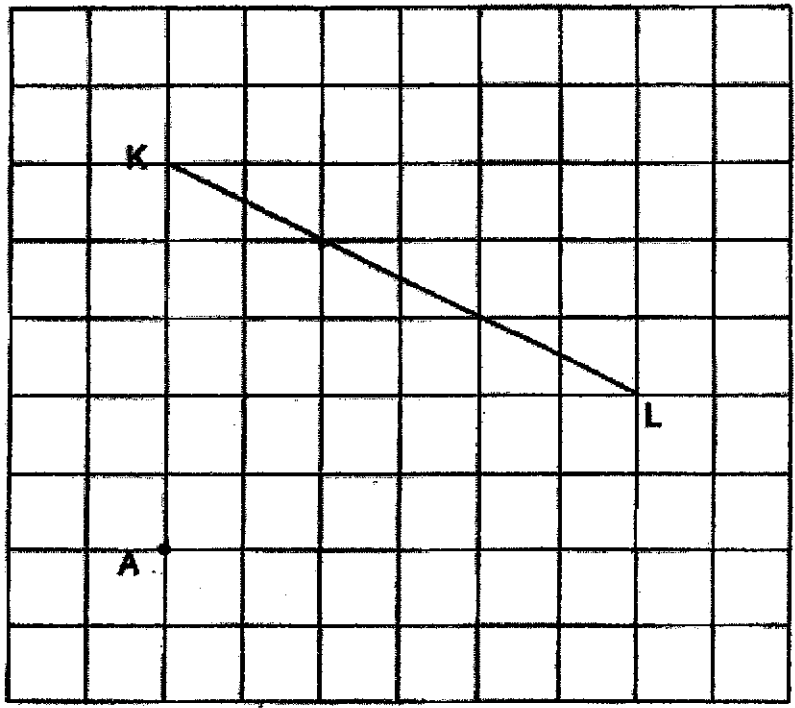
34. Mel made 9 large identical stars using wire. She had 0.84 m left. If she had 12 m of wire at first, what was the length of wire she used to make each star?

Ans: m

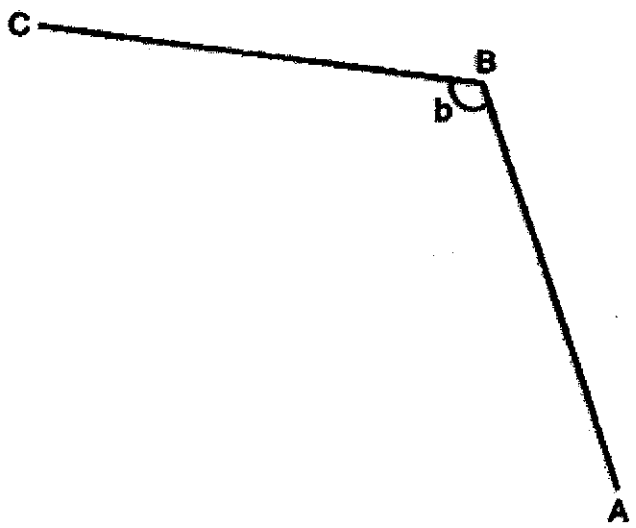
35. Miss Lim had 1 200 stickers. She kept 528 stickers for herself and gave the rest to some students. Each student received 7 stickers. How many students were there?

Ans:

36. In the grid, draw a line that is perpendicular to KL and passing through point A.



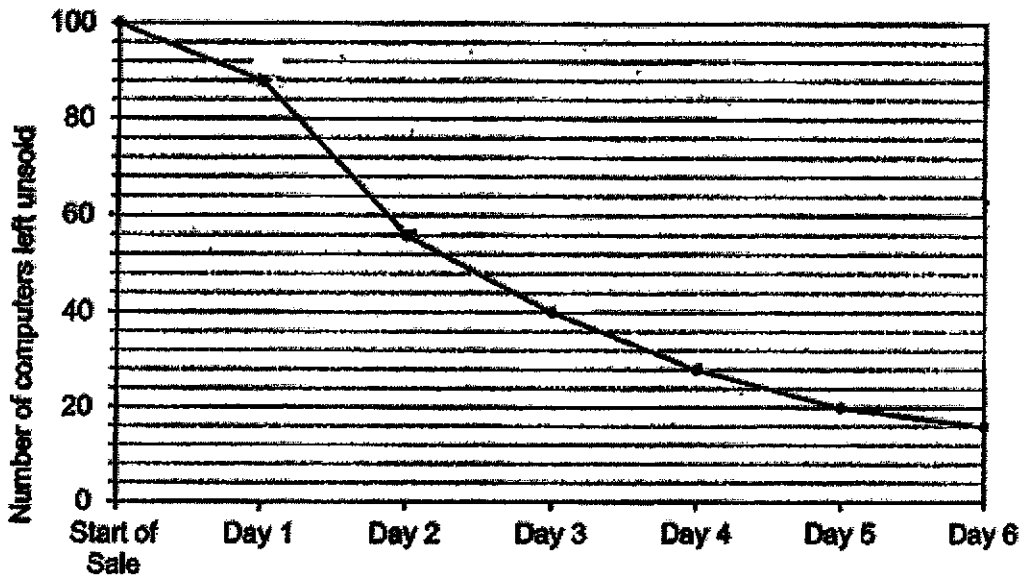
37. Measure and write down the size of $\angle b$.



Ans: °

A company sold a total of 100 computers during a 7-day sale. The line graph below shows the number of computers left unsold at the end of each day.

Study the graph carefully and answer questions 38 to 40.



38. What was the total number of computers sold during this 7-day sale? *at the end of day 6?*

Ans:

39. In which one-day period was the most number of computers sold?

Ans: Day to Day

40. What fraction of the computers were left unsold in day 4?

Ans:

Section C

For each of the following questions, show your working clearly and write your answers in the space provided. The number of marks available is shown in brackets [] at the end of question or part-question. (20 marks)

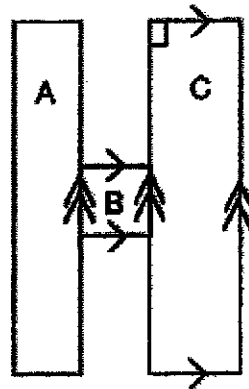
41. Mrs Tan had $\frac{3}{8}$ kg of apples. $\frac{1}{5}$ kg of the apples were rotten. She needed 3 kg of apples to make apple pies. How much more apples did Mrs Tan need to buy?
(Express your answer as a mixed number or fraction in its simplest form)

Ans: _____ [3m]

42. Carin saved twice as much as David. Eric saved \$15.20 less than David. David saved \$47.95 last month, how much money did they save altogether?

Ans: _____ [3m]

43. The figure below, not drawn to scale, is made up of shapes A, B and C.
Shape A is a rectangle.



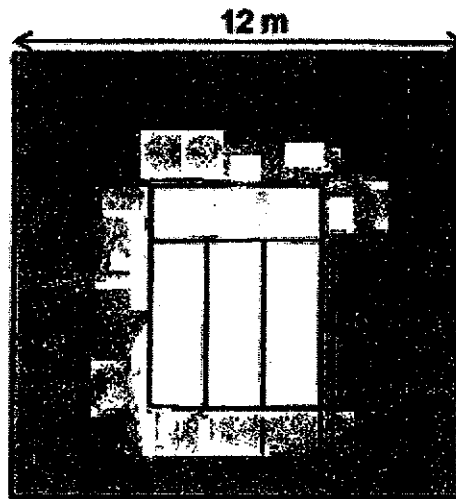
Complete the table below by putting a tick (✓) in the box that best describe the figure [3m]

	Properties	True	False	Not possible to tell
(a)	Shape A has 4 right angles.			
(b)	Shape B is a square.			
(c)	Shape C is a rectangle.			

44. Mr Gopal filled 2 large bottles and 4 small bottles with 6.2 ℓ of lemonade. Each large bottle could hold 0.7 ℓ more than each small bottle. How much lemonade can a small bottle hold?

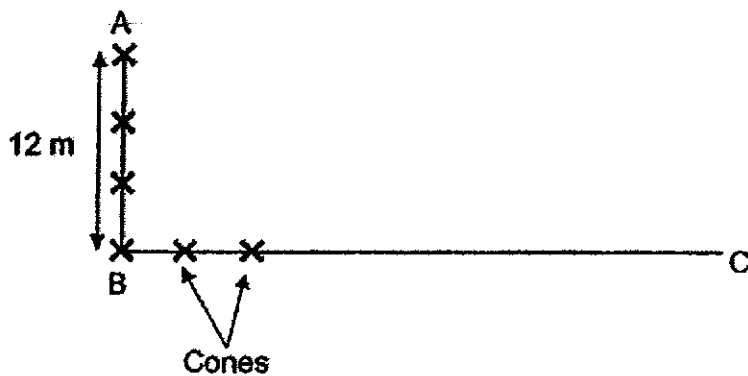
Ans: _____ [3m]

45. The figure below is made up of 1 large square and 4 identical rectangles inside.
The length of the square is 12 m. Each rectangle has a length of 6 m.
Find the area of the shaded part of the figure.



Ans: _____ [4m]

46. A total of 13 cones are placed at an equal distance apart along two lanes AB and BC. Lane AB is 12 m. What is the distance of lane BC?



Ans: _____ [4m]

End of paper ☺

**NAN HUA PRIMARY SCHOOL
END OF YEAR EXAMINATION – 2020
MATHEMATICS - PRIMARY FOUR**

Section A

Q1	Q2	Q3	Q4	Q5	Q6	Q7	Q8	Q9	Q10
2	4	2	3	2	4	3	3	1	3
Q11	Q12	Q13	Q14	Q15	Q16	Q17	Q18	Q19	Q20
2	2	4	3	2	3	3	3	3	3

Section B

Qn No.	Answer
21)	963, 936, 396, 369
22)	6
23)	10 600
24)	6 950
25)	$\frac{7}{10}$
26)	15
27)	$1 - \frac{1}{8} - \frac{1}{4} = 1 - \frac{1}{8} - \frac{2}{8} = \frac{5}{8}$
28)	$0.045, \frac{2}{5}, 0.405$
29)	35.64
30)	$1215 + 5 = 243$
31)	$20 + 20 + 25 + 25 + 8 + 8 = 106$
2)	

<p>33)</p>	
<p>34)</p>	$12 - 0.84 = 11.16$ $11.16 \div 9 = 1.24$
<p>35)</p>	$1\ 200 - 528 = 672$ $672 \div 7 = 96$
<p>36)</p>	
<p>37)</p>	115°
<p>38)</p>	$100 - 16 = 84$
<p>39)</p>	<p>Day 1 to Day 2</p>
<p>40)</p>	$\frac{7}{25}$ or equivalent $(\frac{28}{100}, \frac{14}{50})$

Section C

Qn No.	Answer																
41)	$\frac{3}{8} \text{ kg} - \frac{1}{5} \text{ kg} = \frac{15}{40} \text{ kg} - \frac{8}{40} \text{ kg} = \frac{7}{40} \text{ kg}$ $3 \text{ kg} - \frac{7}{40} \text{ kg} = 2\frac{33}{40} \text{ kg}$																
42)	$\$47.95 \times 4 = \191.80 $\$191.80 - \$15.20 = \$176.60$																
43)	<table border="1"> <thead> <tr> <th>Properties</th> <th>True</th> <th>False</th> <th>Not possible to tell</th> </tr> </thead> <tbody> <tr> <td>Shape A has 4 right angles.</td> <td>✓</td> <td></td> <td></td> </tr> <tr> <td>Shape B is a square.</td> <td></td> <td></td> <td>✓</td> </tr> <tr> <td>Shape C is a rectangle</td> <td>✓</td> <td></td> <td></td> </tr> </tbody> </table>	Properties	True	False	Not possible to tell	Shape A has 4 right angles.	✓			Shape B is a square.			✓	Shape C is a rectangle	✓		
Properties	True	False	Not possible to tell														
Shape A has 4 right angles.	✓																
Shape B is a square.			✓														
Shape C is a rectangle	✓																
44)	$6.2 \text{ t} - 0.7 \text{ t} - 0.7 \text{ t} = 4.8 \text{ t (6 Small)}$ $4.8 \text{ t} + 6 = 0.8 \text{ t}$																
45)	<p>Breadth of rectangle: $6\text{m} + 3 = 2\text{m}$</p> <p>Area of unshaded part: $6 \text{ m} \times 8 \text{ m} = 48 \text{ m}^2$ OR $4 \times 6 \text{ m} \times 2 \text{ m} = 48\text{m}^2$</p> <p>Area of square A: $12 \text{ m} \times 12 \text{ m} = 144 \text{ m}^2$</p> <p>Area of shaded part: (Area of A - Area of unshaded) $144 \text{ m}^2 - 48 \text{ m}^2 = 96 \text{ m}^2$</p>																
46)	<p>Distance bet two consecutive cones (Dist. per gap) $12 \text{ m} + 3 = 4 \text{ m}$</p> <p>Number of gaps along BC: $13 - 4 = 9$</p> <p>Length of BC: (No. of gaps x Dist. per gap) $9 \times 4 \text{ m} = 36 \text{ m}$</p>																