



**MARIS STELLA HIGH SCHOOL (PRIMARY)**

**PRIMARY 5 MATHEMATICS**

**TERM 3 WEIGHTED ASSESSMENT**

**20 AUGUST 2021**

15 questions

30 marks

Total Time: 45 min

<p><b>NAME:</b> _____ (     )</p> <p><b>CLASS: PRIMARY 5</b> _____</p>
--

**YOU ARE NOT ALLOWED TO USE A CALCULATOR.**

**DO NOT OPEN THIS BOOKLET UNTIL YOU ARE TOLD TO DO SO.**

**FOLLOW ALL INSTRUCTIONS CAREFULLY.**

**ANSWER ALL QUESTIONS.**

<b>MARKS OBTAINED</b>		
<b>TOTAL</b>	<b>/ 30</b>	<b>Date:</b> _____



**SECTION A: 8 marks**

Questions 1 to 2 carry 1 mark each. Questions 3 to 5 carry 2 marks each.

For each question, four options are given. One of them is the correct answer.

Make your choice (1, 2, 3 or 4) and write the correct answer in the brackets provided.

1. 2 thousands + 34 hundreds + 16 = \_\_\_\_\_

- (1) 2050
- (2) 2356
- (3) 6416
- (4) 23 416

( )

2. The product of  $\frac{3}{5}$  and  $\frac{1}{2}$  is \_\_\_\_\_.

- (1)  $\frac{2}{3}$
- (2)  $\frac{1}{10}$
- (3)  $\frac{3}{10}$
- (4)  $1\frac{1}{10}$

( )

3. \_\_\_\_\_ x 20 = 208.4

- (1) 10.42
- (2) 20.84
- (3) 1042
- (4) 4168


( )

4.  $\frac{1}{2}$  of Siti's money is equal to  $\frac{3}{4}$  of Lucy's money. Siti had \$120 more than Lucy. How much money did Lucy have?

- (1) \$240  
(2) \$360  
(3) \$480  
(4) \$600

( )

5. Joseph bought a toy car during a sale as shown below. How much was the discount?



**Usual Price: \$80**  
**SALE**  
**60% discount**

- (1) \$12  
(2) \$20  
(3) \$32  
(4) \$48

( )

**SECTION B: 12 marks**

Questions 6 to 7 carry 1 mark each. Questions 8 to 12 carry 2 marks each. Show your working clearly in the space provided for each question and write your answers in the blanks provided. For questions which require units, give your answers in the units stated.

6. Express  $4\frac{5}{9}$  kg as a decimal. Give your answer correct to 2 decimal places.

Do not  
write in  
this  
space.

Answer: \_\_\_\_\_ kg [1]

7. Find the value of  $20 + 4 + (14 - 2) \times 3$ .

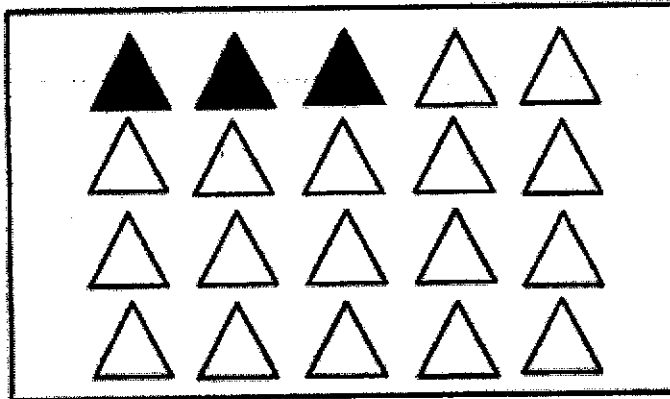
Answer: \_\_\_\_\_ [1]

8. Jason mixed some syrup with water to make some fruit punch. The ratio of the amount of syrup to the amount of water used was 2 : 3. He used 220 ml of syrup for the fruit punch. How much water was used?

Do not write in this space.

Answer: \_\_\_\_\_ ml [2]

9. There are 20 similar triangles pasted on a piece of paper as shown below. How many more triangles have to be shaded so that 35% of these triangles are shaded?



Answer: \_\_\_\_\_ [2]

10. Devi bought a piece of cloth that was 20.4 m long. She used the cloth to make 2 ribbons. She needs 70 cm of the cloth to make each ribbon. What was the length of the cloth left? Leave your answer in metres.

Do not  
write in  
this  
space.

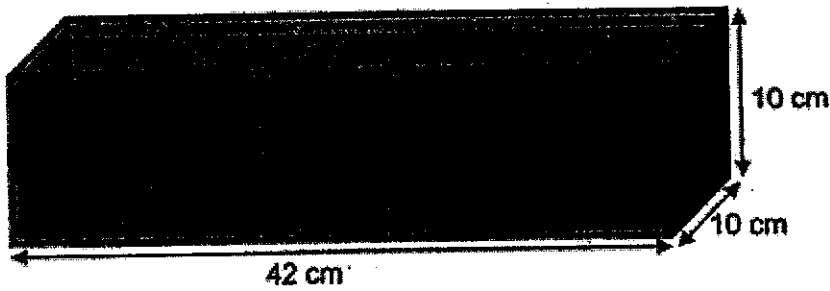
Answer: \_\_\_\_\_ m [2]

11. The ratio of the number of women to the number of men in a hall was 5 : 4. There were 68 more women than men. Then, 280 women left the hall. How many women were there in the hall in the end?

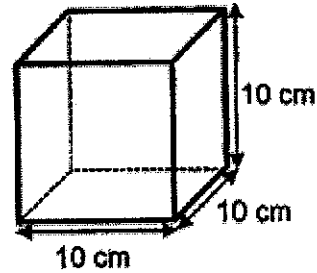
Answer: \_\_\_\_\_ [2]

12. Tank A measures 42 cm by 10 cm by 10 cm. It is completely filled with water. Ellie had 9 cubical containers of edge 10 cm. She poured the water from Tank A to fill each cubical container to its brim, one at a time. What is the greatest number of cubical containers she could fill completely?

Do not write in this space.



Tank A



Cubical container

Answer: \_\_\_\_\_ [2]



**SECTION C: 10 marks**

For questions 13 to 15, show your working clearly and write your answers in the spaces provided. The number of marks available is shown in brackets [ ] at the end of each question or part-question.

13. 4 identical pens and 5 identical bookmarks cost \$15.  
3 identical pens and 2 identical bookmarks cost \$9.50.  
Find the cost of a bookmark.

Do not  
write in  
this  
space.

Answer: \_\_\_\_\_ [3]

SCORE   
(Go on to the next page)

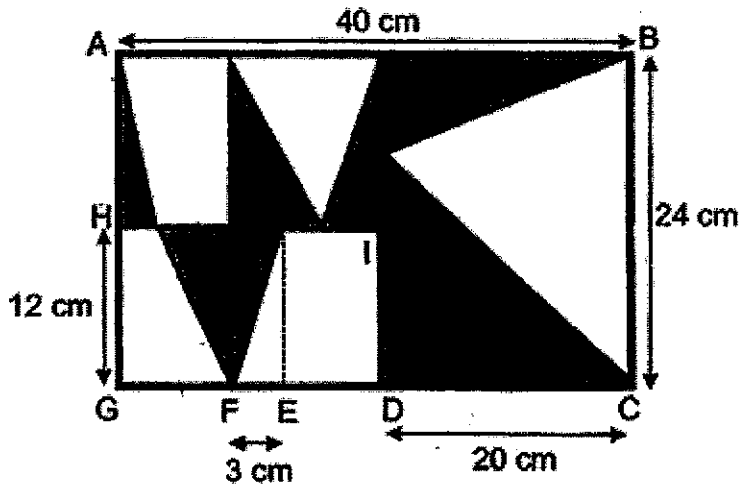
14.  $\frac{2}{5}$  of the vehicles parked at the carpark were cars.  $\frac{5}{9}$  of the remaining vehicles were vans. The rest were buses. There were 90 more cars than buses. How many vehicles were there in the carpark?

Do not write in this space.

Answer: \_\_\_\_\_ [4]

15. The figure below shows Rectangle ABCG with some triangles in it. Line HI is a straight line. Line AB = 40 cm, BC = 24 cm, CD = 20 cm, FE = 3 cm and GH = 12 cm. Find the total area of the shaded parts.

Do not write in this space.



Answer: \_\_\_\_\_ [3]

**End of Paper**  
Please check your work carefully

SCORE

www.testpapersfree.com

**SCHOOL : MARIS STELLA HIGH SCHOOL (PRIMARY)**  
**LEVEL : PRIMARY 5**  
**SUBJECT : MATH**  
**TERM : 2021 TERM 3 WEIGHTED ASSESSMENT**

---

Q 1	Q2	Q3	Q4	Q5
3	3	1	1	4

Q6)	$5 \div 9 \approx 0.56$ $4 + 0.56 = 4.56$ <b>Ans: 4.56</b>
Q7)	$14 - 2 = 12$ $20 \div 4 = 5$ $5 + 12 \times 3 = 41$ <b>Ans: 41</b>
Q8)	$220 \div 2 = 110$ $110 \times 3 = 330$ <b>Ans: 330mℓ</b>
Q9)	$20 \times \frac{35}{100} = 7$ $7 - 3 = 4$ <b>Ans: 4 triangles</b>
Q10)	$20.4 - 1.4 = 19$ <b>Ans: 19m</b>
Q11)	$68 = 1u$ $68 \times 5 = 340$ $340 - 280 = 60$ <b>Ans: 60 women</b>
Q12)	$42 \times 10 \times 10 = 4200$ $10 \times 10 = 100$ $4200 \div 100 = 4 \text{ R } 200$ <b>Ans: 4 cubical containers</b>
Q13)	$4P + 5B = 15 \rightarrow X$

	$3P + 2B = 9.50 \rightarrow Y$ $X \times 3 = 12P + 15B = 15 \times 3 = 45$ $Y \times 4 = 12P + 8B = 9.50 \times 4 = 38$ $15B - 8B = 7B$ $45 - 38 = 7$ $7 \div 7 = 1$ <b>Ans: \$1</b>
Q14)	<b>Cars : Total : Remaining vehicles</b> <b>2 : 5 : 3</b>  <b>Vans : Buses : Total remaining vehicles</b> <b>5 : 4 : 9</b>  <b>Cars : Vans : Buses : Total</b> <b>6 : 5 : 4 : 15</b>  $6u - 4u = 2$ $90 \rightarrow 2u$ $1u = 90 \div 2 = 45$ $45 \times 15 = 975$ <b>Ans: 675 vehicles</b>
Q15)	$\frac{1}{2} \times 20 \times 12 = 120$ $\frac{1}{2} \times 20 \times 24 = 240$ $\frac{1}{2} \times 3 \times 12 = 18$ $240 + 120 = 360$ $360 + 18 = 378$ <b>Ans: 378 cm<sup>2</sup></b>