



Rosyth School
Weighted Assessment 2
MATHEMATICS PAPER 1
Primary 5
2021

Name: _____

Register No. _____

Class: Pr 5 - _____ Group: _____

Date: 24 August 2021

Parent's Signature: _____

Time: 25 min

Instructions to Pupils:

1. Do not open this booklet until you are told to do so.
2. Follow all instructions carefully.
3. Show your workings clearly as marks are awarded for correct working.
4. Write your answers in this booklet.
5. You are not allowed to use a calculator.
6. Answer all questions.

Questions	Maximum Mark	Marks Obtained
Q 1 – 5	5	
Q 6 – 14	15	
Q15 - 19	16	
Total	36	

* This booklet consists of 7 pages (including this cover page).

This paper is not to be reproduced in part or whole without the permission of the Principal.

Section A - MCQ

Questions 1 to 5 carry 1 mark each. For each question, four options are given. One of them is the correct answer.

Make your choice (1, 2, 3 or 4) and write your answer in the brackets provided.

All diagrams in this paper are not drawn to scale unless stated otherwise.

(5 marks)

1. $3 + \frac{1}{10} + \frac{5}{100} =$ _____

(1) 0.315

(2) 3.015

(3) 3.105

(4) 3.150

()

2. Which of the following is the same as 6080 g?

(1) 6 kg 8 g

(2) 6 kg 80 g

(3) 60 kg 8 g

(4) 60 kg 80 g

()

3. 400 clips cost \$40.
What is the cost of one clip?

(1) \$0.01

(2) \$0.10

(3) \$1.00

(4) \$10.00

()

4. Rayson bought a bottle of soda from a stall.
Which of the following is likely to be the capacity of the bottle of soda?

- (1) 40 mL
- (2) 40 l
- (3) 400 mL
- (4) 400 l



()

5. In a pencil case, there are 25 markers. 11 of them are red, 5 of them are green and the rest are yellow. What percentage of the markers in the pencil case are yellow?

- (1) 9%
- (2) 16%
- (3) 36%
- (4) 45%

()

Go on to Section B

BLANK PAGE

Section BDo not write
in this space

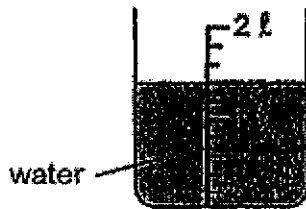
Questions 6 and 8 carry 1 mark each. Questions 9 to 14 carry 2 marks each. Show your workings clearly in the space provided for each question and write your answers in the spaces provided. For questions which require units, give your answers in the units stated.

All diagrams in this paper are not drawn to scale unless stated otherwise.
(15 marks)

6. Find the sum of 10.53 and 49.6.

Ans: _____

7. How much water (in ml) is in the container?



Ans: _____ ml

8. Joe had 250 stickers. He gave 30% of his stickers away. How many stickers had he left?

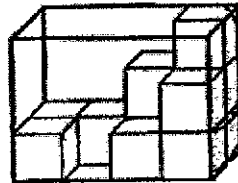
Ans: _____

9. The length of a piece of string is 3.15 m long. There were 8 such pieces of strings. What is the total length of the strings?
Give your answer in centimetres.

Do not write
in this space

Ans: _____ cm

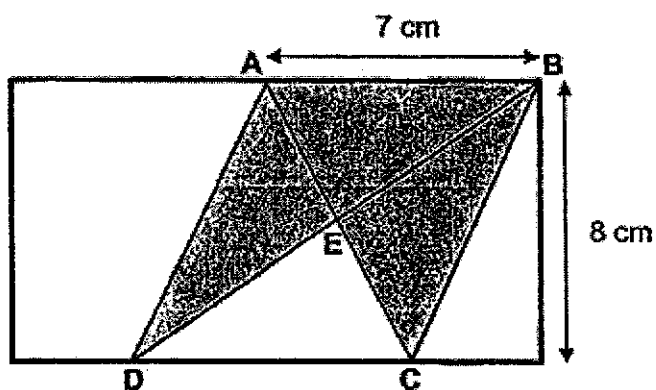
10. The figure shows a rectangular glass box partly filled with 1-cm cubes. How many more 1-cm cubes are needed to fill the box completely?



Ans: _____

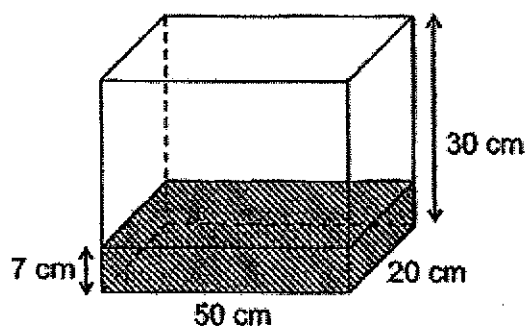
11. Look at the diagram below. Triangle ABE has an area of 14 cm^2 . Find the area of the figure ABCED.

Do not write
in this space



Ans: _____ cm^2

12. How much more water (in l) is needed to fill the tank to its brim?



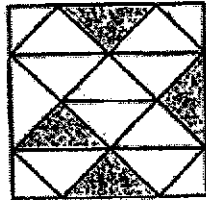
Ans: _____ l

13. Mdm Rosie had 8 kg of flour. She used 5.55 kg of flour and packed the remainder equally into 9 bags. What was the mass of each bag in kilograms?

Do not write
in this space

Ans: _____ kg

14. What percentage of the figure below is shaded?



Ans: _____ %



Rosyth School
Weighted Assessment 2
MATHEMATICS PAPER 2
Primary 5
2021

Name: _____

Register No. _____

Class: Pr 5 - _____

Group: _____

Date: 24 August 2021

Parent's Signature: _____

Time: 30 min

Instructions to Pupils:

1. Do not open this booklet until you are told to do so.
2. Follow all instructions carefully.
3. Show your workings clearly as marks are awarded for correct working.
4. Write your answers in this booklet.
5. You are allowed to use a calculator.
6. Answer all questions.

Questions	Maximum Mark	Marks Obtained
Q15 - 19	16	

* This booklet consists of 5 pages (including this cover page).

This paper is not to be reproduced in part or whole without the permission of the Principal.

For Questions 15 to 19, show your working clearly in the space provided for each question and write your answers in the spaces provided. The number of marks available is shown in brackets [] at the end of each question or part-question. For questions which require units, give your answers in the units stated.

All diagrams in this paper are not drawn to scale unless stated otherwise.
(16 marks)

15. A repeated pattern is formed using numbers 0 and 2. The first 18 numbers are shown below. What is the sum of the first 45 numbers?

2	0	0	2	2	2	0	0	2	2	2	0	0	2	2	2	0	0...
1 st	2 nd																18 th

Ans: _____ [2]

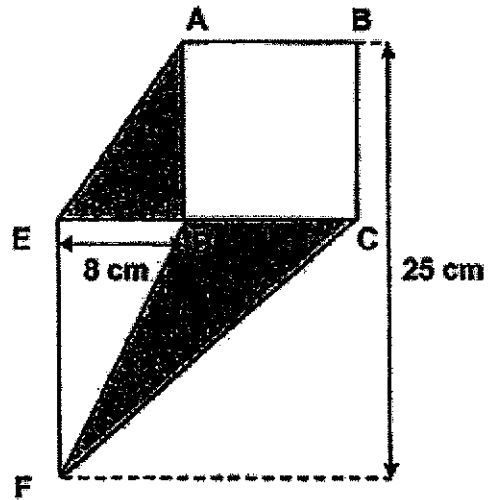
16. Adil has some cards. If he gives each of his friends 5 cards, there is no remainder. If he gives each of them 3 cards instead, he will have 36 cards left. How many cards does Adil have?

Ans: _____ [3]

Do not write
in this space



17. In the figure below, ABCD is a square with an area of 100 cm^2 . ADE and CDF are triangles. Given that $DE = 8 \text{ cm}$, find the area of the shaded region. Do not write in this space



Ans: _____ [3]



18. In a shop, candles are sold only in boxes. A box of 5 short candles costs \$3 and a box of 7 long candles costs \$9. Sonia bought an equal number of short and long candles. She paid \$168 more for the long candles than the short candles.

- (a) How many short candles did Sonia buy?
(b) How much did Sonia pay in total?

Do not write
in this space

Ans: a) _____ [3]

b) _____ [1]



19. Beverly wanted to paint 34 identical small boxes and 12 identical large boxes. The amount of paint she used to paint 2 large boxes was the same as that for 5 small boxes. She painted 11 small boxes and 12 large boxes with 82 l of paint.

Do not write
in this space

- a) How much paint was needed to paint 1 small box?
- b) How many litres of paint did she need to paint all the boxes?

Ans: a) _____ [2]

b) _____ [2]

SCHOOL : ROSYNTH PRIMARY SCHOOL
 LEVEL : PRIMARY 5
 SUBJECT : MATH
 TERM : 2021 WA2

PAPER 1 BOOKLET A

Q 1	Q2	Q3	Q4	Q5
4	2	2	3	3

PAPER 1 BOOKLET B

Q6)	60.13
Q7)	1400mℓ
Q8)	175 stickers
Q9)	$3.15 \times 100 = 315$ $315 \times 8 = 2520$ Ans: 2520cm
Q10)	Capacity: $4 \times 2 \times 3 = 24$ No. of cubes: $7 + 4 = 11$ Cubes needed: $24 - 11 = 13$ Ans: 13 cubes
Q11)	$14 \times 3 = 42$ Ans: 42cm ²
Q12)	Height needed: $30 - 7 = 23$ Water needed: $50 \times 20 \times 23 = 23000$ $23000\text{cm}^3 = 23\ell$ Ans: 23ℓ
Q13)	Remainder: $6 - 5.55 = 0.45$ Each bag: $0.45 \div 9 = 0.05$ Ans: 0.05kg
Q14)	Total: $12 + 4 = 16$ $\frac{4}{16} \times 100 = 25$ Ans: 25%

PAPER 2

Q15)	<p>Every group of (20022) has a sum of 6 Number of numbers in 1 group is 5 $45 \div 5 = 9$ $9 \times 6 = 54$ Ans: 54</p>									
Q16)	<p>No remainder</p> <table border="1" data-bbox="279 425 1337 465"> <tr> <td>5</td> <td>5</td> <td>5</td> <td>...</td> </tr> </table> <p>Remainder</p> <table border="1" data-bbox="279 497 1337 537"> <tr> <td>3</td> <td>3</td> <td>3</td> <td>...</td> <td>36</td> </tr> </table> <p>$5 - 3 = 2$ $36 \div 2 = 18$ $18 \times 5 = 90$ Ans: 90 cards</p>	5	5	5	...	3	3	3	...	36
5	5	5	...							
3	3	3	...	36						
Q17)	<p>Length of ABCD: $100 \div 10 = 10$ AOE: $10 \times 8 \times \frac{1}{2} = 40$ CDF: $15 \times 10 \times \frac{1}{2} = 75$ Total: $40 + 75 = 115$ Ans: 115cm^2</p>									
Q18)	<p>Short $5 \rightarrow \\$3$ $35 \rightarrow \\$3 \times \\$7 = \\$21$</p> <p>Long $7 \rightarrow \\$9$ $35 \rightarrow \\$9 \times \\$5 = \\$45$</p> <p>a) 1 set diff: $45 - 21 = 24$ No. of sets: $168 \div 24 = 7$ $S - 35 \times 7 = 245$ Ans: 245 candles</p> <p>b) Short candles: $3 \times 7 \times 7 = 147$ Long candles: $9 \times 5 \times 7 = 315$ Total: $315 + 147 = 462$ Ans: \$462</p>									
Q19)	<p>a) 2LB \rightarrow 5SB $12\text{LB} \rightarrow 30\text{SB}$ $41\text{SB} \rightarrow 82$ $1\text{SB} \rightarrow 82 \div 41 = 2$ Ans: 2ℓ</p> <p>b) $12\text{LB} \rightarrow 2 \times 30 = 60$ $34\text{SB} \rightarrow 2 \times 34 = 68$ Total $\rightarrow 60 + 68 = 128$ Ans: 128ℓ</p>									