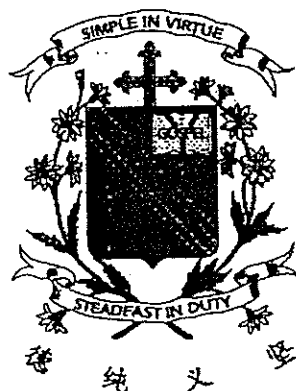


CHIJ ST NICHOLAS GIRLS' SCHOOL (PRIMARY)



Primary 5

2014 Semestral Assessment One

Mathematics

Paper 1

Booklet A

12 May 2014

Total Time for Booklets A and B : 50 min

INSTRUCTIONS TO CANDIDATES

Do not turn over this page until you are told to do so.
Follow all instructions carefully.
Answer all questions.
The use of calculators is NOT allowed.

This booklet consists of 6 printed pages including the cover page.

Questions 1 to 10 carry 1 mark each. Questions 11 to 15 carry 2 marks each. For each question, four options are given. One of them is the correct answer. Make your choice (1, 2, 3 or 4). Shade the correct oval (1, 2, 3, or 4) on the Optical Answer Sheet. (20 marks)

1. Which one of the following numbers when rounded off to the nearest thousand is 704 000?

1) 703 197

2) 703 463

3) 704 095

4) 704 501

2. What is the value of $160 \div 2 + 6 - 3 \times 10$?

1) 44

2) 56

3) 320

4) 830

3. Bel and Mel shared a sum of money in the ratio of 1 : 6. Mel received \$84. How much did Bel receive?

1) \$12

2) \$14

3) \$72

4) \$504

4. 6 walnut brownies were distributed equally among 4 children. What fraction of the walnut brownies did each child receive?

1) $\frac{1}{2}$

2) $\frac{2}{3}$

3) $1\frac{1}{2}$

4) $1\frac{2}{3}$

5. The figure below is made up of identical rectangles. What is the ratio of the unshaded parts to the shaded parts?



1) 3 : 4

2) 3 : 7

3) 4 : 3

4) 4 : 7

6. Which one of the following does not have the same value as $\frac{3}{5}$?

1) $\frac{1}{10} + \frac{1}{2}$

2) $1 - \frac{6}{15}$

3) $\frac{1}{10} \times 6$

4) $\frac{1}{5} \div 3$

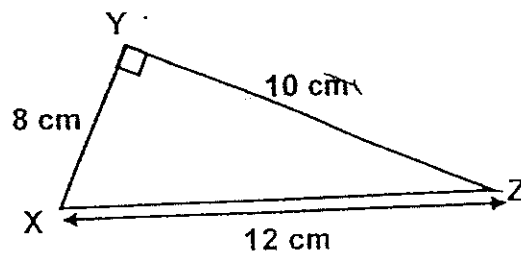
7. What must be subtracted from 10 000 to get 909?

- 1) 101
- 2) 9 091
- 3) 10 101
- 4) 10 909

8. What is the value of $\frac{5}{6} \div 10$?

- 1) $\frac{1}{12}$
- 2) $\frac{3}{25}$
- 3) $\frac{1}{3}$
- 4) $8\frac{1}{3}$

9. What is the area of triangle XYZ?



- 1) 40 cm²
- 2) 48 cm²
- 3) 60 cm²
- 4) 80 cm²

10. What is the missing number in the box?

$$\boxed{?} \div 50 = 300$$

$$\begin{array}{r} 300 \\ \times 50 \\ \hline 15000 \end{array}$$

- 1) 6
- 2) 60
- 3) 1 500
- 4) 15 000

4

11. The ratio of the number of cars to the number of vans in a carpark was 7 : 1. There were 252 fewer vans than cars. How many vehicles were there at the carpark?

- 1) 252
- 2) 288
- 3) 294
- 4) 336

12. What is the missing number in the box?

$$\frac{1}{3} + \frac{1}{6} + \frac{1}{3} + \frac{1}{3} + \frac{1}{6} + \frac{4}{12} = \boxed{?} \times \frac{1}{3}$$

- 1) 3
- 2) 5
- 3) 6
- 4) 8

13. Mabel paid \$5 for posting a parcel. Which is the maximum possible mass for the parcel?

	Postage
First 40 g	\$1.00
Additional 10 g or part thereof	\$0.40

- 1) 130 g
2) 135 g
3) 140 g
4) 150 g
14. Farmer Xavier had 2 kg of dried food. He fed $1\frac{5}{6}$ kg of it to the rabbits and $\frac{1}{4}$ of the remainder to the hamsters. How many kilograms of dried food did he have left?
- 1) $\frac{1}{8}$ kg
2) $\frac{7}{8}$ kg
3) $\frac{1}{24}$ kg
4) $\frac{7}{24}$ kg
15. $\frac{7}{8}$ of a number is 112. What is $\frac{1}{2}$ of the number?

- 1) 32
2) 49
3) 56
4) 64

CHIJ ST NICHOLAS GIRLS' SCHOOL(PRIMARY)



Primary 5

2014 Semestral Assessment One

Mathematics

Paper 1

Booklet B

12 May 2014

Booklet A	20
Booklet B	20
Total (Paper 1)	40

Total Time for Booklets A and B : 50 min

INSTRUCTIONS TO CANDIDATES

Do not turn over this page until you are told to do so.

Follow all instructions carefully.

Answer all questions.

The use of calculators is **NOT** allowed.

This booklet consists of 9 printed pages including the cover page.

Questions 16 to 25 carry 1 mark each. Write your answers in the spaces provided. For questions which require units, give your answers in the units stated. (10 marks)

Do not write in this space

16. Express $\frac{5}{9}$ as a decimal, correct to 2 decimal places.

Ans : _____

17. What is the missing value in the box?

$$31\,500 \div 700 = \boxed{?}$$

Ans : _____

18. What is the missing number in the box?

$$\frac{\boxed{?}}{18} = 1\frac{4}{9}$$

Do not
write in this
space

Ans : _____

19. Find the value of $\frac{3}{8} \div 9$. Express the answer in its simplest form.

Ans : _____



20. What is the value of 782×60 ?

Do not
write in
this space

Ans : _____

21. What is the missing number in the box?

$$876.375 = 876 + \frac{\boxed{?}}{8}$$

Ans : _____



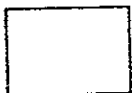
22. $\frac{1}{2}$ of Choo Beng's mass is the same as $\frac{2}{3}$ of Deon's mass. Find the ratio of Choo Beng's mass to Deon's mass.

Do not
write in
this space

Ans : _____

23. April bought 7 l of milk. She poured it into 12 bottles equally. What was the volume of milk in 5 such bottles?

Ans : _____ l



24. There are 50 people in the hall. 6 of them are adults and the rest are children. What is the ratio of the number of children to the total number of people?

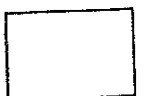
Do not
write in
this space

Ans : _____

25. What is the missing value?

$$10 : \boxed{?} = 14 : 21$$

Ans : _____



Questions 26 to 30 carry 2 marks each. Show your working clearly and write your answers in the spaces provided. For questions which require units, give your answers in the units stated. (10 marks)

Do not write in this space

26. There were 55 pupils at a camp. They lined up in a straight row and were grouped into 4 groups as shown below :

Pupil	1	2	3	4	5	6	55
Group	A	B	C	D	A	P	?

Which group will the 55th pupil be in ?

Ans : _____

27. Mrs Lee bought 10 boxes of thumbtacks to pin some posters on the noticeboard. Each box contained 13 thumbtacks. She used 6 thumbtacks to pin up each poster and had 4 thumbtacks left. How many posters did she pin up?

Ans : _____



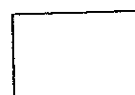
Do not
write in this
space

28. Mr Macho is 32 years older than Millie. Millie is 13 years. In how many years' time will Mr Macho be twice as old as Millie?

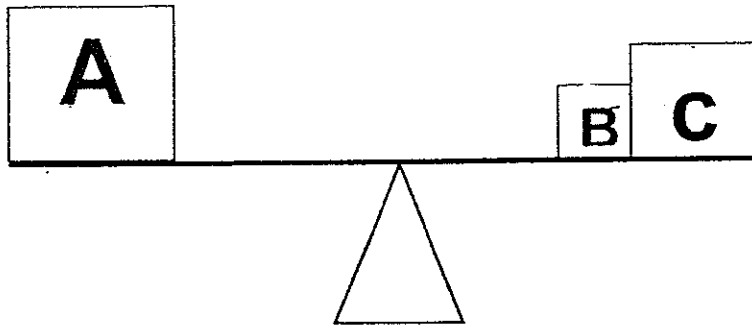
Ans : _____

29. Jovial mixed some water and orange syrup to make orange juice. She used $\frac{1}{2}$ l of water. This was $\frac{5}{12}$ l more than the orange syrup used. How many litres of orange juice did she make?

Ans : _____ l



30. The figure below shows three boxes, A, B and C, on a balanced scale. The mass of Box B is 89 g. The ratio of the mass of Box B to the mass of Box C is 1 : 3. What is the mass of Box A?



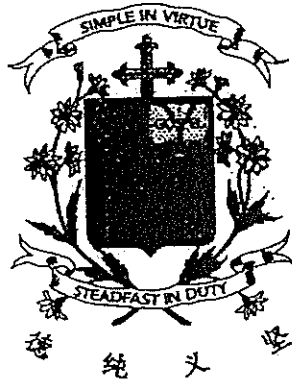
Do not
write in this
space

Ans : _____ g



****END OF PAPER 1****

CHIJ ST NICHOLAS GIRLS' SCHOOL (PRIMARY)



Primary 5

2014 Semestral Assessment One

Mathematics
Paper 2

12 May 2014

Time : 1 hour 40 minutes

INSTRUCTIONS TO CANDIDATES

Do not turn over this page until you are told to do so
Follow all instructions carefully.
Answer all questions.
The use of an approved calculator is expected, where appropriate.

This booklet consists of 16 printed pages including the cover page.

Questions 1 to 5 carry 2 marks each. Show your working clearly and write your answers in the spaces provided. For questions which require units, give your answers in the units stated.

(10 marks)

Do not
write in
this space

1. Adeline receives an allowance of \$26.50 from her parents every week. She spends $\frac{3}{5}$ of the allowance and saves the rest. If she saves the same amount every week, what is the least number of weeks she will take to save \$477?

Ans : _____

2. Mrs Francis needed to give 27 dancers $8\frac{1}{5}$ cm of ribbon each to tie their hair for a performance. However, she was short of $16\frac{1}{2}$ cm of ribbon. What was the length of the ribbon Mrs Francis had? Leave your answer in decimal.

Ans : _____ cm



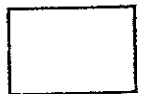
Do not
write in
this space

3. Mrs Sofia bought a piece of cloth of length 3 m. She used $\frac{3}{4}$ of the cloth and cut the remaining cloth into 30 pieces of the same length. What was the length of each of the 30 pieces? Leave your answer as a fraction.

Ans : _____ m

4. A printer can print 750 sets of newspapers in every 13 minutes. How long does it take to print 3000 sets of newspapers?

Ans : _____ min



5. Jessie bought $\frac{1}{4}$ kg of cocoa powder. She used $\frac{2}{3}$ of it to bake 3 loaves of bread. She used an equal amount of cocoa powder for each loaf of bread. How much cocoa powder was used to bake each loaf of bread?

Do not
write in
this space

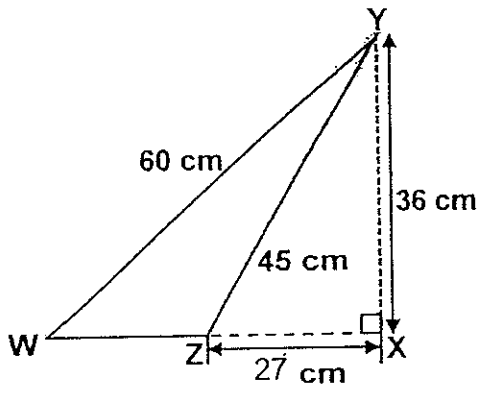
Ans : _____ kg



For questions 6 to 18, show your working clearly and write your answers in the spaces provided. The number of marks available is shown in brackets [] at the end of each question or part-question. (50 marks)

Do not write in this space

6. The sum of all the sides of triangle WZY is 126 cm. What is the area of triangle WZY?



Ans : _____ [3m]



7. Pamela answered 55 questions in a quiz and scored 85 points. For every correctly answered question, Pamela got 3 points. She lost 2 points for every wrong answer given. How many questions did she answer incorrectly in all?

Do not
write in
this space

Ans : _____ [3m]

8. Elsa was given $\frac{1}{3}$ of a pizza. Anna was given $\frac{2}{5}$ of the remaining pizza. The rest of the pizza was distributed equally among 4 children. What fraction of the pizza did each of the 4 children get?

Ans : _____ [3m]



9. Jancy, Belle and Olinda donated a total of \$2150 to a nursing home. Belle donated \$226 more than Jancy but \$861 less than Olinda. How much did Jancy donate?

Do not
write in
this space

Ans : _____ [3m]



10. Eddie and Crong received the same amount of salary each week. Eddie saved $\frac{2}{7}$ of his salary and Crong saved $\frac{3}{5}$ of his. Crong saved \$143 more than Eddie. What was the amount of salary each of them received?

Do not
write in
this space

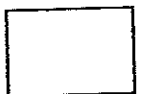
Ans : _____ [3m]



11. At a toy factory, 78 workers each had to make the same number of dolls every day. 13 of the workers were transferred to make toy guns and the rest of the workers had to make 15 more dolls. How many dolls did each worker have to make at first?

Do not
write in this
space

Ans : _____ [3m]



12. Kelly bought $\frac{9}{10}$ kg of sugar. She used $\frac{1}{5}$ of the sugar. She then used $\frac{3}{8}$ of the remaining sugar to bake cookies. What was the mass of sugar that she had left?

Do not
write in this
space

Ans : _____ [4m]



13. On Monday, Adam read 7 pages more than half of the number of pages of a storybook. On Tuesday, he read 9 pages fewer than half of the remaining pages in the storybook. In the end, Adam had 39 pages left to read. How many pages were there in the storybook?

Do not
write in this
space

Ans : _____ [4m]



14. Lyna had some money. She spent \$292.80 on a printer and $\frac{3}{10}$ of the remaining amount on a study desk. Finally, she was left with $\frac{1}{2}$ of the amount of money she had at first. How much money did Lyna have left?

Do not
write in this
space

Ans : _____ [5m]



15. Min Jung and Min Ho each received some bonus. Min Ho spent $\frac{7}{12}$ of his bonus. Min Jung spent $\frac{5}{9}$ of his bonus on a wallet. The wallet cost \$1250. Finally both of them had the same amount of bonus left. How much bonus did each of them receive at first?

Do not
write in this
space

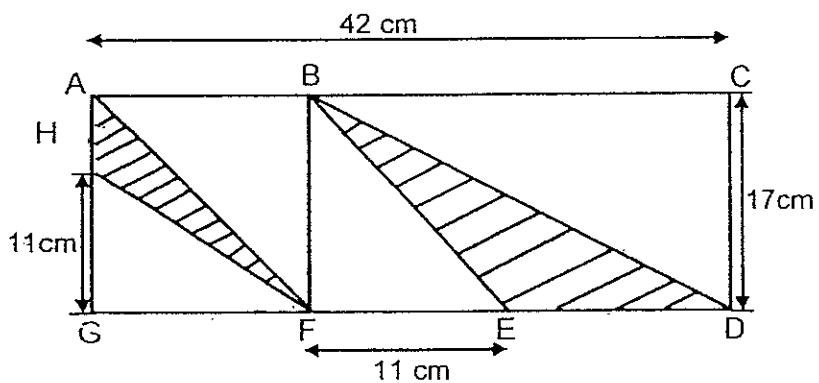
Ans : Min Jung - _____

Min Ho - _____ [5m]

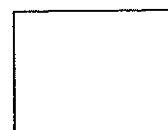


16. The figure below is made up of a square $ABFG$ and a rectangle $BCDF$.
What is the ratio of the area of triangle AFH to the area of triangle BDE ?

Do not
write in this
space



Ans : _____ [5m]



17. Best Price Megastore sold some ovens and rice cookers for a total of \$13 582 during a sale. The cost of a rice cooker and an oven was \$586. The oven cost \$52 less than the rice cooker. There were 4 more rice cookers sold than the ovens. How many ovens were sold?

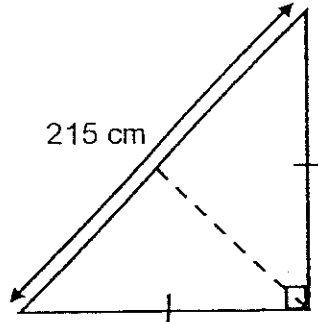
Do not
write in this
space

Ans : _____ [5m]



18. The figure below shows a triangular play mat. Joy had 12 such pieces of triangular play mats. What was the total area of the 12 pieces of play mats?

Do not write in this space



Ans : _____ [4m]



**** END OF PAPER ****

Exam Paper 2014 Answer Sheet

School: CHIJ ST NICHOLAS GIRLS' SCHOOL

Subject: PRIMARY 5 MATHEMATICS

Term: SA1

Paper 1

1)	3	6)	4	11)	4
2)	2	7)	2	12)	2
3)	2	8)	1	13)	3
4)	3	9)	1	14)	1
5)	3	10)	4	15)	4

16. 0.56

17. 45

18. 26

19. $\frac{1}{24}$

20. 46920

21. 3

22. 4 : 3

23. $2\frac{11}{12}$

24. 22 : 25

25. 15

26. C

27. No. of thumbtacks $\rightarrow 10 \times 13 = 130$

No. of posters $\rightarrow (130 - 4) \div 6 = 21$

28. $1u \rightarrow 32$

Millie then $\rightarrow 32$

Years' time $\rightarrow 32 - 13 = 19$

29. $\frac{1}{2} = \frac{6}{12}$
 $\frac{6}{12} - \frac{5}{12} = \frac{1}{12}$
 $\frac{6}{12} + \frac{1}{12} = \frac{7}{12}$

30. B : C $\rightarrow 1 : 3$

$1u \rightarrow 89$

C $\rightarrow 89 \times 3 = 267$

A $\rightarrow 267 + 89 = 356$

1. The first part of the document is a list of names and titles.

2. The second part of the document is a list of names and titles.

3. The third part of the document is a list of names and titles.

4. The fourth part of the document is a list of names and titles.

5. The fifth part of the document is a list of names and titles.

Paper 2

- Save $\rightarrow (\$26.50 \div 5) \times 2 = \10.60
No. of weeks $\rightarrow 477 \div 10.60 = 45$
- 27 dancers $\rightarrow 8\frac{1}{5} \times 27 = 221\frac{2}{5}$
Length of ribbon $\rightarrow 221\frac{2}{5} - 16\frac{1}{2} = 204.9$
- Remaining $\rightarrow 3 \div 4 = \frac{3}{4}$
30 pcs $\rightarrow \frac{3}{4}$
1pc $\rightarrow \frac{1}{40}$
- 750 sets $\rightarrow 13\text{min}$
No. of sets $\rightarrow 3000 \div 750 = 4$
0min $\rightarrow 13\text{min} \rightarrow 26\text{min} \rightarrow 39\text{min} \rightarrow 52\text{min}$
- 3 bread $\rightarrow (\frac{1}{4} \div 3) \times 2 = \frac{1}{6}\text{kg}$
1 bread $\rightarrow \frac{1}{18}\text{kg}$
- WZ $\rightarrow 126 - 60 - 45 = 21$
Area of WZY $\rightarrow \frac{1}{2} \times 21 \times 36 = 378\text{cm}^2$

7.

No. of tick	Points	No. of cross	Points	Total	Check
40	$40 \times 3 = 120$	15	$15 \times 2 = 30$	90	cross
39	$39 \times 3 = 117$	16	$16 \times 2 = 32$	85	tick

- $\frac{3}{5} \times \frac{2}{3} = \frac{2}{5}$
 $\frac{2}{5} \div 4 = \frac{1}{10}$
- 3u $\rightarrow 2150 - 226 - 226 - 861 = 837$
1u $\rightarrow \$279$
- Saved: E $\rightarrow \frac{2}{7} = \frac{10}{35}$
C $\rightarrow \frac{3}{5} = \frac{21}{35}$
Diff $\rightarrow \frac{21}{35} - \frac{10}{35} = \frac{11}{35}$
11u $\rightarrow \$143$
1u $\rightarrow \$13$
Each salary $\rightarrow \$13 \times 35 = \455
- No. of doll workers left $\rightarrow 78 - 13 = 65$
13 workers $\rightarrow 15 \times 65 = 975$
1 worker $\rightarrow 75$
- $\frac{9}{10} \div 5 = \frac{9}{50}$
 $\frac{9}{50} \times 4 = \frac{18}{25}$
 $\frac{18}{25} \div 8 = \frac{9}{100}$
 $\frac{9}{100} \times 5 = \frac{9}{20}\text{kg}$

... the ...
... the ...
... the ...

... the ...
... the ...
... the ...

... the ...
... the ...

... the ...
... the ...

... the ...
... the ...
... the ...

... the ...
... the ...

... the ...
... the ...

... the ...
... the ...

... the ...
... the ...

... the ...
... the ...

... the ...
... the ...

... the ...
... the ...
... the ...

... the ...
... the ...
... the ...

13. $\frac{1}{2}$ of remainder $\rightarrow 39 - 9 = 30$
 $\frac{1}{2}$ of total $\rightarrow (30 \times 2) + 7 = 67$
 No. of pages $\rightarrow 67 \times 2 = \mathbf{134}$

14. At first $\rightarrow \frac{7}{10} \times 2 = \frac{14}{10}$
 $\$292.80 \rightarrow \frac{7}{10} - \frac{3}{10} = \frac{4}{10}$
 $4u \rightarrow \$292.80$
 $1u \rightarrow \$73.20$
 Lyna left $\rightarrow \$73.20 \times 7 = \mathbf{\$512.40}$

15. Left: MH $\rightarrow 1 - \frac{7}{12} = \frac{5}{12} = \frac{20}{48}$
 MJ $\rightarrow 1 - \frac{5}{9} = \frac{4}{9} = \frac{20}{45}$
 $1 - \frac{20}{45} = \frac{25}{45}$
 $\frac{25}{45} \rightarrow \1250
 $\frac{1}{45} \rightarrow \50
 MJ at first $\rightarrow 50 \times 45 = \mathbf{\$2250}$
 $\frac{20}{48} \rightarrow \$50 \times 20 = \$1000$
 $\frac{1}{48} \rightarrow \50
 MH $\rightarrow \$50 \times 48 = \mathbf{\$2400}$

16. ED $\rightarrow 42 - 11 - 17 = 14$
 Area of AHF $\rightarrow \frac{1}{2} \times 6 \times 17 = 51$
 Area of BDE $\rightarrow \frac{1}{2} \times 14 \times 17 = 119$
 BDE : AHF
 $51 : 119$
 $\mathbf{3 : 7}$

17. Oven $\rightarrow (586 - 52) \div 2 = \267
 Rice cooker $\rightarrow 267 + 52 = \$319$
 4 rice cooker $\rightarrow 319 \times 4 = \1276
 No. of sets $\rightarrow (13582 - 1276) \div 586 = 21$
 No. of ovens sold $\rightarrow \mathbf{21}$

18. Area of 4 play mats $\rightarrow 215 \times 215 = 46225$
 No. of grp $\rightarrow 12 \div 4 = 3$
 Areas of 12 play mats $\rightarrow 3 \times 46225 = \mathbf{138675\text{cm}^2}$

