

11

# Anglo-Chinese School (Junior)



SEMESTRAL ASSESSMENT 1 (2016)

PRIMARY 5

MATHEMATICS

PAPER 1

Booklet A

Friday

6 May 2016

50 min

Name: \_\_\_\_\_ ( ) Class: 5.( )

## INSTRUCTIONS TO PUPILS

- 1 Do not turn over the pages until you are told to do so.
- 2 Follow all instructions carefully.
- 3 Answer ALL questions.
- 4 Shade your answers in the Optical Answer Sheet (OAS) provided.
- 5 You are **not** allowed to use a calculator for this paper.

---

**This question paper consists of 8 printed pages (inclusive of cover page).**

Questions 1 to 10 carry 1 mark each. Questions 11 to 15 carry 2 marks each.  
For each question, four options are given. One of them is the correct answer.  
Make your choice (1, 2, 3 or 4). Shade the correct oval (1, 2, 3 or 4) on the  
Optical Answer Sheet (OAS). (20 marks)

---

1. Which of the following is eight hundred and one thousand and twenty-six in numerals?

- 1) 81 026
- 2) 801 026
- 3) 8 001 026
- 4) 8 010 026

2. In 43 705, what does the digit 3 stand for?

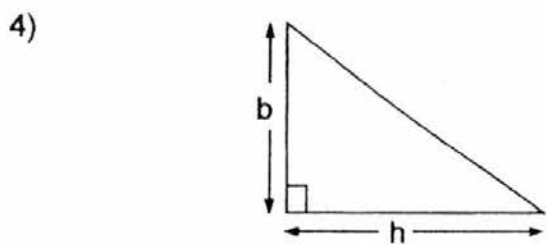
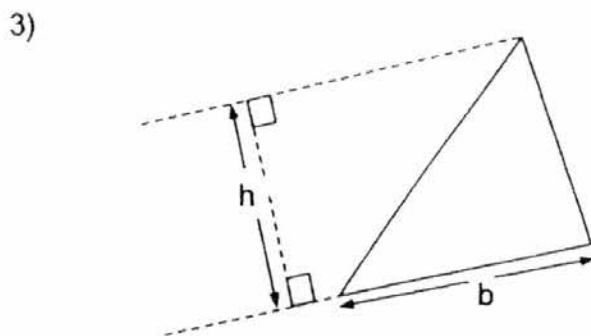
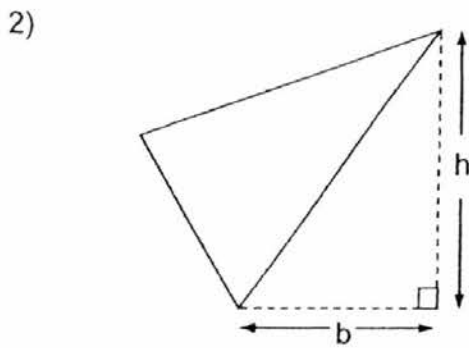
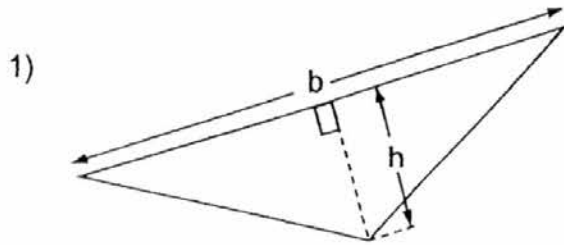
- 1) 3 hundreds
- 2) 30 hundreds
- 3) 300 hundreds
- 4) 3000 hundreds

3. Lisa was facing south-west at first. She then turned  $225^\circ$  anticlockwise. Where is she facing now?

- 1) North
- 2) South
- 3) East
- 4) West



4. Which of the following triangles does **not** have its height,  $h$ , and base,  $b$ , correctly matched?



5. Which of the following is the same as 10 minutes past midnight?

- 1) 11.50 a.m.
- 2) 11.50 p.m.
- 3) 12.10 a.m.
- 4) 12.10 p.m.

6. Which one of the following is the same as  $\frac{4}{7} \div 3$ ?

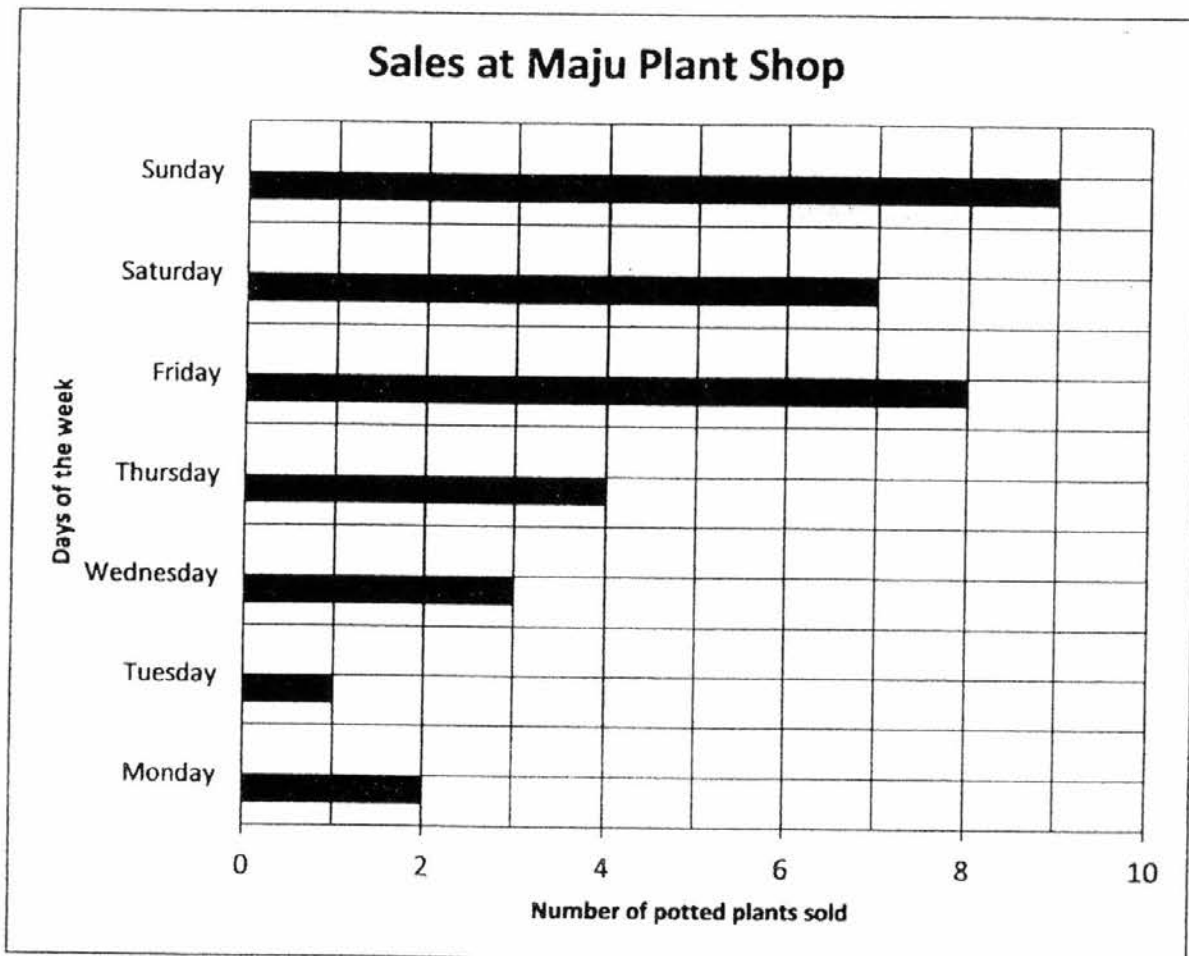
- 1)  $\frac{4}{7} \times \frac{3}{1}$
- 2)  $\frac{4}{7} \times \frac{1}{3}$
- 3)  $\frac{7}{4} \times \frac{3}{1}$
- 4)  $\frac{7}{4} \times \frac{1}{3}$

7. Express  $\frac{13}{5}$  as a mixed number.

- 1)  $1\frac{3}{15}$
- 2)  $1\frac{3}{5}$
- 3)  $2\frac{3}{5}$
- 4)  $3\frac{1}{5}$

8. Mr Maju had 50 potted plants at his shop.

The graph below shows the number of potted plants he sold in the week.

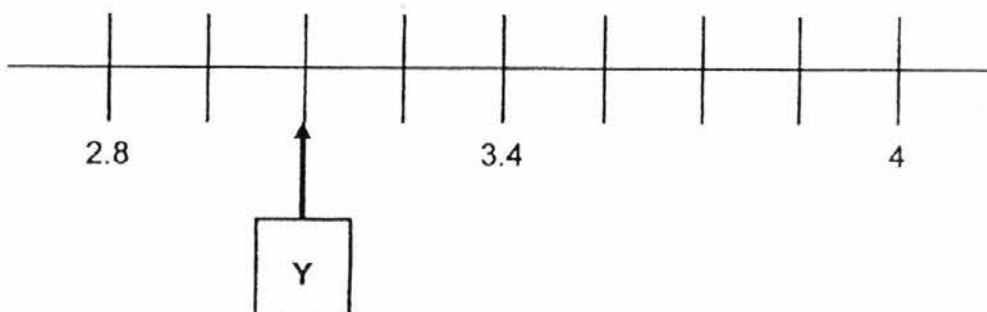


How many potted plants were left at the shop at the end of Friday?

- 1) 16
- 2) 18
- 3) 32
- 4) 34

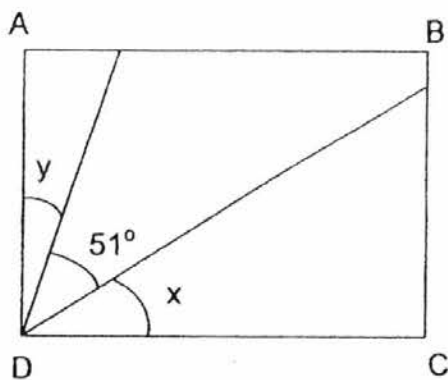
9. Mrs Lee baked 34 muffins. 12 of them were banana muffins and the rest were blueberry muffins. Find the ratio of the number of blueberry muffins to the total number of muffins.
- 1) 6 : 17
  - 2) 11 : 17
  - 3) 11 : 6
  - 4) 17 : 11
10. Mr Tan gave monthly allowance to his wife and two sons in the ratio of 5 : 3. His sons received \$420 altogether. How much did his wife receive?
- 1) \$590
  - 2) \$600
  - 3) \$700
  - 4) \$1400
11. What is the missing number in  $12 : 32 = \square : 56$  ?
- 1) 8
  - 2) 18
  - 3) 3
  - 4) 21

12. In the number line below, find the value of Y.



- 1) 2.82
- 2) 3.00
- 3) 3.10
- 4) 3.20

13. ABCD is a rectangle. Given that  $\angle x$  is twice the size of  $\angle y$ , find  $\angle x$ .



- 1) 13°
- 2) 26°
- 3) 39°
- 4) 43°

14. Kenny had \$63. He spent  $\frac{1}{7}$  of the money on a pen. He then spent  $\frac{2}{3}$  of his remaining money on a pencil case. How much did he spend on the pencil case?
- 1) \$12
  - 2) \$32
  - 3) \$36
  - 4) \$42
15. Charlie and Lucy had the same number of buttons. After Lucy gave away 15 buttons and Charlie gave away 45 buttons, Lucy had 4 times as many buttons as Charlie. How many buttons did each of them have at first?
- 1) 10
  - 2) 30
  - 3) 55
  - 4) 60

(Go on to Booklet B)



# Anglo-Chinese School (Junior)



**SEMESTRAL ASSESSMENT 1 (2016)**

**PRIMARY 5**

**MATHEMATICS**

**PAPER 1**

**Booklet B**

**Friday**

**6 May 2016**

**50 min**

Name: \_\_\_\_\_ ( ) Class: 5.( )

## **INSTRUCTIONS TO PUPILS**

- 1 Do not turn over the pages until you are told to do so.
- 2 Follow all instructions carefully.
- 3 Answer ALL questions.
- 4 You are **not** allowed to use a calculator for this paper.

---

**This question paper consists of 9 printed pages (inclusive of cover page).**

Questions 16 to 25 carry 1 mark each. Write your answers in the spaces provided. For questions which require units, give your answers in the units stated. (10 marks)

---

16. Use all the digits 9, 0, 5, 8 to form the smallest multiple of 5.

Ans: \_\_\_\_\_

17. Find the number in the blank.

$$3\,784 \times 9 = 3\,000 \times 9 + 700 \times 9 + \underline{\quad\quad} \times 9$$

Ans: \_\_\_\_\_

18. Find the value of  $20 - 2 \times 8 \div (3 + 1)$

Ans: \_\_\_\_\_

B2

Sub-Total :

19. How many eighths are there in  $1\frac{3}{4}$ ?

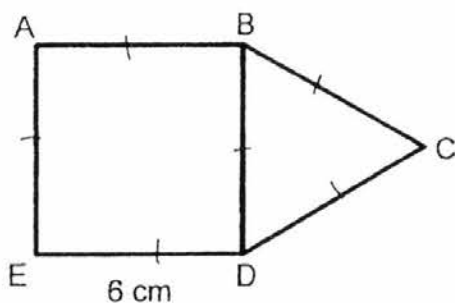
Ans: \_\_\_\_\_

20.  $\frac{3}{5} + \frac{3}{10} - \frac{1}{2} = \frac{\square}{5}$

What is the missing number in the box?

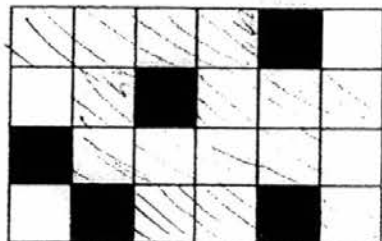
Ans: \_\_\_\_\_

21. The figure below is made up of <sup>square</sup> ABDE ~~square~~ and triangle BCD. DE = 6 cm. Given that all the sides of the triangle are of the same length, what is the perimeter of the figure?



Ans: \_\_\_\_\_ cm

22. How many **more** squares must be shaded so that the ratio of the number of unshaded squares to the number of shaded squares is 1 : 5.

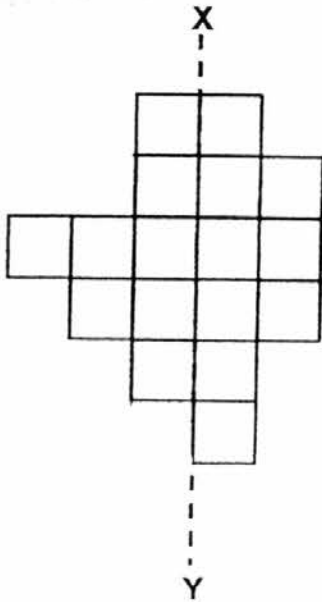


Ans: \_\_\_\_\_

23. Melati mixed water and orange syrup in the ratio 7 : 2 to make orange squash. She used 98 ml of water. How much orange syrup did she use?

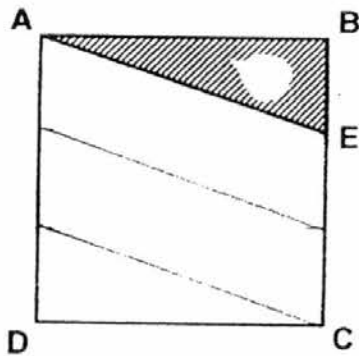
Ans: \_\_\_\_\_ ml

24. The figure below shows 17 squares. What is the **smallest** number of squares that must be added so that the dotted line XY is a line of symmetry?



Ans: \_\_\_\_\_

25. In the figure below, ABCD is a square of area  $81 \text{ cm}^2$ . The length of AB is 3 times the length of BE. What is the area of triangle ABE?



Ans: \_\_\_\_\_  $\text{cm}^2$

B5

Sub-Total :

Questions 26 to 30 carry 2 marks each. Show your working clearly and write your answers in the spaces provided. For questions which require units, give your answers in the units stated. (10 marks)

---

26. Wayne and Liming share some marbles.  $\frac{2}{3}$  of Wayne's marbles is equal to  $\frac{2}{5}$  of Liming's marbles. Given that Liming has 14 marbles more than Wayne, how many marbles do they have altogether?

Ans: \_\_\_\_\_

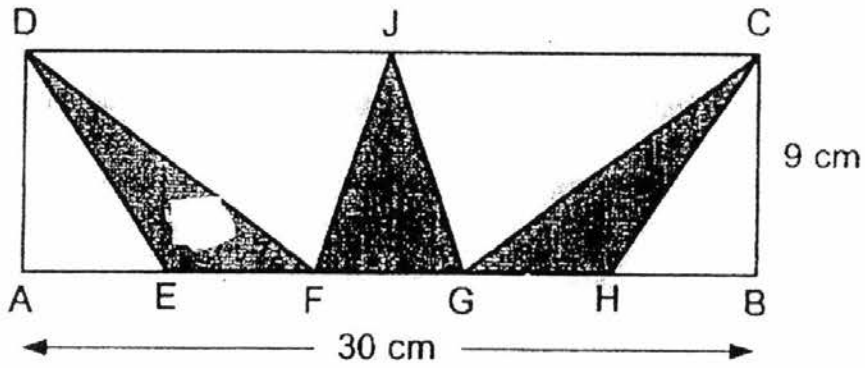
27. There were 144 children and three times as many adults at a school football match. An equal number of children and adults left in the middle of the match. At the end of the match, there were 7 times as many adults as children. How many children were there at the end of the match?

Ans: \_\_\_\_\_

B6

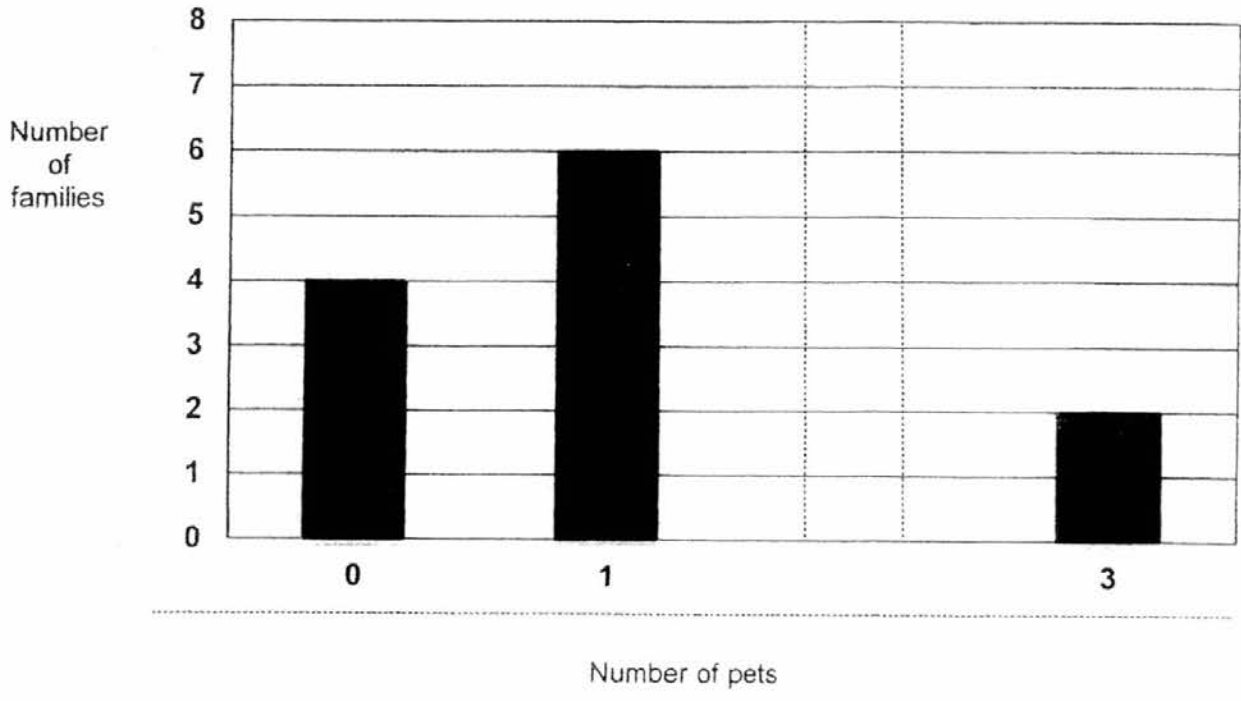
Sub-Total :

28. In the figure, ABCD is a rectangle.  $AE = EF = FG = GH = HB$   
What is the area of the shaded part?



Ans: \_\_\_\_\_  $\text{cm}^2$

29. The bar graph shows the number of pets owned by the families living in a block of flats. There are a total of 20 pets in the block. The bar that shows the number of families that has 2 pets is not drawn. Draw this bar in the bar graphs below.

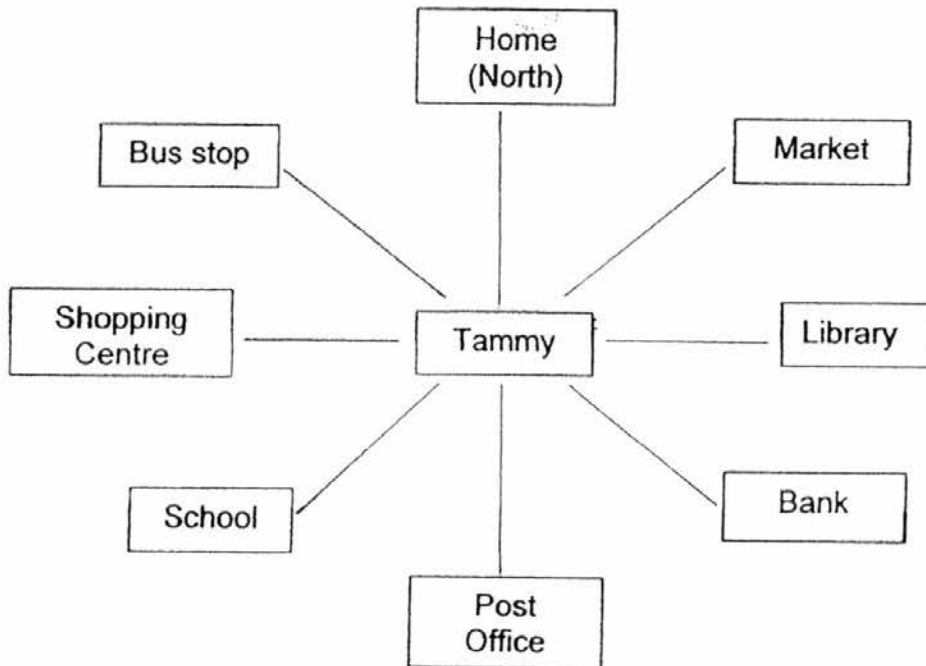


B8

Sub-Total :



30. Study the diagram and answer questions (i) and (ii).



Tammy was facing her home at first. She then took the following steps in order to face her intended destination.

- Step 1 : She turned to face East.
- Step 2 : She turned  $135^\circ$  clockwise.
- Step 3 : She turned  $90^\circ$  anticlockwise.

At the end of Step 3, she realised that she could face her intended destination without going through steps 2 and 3.

(i) Fill in '**clockwise**' or '**anticlockwise**' in the blank.

She should have turned  $45^\circ$  \_\_\_\_\_ after Step 1 to face her intended destination.

Ans: \_\_\_\_\_

(ii) Where was her intended destination?

Ans: \_\_\_\_\_

**End of Paper**

# Anglo-Chinese School (Junior)



## SEMESTRAL ASSESSMENT 1 (2016)

PRIMARY 5

MATHEMATICS

PAPER 2

Friday

6 May 2016

1 h 40 min

Name: \_\_\_\_\_ ( ) Class: 5.( ) Parent's Signature: \_\_\_\_\_

### INSTRUCTIONS TO PUPILS

- 1 Do not turn over the pages until you are told to do so.
- 2 Follow all instructions carefully.
- 3 Answer ALL questions.
- 4 You can use a calculator for this paper.

Paper	Booklet	Possible Marks	Marks Obtained
1	A	20	
	B	20	
2		60	
Total		100	

---

This question paper consists of 15 printed pages (inclusive of cover page).

Questions 1 to 5 carry 2 marks each. Show your working clearly and write your answers in the spaces provided. For questions which require units, give your answers in the units stated. (10 marks)

---

1. Mrs Chen bought apples at the price shown below.

What was the greatest number of apples that she could buy with \$15?

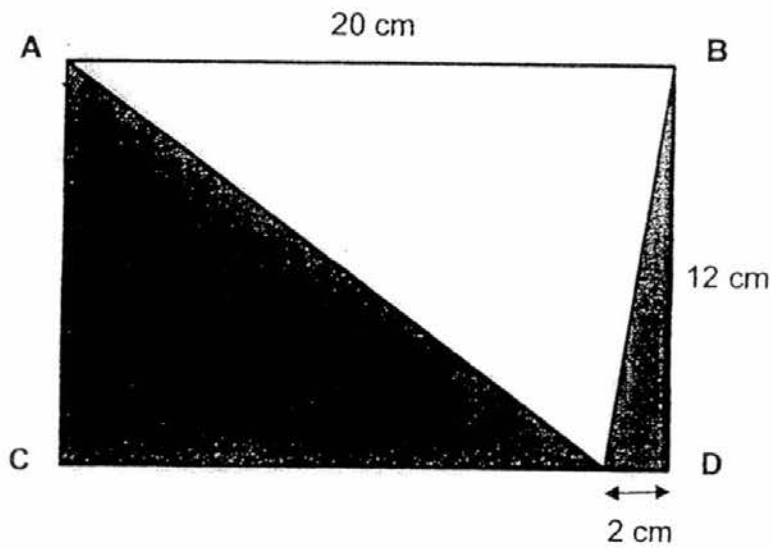


Ans: \_\_\_\_\_

2. Alfred answered 20 questions in a test. He took 2 min for each of the first 5 questions and 5 min for each of the remaining questions. The test started at 8.10 a.m. At what time did Alfred complete his test?

Ans: \_\_\_\_\_ a.m.

3. In the figure below, ABCD is a rectangle. Find the area of the shaded part.



Ans: \_\_\_\_\_ cm<sup>2</sup>

4. Elsie bought 1 m of cloth. She used  $\frac{1}{3}$  m of it to make a cushion cover. She then used  $\frac{1}{4}$  of the remaining cloth to make a ribbon. How much cloth did she use to make the ribbon? Give your answer in metres.

Ans: \_\_\_\_\_ m

5. Muthu and Leela shared some money in the ratio 3 : 5. Leela had \$26 more than Muthu. How much money did they have altogether?

Ans: \$ \_\_\_\_\_

For Questions 6 to 18, show your working clearly and write your answers in the spaces provided. The number of marks available is shown in brackets [ ] at the end of each question or part-question. (50 marks)

---

6. There are a total of 176 blue and red pens. There are 48 more blue pens than red pens. What is the ratio of the number of blue pens to the number of red pens? Give your answer in simplest form.

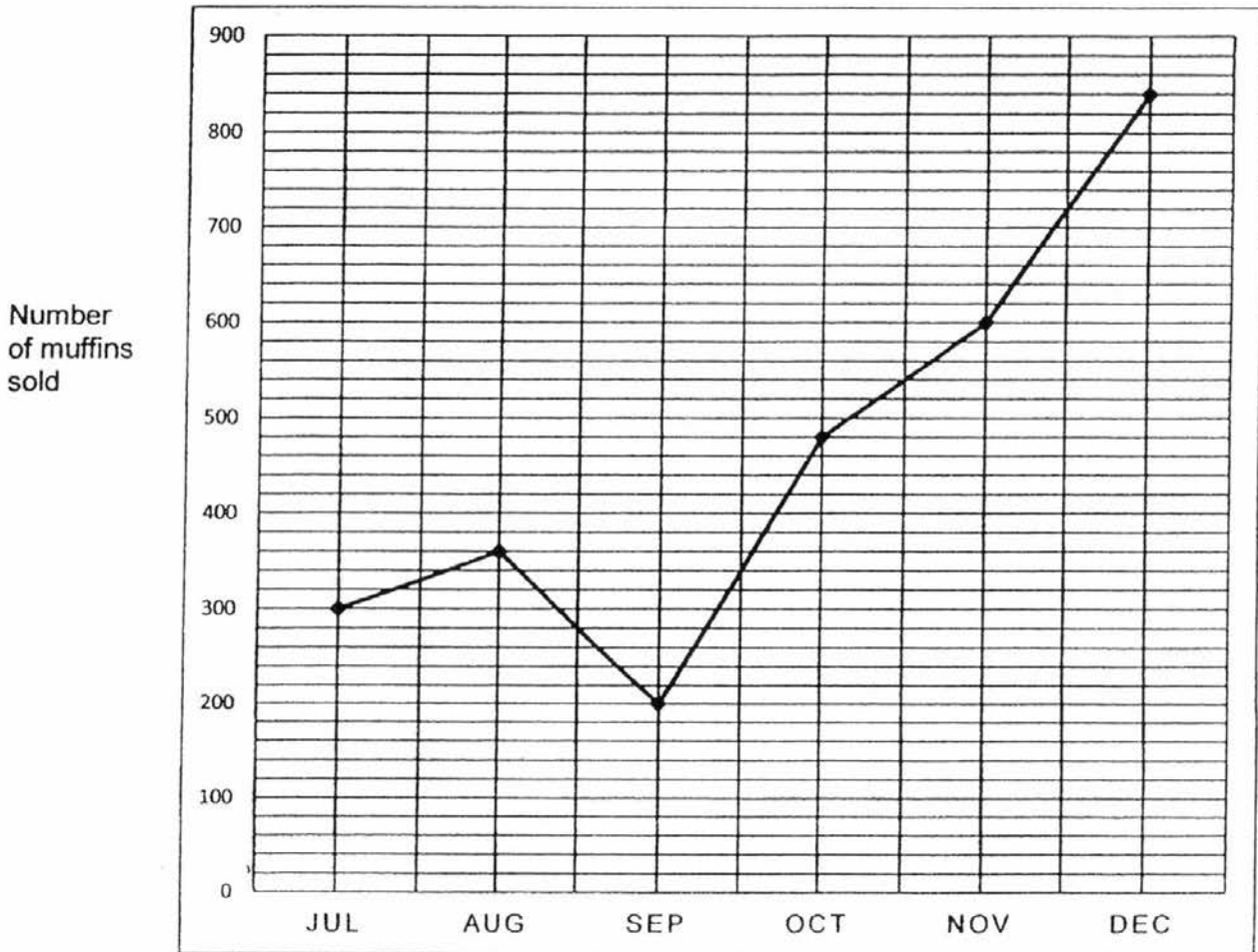
Ans: \_\_\_\_\_ [3]

7. Eunice spent \$56 on 17 mangoes and 6 apples. A mango costs twice as much as an apple. What was the total cost of 1 mango and 1 apple?

Ans: \_\_\_\_\_ [3]

Sub-Total :

8. The graph below shows the number of muffins sold each month by a bakery from July to December in 2015.



- (a) In which month were the least muffins sold?
- (b) What was the total number of muffins sold in the last 3 months of the year?

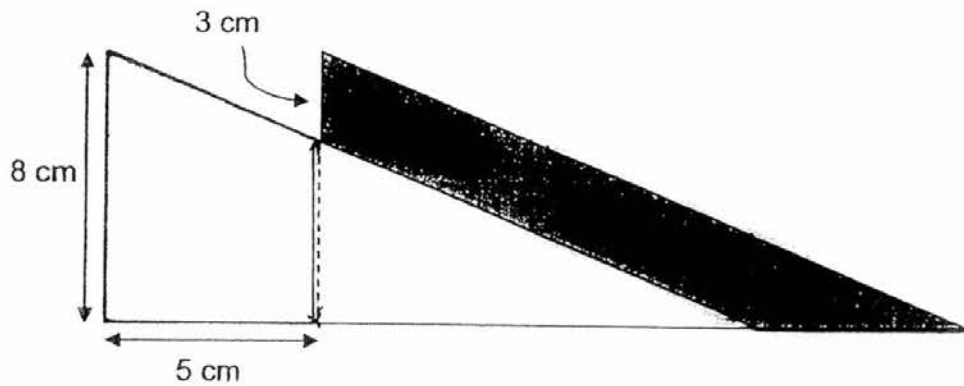
Ans: (a) \_\_\_\_\_ [1]

(b) \_\_\_\_\_ [2]

9. April and May went shopping for clothes. April bought 4 dresses and 3 blouses for \$252. May bought 3 dresses and 6 blouses for \$279. How much does each dress cost?

Ans: \_\_\_\_\_ [3]

10. The figure shows two identical right-angled triangles overlapping each other. Find the area of the shaded part.



Ans: \_\_\_\_\_ [3]



11. Mr Chong paid \$348 for the tickets to "Shrack the Musical" at the prices shown below. How many tickets did he buy?



**SHRACK  
the MUSICAL**

*Tickets at \$12 each  
Save \$6 for every 4 tickets.*

**HURRY!**

Ans: \_\_\_\_\_ [4]

12. A box contained red, white and purple buttons.  $\frac{2}{5}$  of the buttons were red and  $\frac{2}{9}$  of the remainder were white buttons. The rest were purple buttons.
- (a) Find the ratio of the number of purple buttons to the number of red buttons.
- (b) There were 160 fewer white buttons than red buttons. How many buttons were there in the box?

Ans: (a) \_\_\_\_\_ [1]

(b) \_\_\_\_\_ [3]

13. Tickets for a drama performance were sold to senior citizens, adults and children at different prices as shown below.

	Price per Ticket
Child	\$4
Senior Citizen	\$6
Adult	\$8

$\frac{1}{4}$  of the tickets sold were bought by senior citizens and  $\frac{1}{3}$  of them were bought by adults. The rest were bought by children.

- (a) What fraction of the tickets sold were bought by children?
- (b) A total amount of \$2240 was collected from the sale of the tickets. How many children bought the tickets?

Ans: (a) \_\_\_\_\_ [1]

(b) \_\_\_\_\_ [3]

14. There were twice as many chicken pies as durian puffs at a bakery. After  $\frac{1}{2}$  of the chicken pies and  $\frac{1}{4}$  of the durian puffs were sold, there were a total of 196 chicken pies and durian puffs left at the bakery.

(a) How many durian puffs were sold?

(b) What was the total number of chicken pies and durian puffs at the bakery at first?

Ans: (a) \_\_\_\_\_ [2]

(b) \_\_\_\_\_ [2]

15. Ben had some money. He spent \$10 on 3 notebooks and 7 pencils. He is short of \$0.40 if he were to buy another notebook. However, if he were to buy one more pencil, he will have \$0.60 left over.

- (a) How much more does a notebook cost than a pencil?
- (b) How much money does Ben have?

Ans: (a) \_\_\_\_\_ [1]

-

(b) \_\_\_\_\_ [3]

16. There were a total of 904 goats, cows, chickens and ducks at a farm. The number of chickens was 324 more than the number of goats. The total number of cows and ducks was 2 times the number of goats.

- (a) How many cows and ducks were there at the farm?
- (b) The total number of legs for all the cows and ducks was 910. Given that each cow has 4 legs and each duck has 2 legs, how many cows were there in the farm?

Ans: (a) \_\_\_\_\_ [2]

(b) \_\_\_\_\_ [3]

--

17. Hazim spent  $\frac{1}{4}$  of his money and an additional \$6 on a bag. He then spent  $\frac{3}{5}$  of the remaining money and an additional \$12 on a watch. He then spent \$20 of his money on food and had \$16 left. How much money did Hazim have at first?

Ans: \_\_\_\_\_ [5]

18. Sandy, Tina and Vivian baked some tarts. Sandy and Tina baked  $\frac{3}{4}$  of the tarts. Tina and Vivian baked  $\frac{3}{5}$  of the tarts. Sandy and Vivian baked 520 tarts altogether.

- (a) What fraction of the tarts did Sandy and Vivian bake altogether?
- (b) How many tarts did the three girls bake in total?

Ans: (a) \_\_\_\_\_ [2]

(b) \_\_\_\_\_ [3]

---

End of Paper 2



## EXAM PAPER 2016

SCHOOL : ANGLO-CHINESE SCHOOL (JUNIOR)  
SUBJECT : MATHEMATICS  
TERM : SA1

### PAPER 1

#### SECTION A

Q1	Q2	Q3	Q4	Q5	Q6	Q7	Q8	Q9	Q10
2	2	1	2	3	2	3	3	2	3
Q11	Q12	Q13	Q14	Q15					
4	3	2	3	3					

#### SECTION B

Q16. 5890    Q17. 84    Q18. 16    Q19. 14 eights    Q20. 2    Q21. 30cm

Q22. 15 more squares    Q23. 28 ml    Q24. 3 squares    Q25.  $13.5\text{cm}^2$

Q26. 56 marbles    Q27. 48 children    Q28.  $81\text{ cm}^2$     Q29. 4 families

Q30(i) Clockwise (ii) The bank

#### PAPER 2

Q1. Groups of 3 =  $15 \div 2$

$$= 7R1$$

$$\text{Apples} = 7 \times 3$$

$$= 21$$

Q2. Time =  $(5 \times 2) + (5 \times 15)$

$$= 85$$

8.10 a.m  $\rightarrow$  85min  $\rightarrow$  9.35a.m    Answer: 9.35 a.m

Q3. Shaded part = half of rectangle

$$\text{Shaded part} = \frac{1}{2} \times 10 \times 12$$

$$= 120 \quad \text{Answer: } 120\text{cm}^2$$

Q4. Remaining =  $1\text{m} - \frac{1}{3}\text{m}$

$$= \frac{2}{3}\text{m}$$

$$\text{Ribbon} = \frac{2}{3} \times \frac{1}{4}$$

$$= \frac{1}{6} \quad \text{Answer: } \frac{1}{6}\text{m}$$

Q5.  $2u = \$26$

$$\text{Total} = 3u + 5u$$

$$= 8u$$

$$8u = 26 \times 4$$

$$= 104 \quad \text{Answer: } \$104$$

Q6. Blue pens =  $(176 + 48) \div 2$

$$= 112$$

$$\text{Red pens} = 112 - 48$$

$$= 64$$

Blue : Red

$$112:64$$

$$7:4 \quad \text{Answer: } 7:4$$

Q7.  $17m + 6a = \$56$

$$17a + 17a + 6a = \$56$$

$$40a = \$56$$

$$1a = \$56 \div 40$$

$$= \$1.40$$

$$1 \text{ mango} = \$1.40 \times 2$$

$$= \$2.80$$

$$1 \text{ mango} + 1 \text{ apple} = \$2.80 + \$1.40$$

$$= \$4.20 \quad \text{Answer: } \$4.20$$

Q8(a) September

$$(b) \text{ muffins} = 480 + 600 + 840$$

$$= 1920 \quad \text{Answer: } 1920$$

Q9.  $4d + 3b = \$252$

$$3d + 6b = \$279$$

$$8d + 6b = \$504$$

$$5d = \$504 - \$279$$

$$= \$225$$

$$1d = \$225 \div 5$$

$$= \$45 \quad \text{Answer: } \$45$$

Q10. Area of square =  $5 \times 5$

$$\text{Area of small triangle} = \frac{1}{2} \times 5 \times 3$$

$$= 7.5$$

$$\text{Shaded area} = 25 + 7.5$$

$$= 32.5 \quad \text{Answer: } 32.5\text{cm}^2$$

Q11. 1 group =  $\$12 \times 4 \div 6$

$$= \$42$$

Groups =  $\$348 \div \$42$

$$= 8R12$$

$\$12 = 1$  ticket

Tickets =  $8 \times 4 + 1$

$$= 33 \quad \text{Answer: 33 tickets}$$

Q12(a)  $1 - 2/5 = 3/5$

$$1 - 2/9 = 7/9$$

Purple =  $7/9 \times 3/5 = 7/15$

$$2/5 = 6/15$$

Red =  $6u$

Purple =  $7u$

Purple : Red

$$7 : 6 \quad \text{Answer: 7:6}$$

(b) White =  $3/5 \times 2/9 = 2/15$

$$= 2u$$

160 buttons =  $6u - 2u = 4u$

$$4u = 160$$

$$1u = 40$$

$15u = 600$     Answer: 600 buttons

Q13(a) Children =  $1 - 1/4 - 1/3$

$$= 5/12 \quad \text{Answer: 5/12}$$

(b)  $5u \times \$4 = 20u$

$$3u \times \$6 = 18u$$

$$4u \times \$8 = 32u$$

$$\text{Units} = 20u + 18u + 32u$$

$$= 70u$$

$$1u = 2240 \div 70$$

$$= 72$$

$$5u = 32 \times 5$$

$$= 160 \quad \text{Answer: 160 children}$$

$$\text{Q14(a)} \quad 7u = 196$$

$$1u = 196 \div 7$$

$$= 28 \quad \text{Answer: 28 durian puffs}$$

$$\text{(b)} \quad 12u = 28 \times 12$$

$$= 336 \quad \text{Answer: 336 pastries}$$

$$\text{Q15(a)} \quad \text{Extra} = \$0.40 + \$0.60$$

$$= \$1 \quad \text{Answer: \$1}$$

$$\text{(b)} \quad \text{Total extra} = \$1 \times 3$$

$$= \$3$$

$$10 \text{ pencils} = \$10 - \$3$$

$$= \$7$$

$$1 \text{ pencil} = \$7 \div 10$$

$$= \$0.70$$

$$\text{Total} = \$10 + \$0.70 + \$0.60$$

$$= \$11.30 \quad \text{Answer: \$11.30}$$

$$\text{Q16(a)} \quad 904 - 324 = 580$$

$$580 \div 4 = 145$$

$$145 \times 2 = 290 \quad \text{Answer: 290 cows and ducks}$$

$$\text{(b)} \quad 290 \times 2 = 580$$

$$910 - 580 = 330$$

$$4 - 2 = 2$$

$$330 \div 2 = 165 \quad \text{Answer: 165 cows}$$

$$\text{Q17. } \frac{2}{5} \text{ of the remainder} = \$36 + \$12$$

$$= \$48$$

$$\frac{1}{5} \text{ of the remainder} = \$48 \div 2$$

$$= \$24$$

$$\text{Remainder} = \$24 \times 5$$

$$= \$120$$

$$\frac{3}{4} = \$120 + \$6$$

$$= \$126$$

$$\frac{1}{4} = \$126 \div 3$$

$$= \$42$$

$$\text{Total} = \$42 \times 4$$

$$= \$168 \quad \text{Answer: } \$168$$

Q18(a) V : S + T : Total

$$5 : 15 : 20$$

$$S + V = 5u + 8u$$

$$= 13/20$$

S : T + V : Total

$$8 : 12 : 20$$

Answer: 13/20

(b)  $13u = 520$

$$1u = 520 \div 13$$

$$= 40$$

$$20u = 40 \times 20$$

$$= 800$$

Answer: 800 tarts

END