



Rosyth School
End-of-Year Examination 2022
Mathematics
Paper 1
Primary 5

Name. _____

Register No. _____

Class: Pr 5 - _____

Date: 27 October 2022

Parent's Signature. _____

Total Time for Booklets A and B : 1 hour

Booklet A

Instructions to Pupils:

1. Do not open this booklet until you are told to do so.
2. Follow all instructions carefully.
3. Shade your answers in the Optical Answer Sheet (OAS) provided.
4. You are not allowed to use a calculator.
5. Answer all questions.

Section	Maximum Mark	Marks Obtained
Paper 1 (Booklet A)	20	

* This booklet consists of 7 pages (including this cover page).

Questions 1 to 10 carry 1 mark each. Questions 11 to 15 carry 2 marks each.
For each question, four options are given. One of them is the correct answer.
Make your choice (1, 2, 3 or 4). Shade the oval (1, 2, 3 or 4) on the Optical Answer Sheet.

All diagrams in this paper are not drawn to scale unless stated otherwise.

(20 marks)

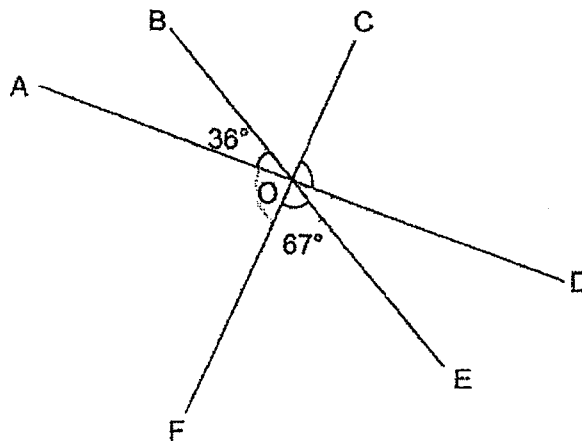
1. Seven million, five hundred thousand and ninety-six when written in numerals is _____
- (1) 7 500 096
 - (2) 7 050 096
 - (3) 7 005 096
 - (4) 7 000 596
2. Round off 6 309 057 to the nearest thousand.
- (1) 6 000 000
 - (2) 6 300 000
 - (3) 6 310 000
 - (4) 6 309 000
3. $100 \div 40 =$ _____
- (1) 0.4
 - (2) 2.5
 - (3) 25
 - (4) 4

(Go on to the next page)

4. For every 14 boys who enter the hall, 6 girls will enter the hall. What is the ratio of the number of girls to the number of boys in the hall?

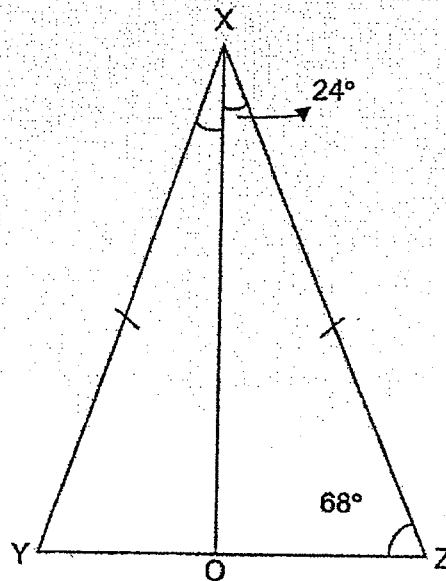
- (1) 3 : 7
- (2) 3 : 10
- (3) 7 : 3
- (4) 7 : 10

5. In the figure, AOD, BOE and COF are straight lines. Find $\angle COD$.

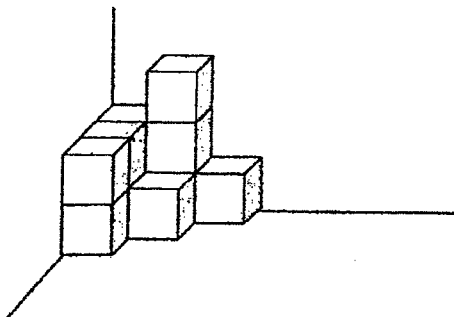


- (1) 31°
- (2) 54°
- (3) 77°
- (4) 113°

6. In the figure below, XYZ is an isosceles triangle.
 $\angle ZXO = 24^\circ$ and $\angle XZO = 68^\circ$. Find $\angle OXY$.



- (1) 20°
 (2) 44°
 (3) 88°
 (4) 92°
7. The solid is formed by stacking 1-cm cubes at the corner of the room. What is the volume of the solid?



- (1) 7 cm^3
 (2) 8 cm^3
 (3) 10 cm^3
 (4) 11 cm^3

8. The ratio of the number of adults to the number of children attending a party is 1 : 5. What fraction of the people attending the party are children?

(1) $\frac{1}{5}$

(2) $\frac{1}{6}$

(3) $\frac{5}{6}$

(4) $\frac{4}{5}$

9. Express 0.001 as a percentage.

(1) 1%

(2) 0.1%

(3) 0.01%

(4) 10%

10. The average pocket money of 3 boys is \$24. Find the total amount of pocket money of the 3 boys.

(1) \$8

(2) \$21

(3) \$72

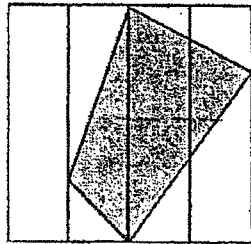
(4) \$216

11. Kenisha has 80 pieces of ribbons. Each piece of ribbon is 1.04 m long. What is the total length of the 80 pieces of ribbons?
- (1) 8.32 cm
 - (2) 83.2 cm
 - (3) 832 cm
 - (4) 8320 cm
12. Melissa cut a pie into 10 equal pieces. She ate 3 pieces and gave a few pieces to her father. After that, $\frac{1}{5}$ of the pie was left. What fraction of the pie did Melissa give to her father?
- (1) $\frac{1}{2}$
 - (2) $\frac{3}{5}$
 - (3) $\frac{3}{10}$
 - (4) $\frac{7}{10}$
13. Mr Selva had 3 kg of sand. He used $\frac{2}{3}$ of the sand and threw away $\frac{1}{6}$ kg of the sand. How much sand was Mr Selva left with?
- (1) $\frac{1}{6}$ kg
 - (2) $\frac{5}{6}$ kg
 - (3) $\frac{7}{9}$ kg
 - (4) $\frac{13}{6}$ kg

14. Boston has an equal number of twenty-cent and fifty-cent coins. The total value of his coins is \$14. How many coins does Boston have altogether?

- (1) 20
- (2) 28
- (3) 40
- (4) 70

15. The figure below is made up of 4 identical rectangles. What fraction of the figure is shaded? Give your answer in its simplest form.



- (1) $\frac{1}{4}$
- (2) $\frac{1}{2}$
- (3) $\frac{3}{4}$
- (4) $\frac{3}{8}$

(End of Booklet A)



Rosyth School
End-of-Year Examination 2022
Mathematics
Paper 1
Primary 5

Name: _____

Register No.: _____

Class: Pr 5 - _____

Date: 27 October 2022

Parent's Signature: _____

Total Time for Booklets A and B : 1 hour

Booklet B

Instructions to Pupils:

1. Do not turn over this page until you are told to do so.
2. Follow all instructions carefully.
3. Answer all questions.
4. Use a dark blue or black ballpoint pen to write your answers in the space provided for each question.
5. Do not use correction fluid/tape or highlighters.
6. You are not allowed to use a calculator.

Section	Maximum Mark	Marks Obtained
Paper 1 (Booklet B)	25	

* This booklet consists of 9 pages (including this cover page).

Questions 16 to 20 carry 1 mark each. Write your answers in the spaces provided.
For questions which require units, give your answers in the units stated.

Do not write
in this space

All diagrams in this paper are not drawn to scale unless stated otherwise.
(5 marks)

16. Write down a decimal that is greater than $\frac{1}{5}$ but smaller than $\frac{1}{4}$. Give your answer in 2 decimal places.

Ans: _____

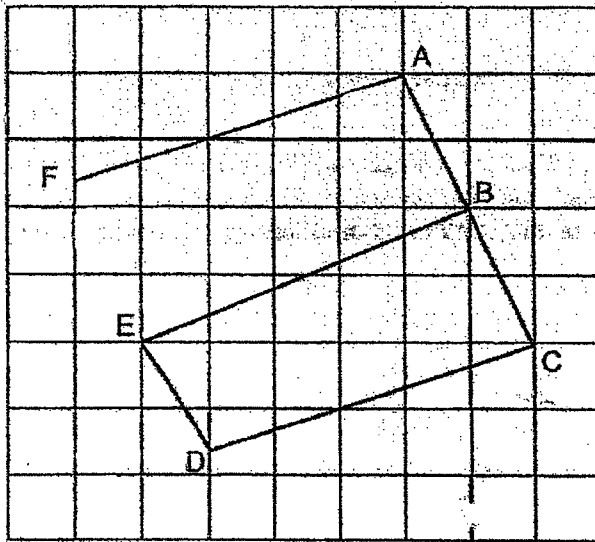
17. What is the value of $7 + 3 \times 6 - 3$?

Ans: _____

18. Find the value of $\frac{2}{9} \times \frac{27}{8}$.
Give your answer as a fraction in the simplest form.

Ans: _____

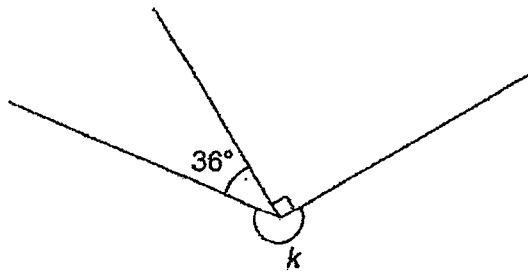
19. Which two lines in the square grid are parallel to each other?



Do not write
in this space

Ans: Line _____ // Line _____

20. In the figure below, find the value of $\angle k$.



Ans: _____ °

Questions 21 to 30 carry 2 marks each. Show your workings clearly in the space provided for each question and write your answers in the spaces provided. For questions which require units, give your answers in the units stated. Do not write in this space

All diagrams in this paper are not drawn to scale unless stated otherwise.
(20 marks)

21. Alynna wanted to multiply a number by 20. Instead of pressing the multiplication sign, she pressed the division sign on the calculator. She obtained the incorrect answer of 112.2. What should the correct answer be?

Ans: _____

22. The students in a school take the bus, walk or cycle home in the ratio of 6 : 1 : 2. 189 students walk to school, how many students are there in the school?

Ans: _____

23. Mrs Liew deposits \$90 000 in a bank for one year. The interest rate is 2% per year. What is the total amount of money she will have in the bank at the end of one year?

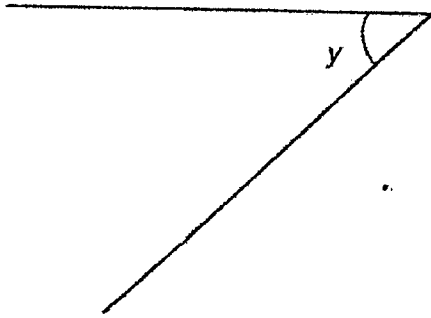
Do not write
in this space

Ans: \$ _____

24. A container of sweets was shared equally among 20 children. 4 of them gave all their sweets to the rest of the children. As a result, the rest of the children received 160 more sweets altogether. How many sweets were there in the container at first?

Ans: _____

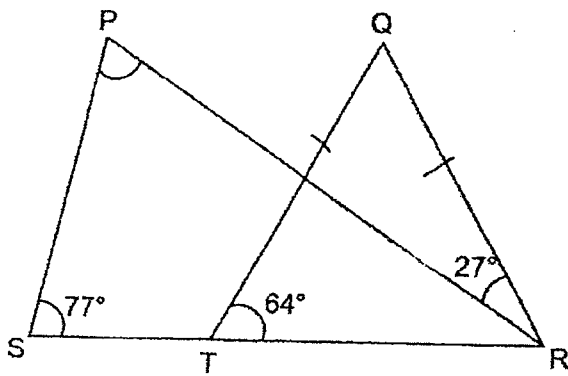
25. Measure and write down the size of $\angle y$.



Do not write
in this space

Ans: _____ °

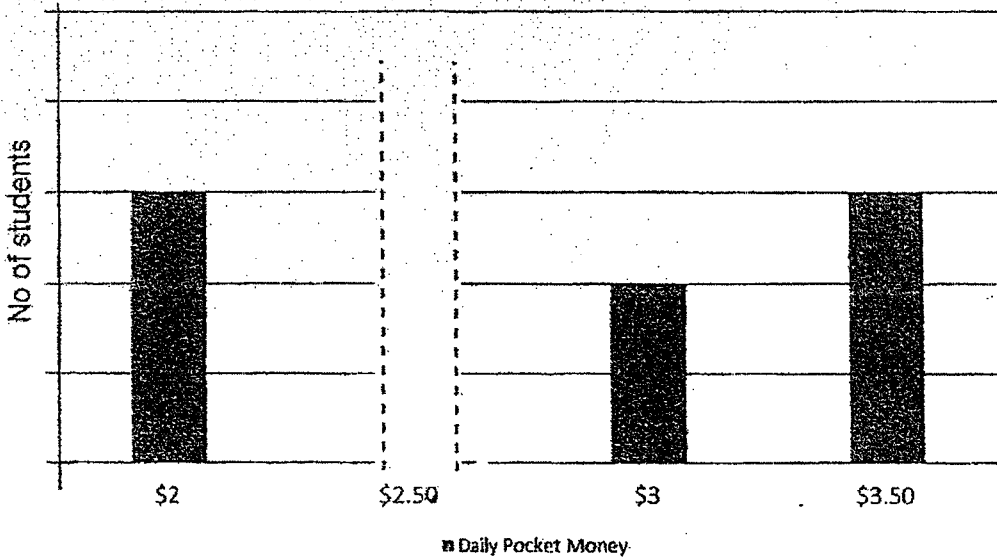
26. In the figure below, $\triangle PRS$ and $\triangle QRT$ are triangles. RTS is a straight line and $QT = QR$. $\angle QTR = 64^\circ$, $\angle QRP = 27^\circ$ and $\angle PST = 77^\circ$. Find $\angle SPR$.



Ans: _____ °

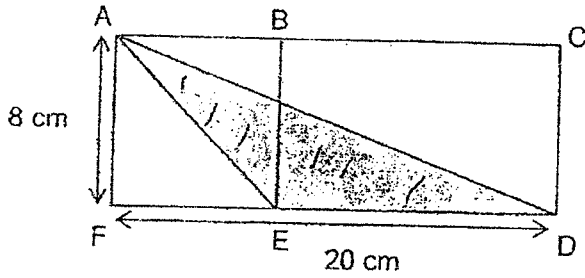
27. The bar graph shows the daily pocket money some students receive from their parents. $\frac{1}{5}$ of these students receive \$2.50 for their pocket money daily. Draw the bar that shows the number of students who receive \$2.50 for their pocket money daily.

Do not write in this space



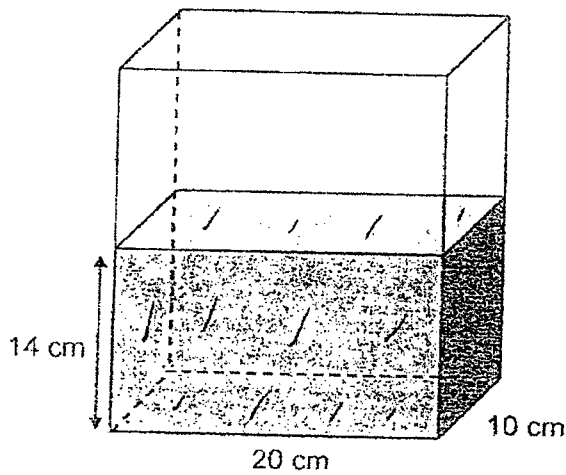
28. The figure shown below is made up of square ABEF and rectangle BCDE. FD = 20 cm and AF = 8 cm. Find the area of the shaded triangle ADE.

Do not write in this space



Ans: _____ cm²

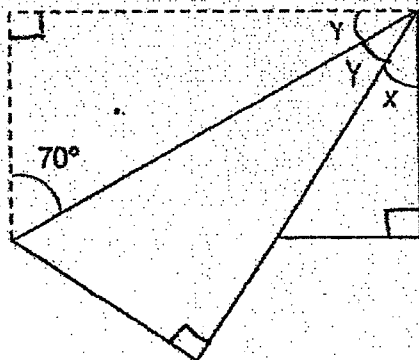
29. A rectangular container is filled with water to a depth of 14 cm. Hannah pours another 1.05 litres of water into the container. How much water is there in the container in the end? Express your answer in litres and millilitres.



Ans: _____ l _____ ml

30. A rectangular piece of paper was folded as shown below. Find $\angle x$.

Do not write
in this space



Ans: _____



End of Paper
Have you checked your work?
9



Rosyth School
End-of-Year Examination 2022
Mathematics Paper 2
Primary 5

Name: _____

Register No. _____

Class: Pr 5 - _____

Date: 27 October 2022

Parent's Signature: _____

Time: 1 h 30 min

PAPER 2

Instructions to Pupils:

1. Do not turn over this page until you are told to do so.
2. Follow all instructions carefully.
3. Answer all questions.
4. Use a dark blue or black ballpoint pen to write your answers in the space provided for each question.
5. Do not use correction fluid/tape or highlighters.
6. The use of an approved calculator is allowed.

Questions	Maximum Mark	Marks Obtained
Q 1 to 5	10	
Q 6 to 17	45	

Section	Maximum Mark	Marks Obtained
Paper 1	45	
Paper 2	55	
Total	100	

* This booklet consists of 14 pages (including this cover page)

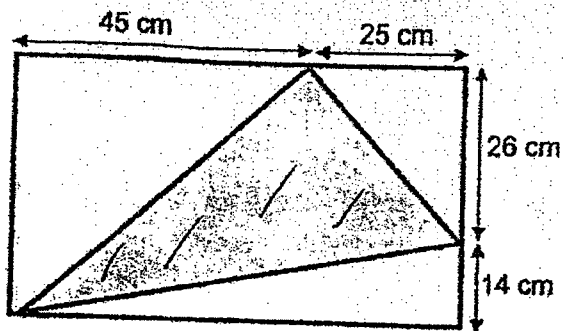
Questions 1 to 5 carry 2 marks each. Show your working clearly in the space provided for each question and write your answers in the spaces provided. For questions which require units, give your answers in the units stated.

(10 marks)

All diagrams in this paper are not drawn to scale unless stated otherwise.

Do not write
in this space

1. A shaded triangle is drawn inside a rectangle in the diagram shown below. Find the area of the shaded triangle.



Ans: _____ cm²



2. The table below shows the parking charges at a shopping mall.

Hours	Charges
1 st hour or part thereof	\$2.80
Subsequent 30 minutes or part thereof	\$0.90

Mr Wong parked his car at the shopping mall from 5.45 p.m. to 7.55 p.m.
How much was his parking charges?

Ans: \$ _____

Do not write
in this space

3. Sam had \$340 more than John.
Daniel had twice as much money as Sam.
The total amount of money that Sam and Daniel had was \$1230.
How much money did John have?

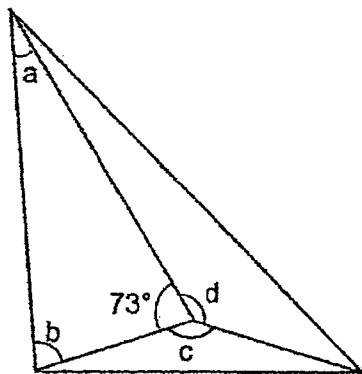
Ans: \$ _____

4. Daryl and James spent an average of \$12.20 on their dinner. Daryl spent \$2.40 less than James, how much did James spend on his dinner?

Do not write in this space

Ans: \$ _____

5. The figure is made up of 3 triangles. Find the sum of $\angle a + \angle b + \angle c + \angle d$.



Ans: _____ °

For Questions 6 to 17, show your working clearly in the space provided for each question and write your answers in the spaces provided. The number of marks available is shown in brackets [] at the end of each question or part-question. For questions which require units, give your answers in the units stated. (45 marks)

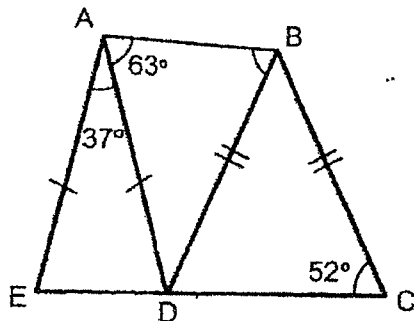
Do not write
in this space

All diagrams in this paper are not drawn to scale unless stated otherwise.

6. Mdm Ong had some sugar. She used $\frac{3}{7}$ of it to make lollipops. She then used $\frac{2}{5}$ of the remainder to make muffins. 210 kg of the sugar was left. What was the amount of sugar that she had at first?

Ans: _____ [3]

7. The figure below is made up of 3 different triangles, ADE, ABD and BCD. ADE and BCD are isosceles triangles. $\angle DAE$ is 37° and $\angle BAD$ is 63° . EDC is a straight line. Find $\angle ABD$.



Ans: _____ [3]

8. At a funfair, the ratio of the number of children to the number of adults was 4 : 9. The ratio of the boys to the number of girls was 3 : 4. There was a total of 64 girls. How many adults were there altogether?

Do not write
in this space

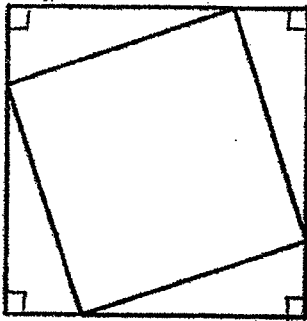
Ans: _____ [3]

9. A box with 9 identical ring files has a mass of 2 kg 2 g. The same box with 14 such ring files has a mass of 2642 g. What is the mass of the box? Give your answer in kg.

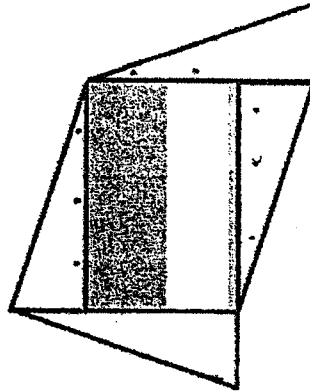
Ans: _____ [3]

10. 4 identical right-angled triangles were cut out from a piece of square paper. The piece of square paper has an area of 64 cm^2 . The 4 right-angled triangles were used to form the shape as shown below on the right. The perimeter of the shaded rectangle formed is 20 cm. Find the area of the shaded rectangle.

Do not write
in this space



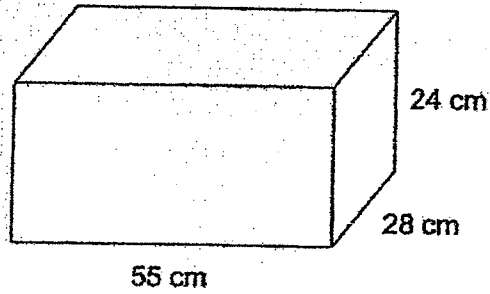
Square Paper



Ans: _____ [3]



11. James had a rectangular container measuring 55 cm by 28 cm by 24 cm. It was $\frac{5}{8}$ filled with water. James then poured out $\frac{1}{4}$ of the water. How much water remained in the container? Leave your answer in litres and millilitres.



Do not write
in this space

Ans: _____ [4]



12. Ahmad spent \$112 for 5 identical books and 5 identical pens. The cost of 4 pens is the same as 3 books. What is the cost of 1 pen?

Do not write
in this space

Ans: _____ [4]

13. Elena bought many types of toys at an average cost of \$12. She then bought one of each of the following two toys and the average cost of all her toys became \$14.

Do not write
in this space



\$28



\$10

- (a) How many toys did she buy in total?

Ans: (a) _____ [3]

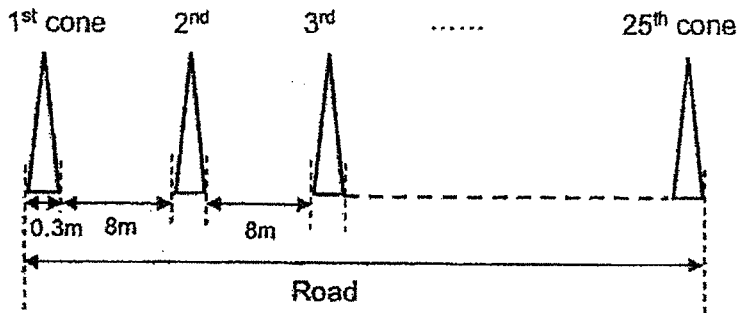
- (b) What was the total cost of all her toys that she bought?

Ans: (b) _____ [1]



14. There were 25 similar cones that are placed at equal distance along a straight road. The first cone was placed at the start of the road and the 25th cone is placed exactly at the end of the road as shown below. The length of the base of each cone was 0.3 m and the distance between 2 cones was 8 m.

Do not write
in this space



- (a) Find the length of the road.

Ans: _____ [1]

- (b) 4 of the cones were removed and the rest of the cones were rearranged at equal distance from one another with the first cone placed at the start of the road and the last cone at the end of the road. What was the new distance between each of the cones?

Ans: _____ [3]



15. There are some red, green and black beans in a tin. 28% of the beans in the tin are red. The ratio of the number of the green beans to the number of black beans is 8 : 1. There are 468 more green beans than red beans. How many red beans are there?

Do not write
in this space

Ans: _____ [4]

16. The 2 tables below show the delivery fee for parcels of 2 different companies, Fast Express and SaSamoveit.

The delivery fee is made up of 2 parts, a service fee and a fee based on distance.

Company	Service fee	First 5 km	Above 5 km
Fast Express	\$9	\$1.20 per km or part thereof.	\$0.70 per km or part thereof.

Company	Service fee	First 3 km	Above 3 km
SaSamoveit	\$12	\$1 per km or part thereof.	\$0.45 per km or part thereof.

- (a) Mr Lee wants to send a parcel from RH School to NR School which is 4.4 km away.

What is the delivery fee he needs to pay if he uses SaSamoveit?

Ans: (a) _____ [2]

- (b) Mrs Wen wants to send a parcel from her house to her friend's house which is 8.7 km away.

- (i) Which company should she choose to save money? Circle the correct company.

Fast Express / **SaSamoveit.** [1]

- (ii) How much will she save when she uses the cheaper company?

Ans: (bii) _____ [2]

Do not write
in this space

17. Eddie had some engine oil. He sold $\frac{2}{3}$ of his engine oil on Monday. He then sold $\frac{4}{9}$ of the remainder and an extra 340 litres on Tuesday. On Wednesday, he sold $\frac{1}{2}$ of the remainder and an extra 200 litres. Eddie then kept the remaining 1260 litres of engine oil for himself. How much engine oil did he have at first?

Do not write
in this space

Ans: _____ [5]



End of paper
Have you checked your work?

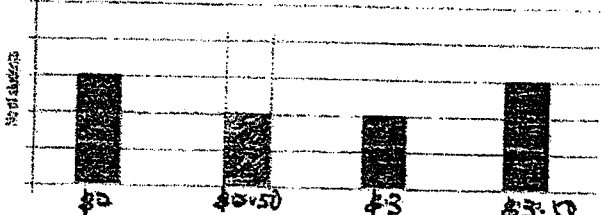
YEAR : 2022
 LEVEL : PRIMARY 5
 SCHOOL : ROYSTH SCHOOL
 SUBJECT : MATHEMATICS
 TERM : END OF YEAR EXAMINATION

PAPER 1 (BOOKLET A)

Q1	1	Q2	4	Q3	2	Q4	1	Q5	3
Q6	1	Q7	4	Q8	3	Q9	2	Q10	3
Q11	4	Q12	1	Q13	2	Q14	3	Q15	4

(BOOKLET B)

Q16	0.23	
Q17	$7 + 3 \times 6 - 3$ $= 7 + 18 - 3$ $= 25 - 3$ $= 22$	
Q18	$\frac{2}{9} \times \frac{27}{8} = \frac{54}{72}$ $= \frac{3}{4}$ $\frac{2}{9} \times \frac{27}{8} = \frac{54}{72}$ $= \frac{3}{4}$	
Q19	Line AF // Line CD	
Q20	$K : 360 - 36 - 90$ $= 270 - 36$ $= 234^\circ$	
Q21	Original : $112.2 \times 20 = 2244$ Correct answer : $2244 \times 20 = 44880$	
Q22	B : W : C $6 : 1 : 2$ $6 + 1 + 2 = 9$ $189 \times 9 = 1701$	
Q23	$90\,000 \times \frac{102}{100} = \$91\,800$	
Q24	1 children : $160 \div 4 = 40$ total : $20 \times 40 = 800$	
Q25	43°	
Q26	PRS : $64 - 27 = 37$ SPR : $180 - 77 - 37 = 66^\circ$	

Q27	
Q28	$ED : 20 - 8 = 12$ $ADE : 12 \times 8 \times \frac{1}{2} = 48\text{cm}^2$
Q29	$14 \times 20 \times 10 = 2800$ $2.8 + 1.05 = 3.850$ $3\text{¢ } 850\text{ml}$
Q30	$Y : 180 - 70 - 90 = 20$ $X : 90 - 20 - 20 = 50^\circ$

YEAR : 2022
 LEVEL : PRIMARY 5
 SCHOOL : ROYSTH SCHOOL
 SUBJECT : MATHEMATICS
 TERM : END OF YEAR EXAMINATION

PAPER 2

Q1	$A : 45 \times (26 + 14) \times \frac{1}{2} = 900$ $B : 25 \times 26 \times \frac{1}{2} = 325$ $C : 14 \times (25 + 45) \times \frac{1}{2} = 490$ shaded triangle : total $(45 + 25) \times (26 + 14) = 2800$ $2800 - 900 - 325 - 490 = 1085 \text{ cm}^2$	
Q2	Total $- 2.80 + 1.80 + 0.90 = \$5.50$	
Q3	$u : 1230 \div 3 = 410$ John : $410 - 340 = \$70$	
Q4	Total : $12.20 \times 2 = 24.40$ $2u : 24.40 - 2.40 = 220$ $u : 22 \div 2 = 11$ James : $11 + 2.40 = \$13.40$	
Q5	$a + b = 180 - 73 = 107$ $d + c = 360 - 73 = 287$ total : $107 + 287 = 394^\circ$	
Q6	$u : 210 \div 3 = 70$ $5u : 70 \times 5 = 350$ $u : 350 \div 4 = 87.5$ $7u : 87.5 \times 7 = 612.5\text{kg}$	
Q7	$X : (180 - 37) \div 2 = 71.5^\circ$ $Y : 180 - 52 - 71.5 = 56.5$ $ABD : 180 - 63 - 56.5 = 60.5^\circ$	
Q8	C : A 4 : 9 28 : 63 B : G : Total 3 : 4 : 7 12 : 16 : 28 $u : 64 \div 16 = 4$ adults : $63 \times 4 = 252$	
Q9	$9r + 1b = 2002\text{g}$ $14r + 1b = 2642\text{g}$ $14 - 9 = 5$ 5 ring files : $2642 - 2002 = 640$ 1 ring file : $640 \div 5 = 128$ 9 ring file : $128 \times 9 = 1152$ 1 box : $2002 - 1152 = 850$ $850\text{g} = 0.85\text{kg}$	

Q10	$64\text{cm}^2 = 8 \times 8$ $L + b : 20 \div 2 = 10$ $u : 10 \div 5 = 2$ area : $4 \times 6 = 24$ length : $3 \times 2 = 6$ breadth : $2 \times 2 = 4$ $6 \times 4 = 24\text{cm}^2$
Q11	Volume : $55 \times 28 \times 15 = 23100$ Remaining : $23100 \times \frac{3}{4} = 17325$ $17325\text{ml} = 17\text{E } 325\text{ml}$
Q12	$4p = 3b$ $5p = 3\frac{3}{4}b$ 1 book : $112 \div 8\frac{3}{4} = 12.80$ 3 books : $12.80 \times 3 = 38.40$ 1 pen : $38.40 \div 4 = \$9.60$
Q13	a) cost : $28 + 10 = 38$ $38 - 28 = 10$ $1u : 10 \div 2 = 5$ $5 + 2 = 7$
	b) $12 \times 2 = 24$ $38 - 24 = 14$ $14 - 12 = 2$ $14 \div 2 = 7$ $14 \times 7 = \$98$
Q14	a) $0.3 \times 25 = 7.5$ $8 \times 24 = 192$ $192 + 7.5 = 199.5\text{m}$
	b) distance : $199.5 - (21 \times 0.3) = 193.2$ new distance : $193.2 \div 20 = 9.66\text{m}$
Q15	R : G : B : Total $8 : 1$ $28 : 64 : 8 : 100$ difference : $64 - 28 = 36$ $1u : 468 \div 36 = 13$ red beans : $13 \times 28 = 364$
Q16	a) $3\text{km} : 1 \times 3 = 3$ $1.4\text{km} : 0.45 \times 2 = 0.9$ Total : $0.9 + 3 + 12 = \$15.90$
	b) (i) SaSamoveit (ii) (Fast Express) $5\text{km} - 1.20 \times 5 = 6$ $3.7\text{km} : 0.7 \times 4 = 2.8$ total : $6 + 2.8 + 9 = 17.80$ (SoSamoveit) $3\text{km} : 1 \times 3 = 3$ $5.7 : 0.45 \times 6 = 2.7$ total : $3 + 2.7 + 12 = 17.70$ (bii) \$0.10

Q17	$\frac{1}{2} : 1260 + 200 = 1460$
	Wednesday : $1460 \times 2 = 2920$
	$\frac{5}{9} : 2920 + 340 = 3260$
	Tuesday : $3260 \times \frac{9}{5} = 5868$
	$\frac{1}{3} : 5868$
	total : $5868 \times \frac{3}{1} = 17604$

5
210

