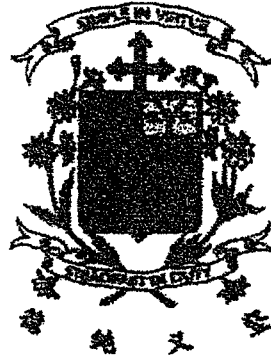


Name: \_\_\_\_\_ ( )

Class: Primary 5 \_\_\_\_\_

## CHIJ ST NICHOLAS GIRLS' SCHOOL (PRIMARY)



## Primary 5 Mathematics

## 2022 Term 3 Weighted Assessment

## Paper 1

## Booklet A

22 August 2022

15 questions  
20 marks

Total Time for Booklets A and B: 1 hour

**INSTRUCTIONS TO CANDIDATES**

Do not turn over this page until you are told to do so.  
Follow all instructions carefully.  
Answer all questions.  
Write your answers in this booklet.  
The use of calculators is **NOT** allowed.

This booklet consists of 8 printed pages.

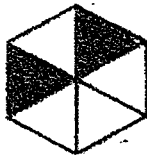
Questions 1 to 10 carry 1 mark each. Questions 11 to 15 carry 2 marks each. For each question, four options are given. One of them is the correct answer. Make your choice (1, 2, 3 or 4). Shade the correct oval (1, 2, 3, or 4) on the Optical Answer Sheet. (20 marks)

---

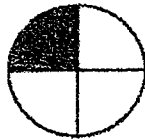
1. Which one of the following is two hundred and seven thousand and eleven in numerals?

- (1) 2711
- (2) 27 011
- (3) 207 011
- (4) 270 011

2. Which one of the following shows  $\frac{1}{3}$  of the figure shaded?



(1)



(2)



(3)

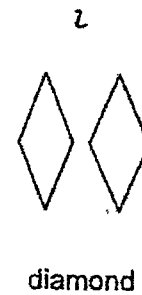
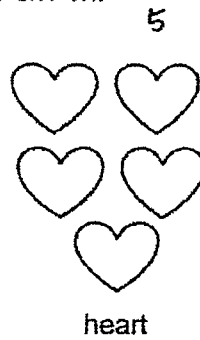
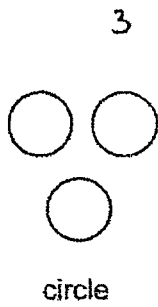


(4)

3. In the number 56.79, which digit is in the tenths place?

- (1) 5
- (2) 6
- (3) 7
- (4) 9

4. Colina drew some shapes as shown.

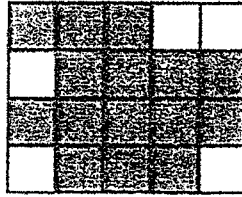


What is the ratio of the number of diamonds to the total number of shapes?

- (1) 1 : 5  
(2) 1 : 4  
(3) 1 : 3  
(4) 1 : 2
5. What is the possible mass of a Primary 5B Mathematics Workbook?

- (1) 4000 g  
(2) 400 g  
(3) 40 g  
(4) 4 g

6. What percentage of the figure shown below is unshaded?

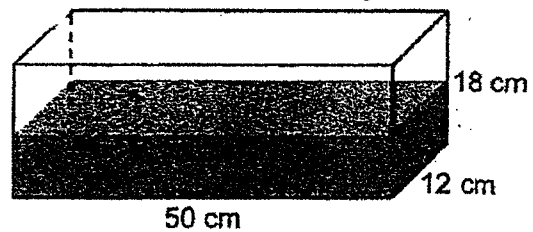


- (1) 5%  
 (2) 15%  
 (3) 25%  
 (4) 75%
7. There are 130 white pins and 70 black pins. What percentage of the pins are black pins?

- (1) 7%  
 (2) 35%  
 (3) 65%  
 (4) 70%

8. A tank measuring 50 cm by 12 cm by 18 cm tall is  $\frac{4}{9}$  filled with water. How much more water is required to fill the tank to its brim?

- (1) 10 800 cm<sup>3</sup>  
 (2) 6000 cm<sup>3</sup>  
 (3) 4800 cm<sup>3</sup>  
 (4) 1200 cm<sup>3</sup>



9. Ping Chen has some gold and silver beads. The ratio of the number of gold beads to the number of silver beads is 5 : 3. She has 120 more gold beads than silver beads. How many beads does she have altogether?

- (1) 480
- (2) 320
- (3) 300
- (4) 192

10. The first 11 letters of a pattern are shown below.

A	B	C	D	A	B	C	D	A	B	C	.....	?
1 <sup>st</sup>										11 <sup>th</sup>		88 <sup>th</sup>

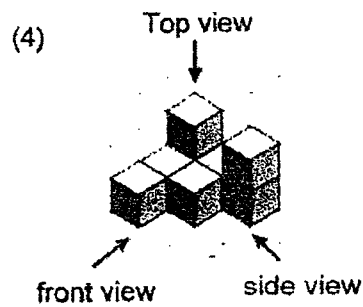
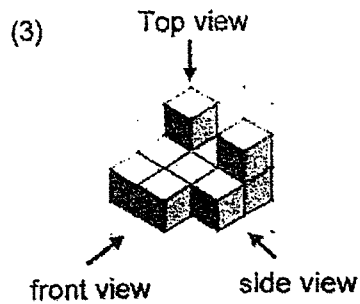
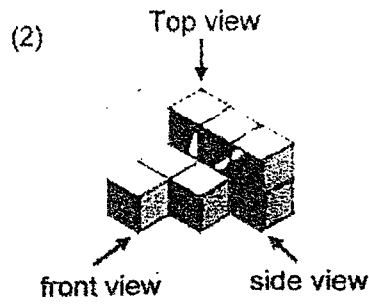
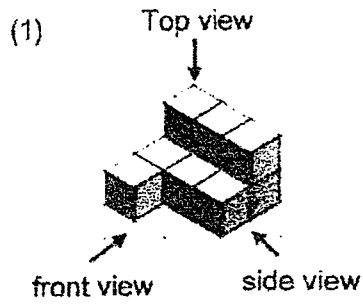
What is the 88<sup>th</sup> letter?

- (1) A
- (2) B
- (3) C
- (4) D

11. Jason drew the top view, front view and side view of a solid figure.

Top View	Front View	Side View

Which one of the following is the possible representation of the solid figure?



12. Mrs Salleh baked some chocolate, mint and walnut cookies.  $\frac{1}{3}$  of the cookies baked were chocolate cookies.  $\frac{1}{6}$  of the remaining cookies were mint cookies and the rest were walnut cookies. What fraction of the cookies baked were walnut cookies?

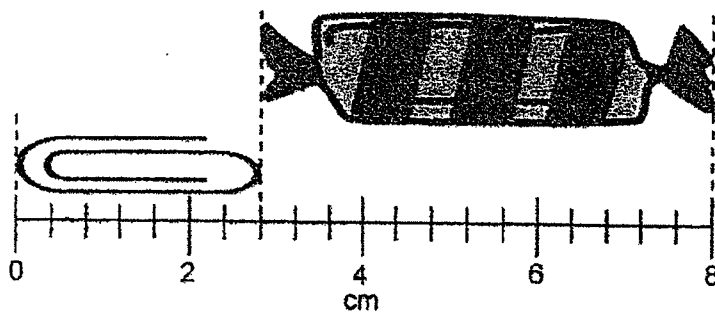
(1)  $\frac{5}{6}$

(2)  $\frac{5}{9}$

(3)  $\frac{1}{2}$

(4)  $\frac{1}{9}$

13. How much longer is the sweet than the paper clip?



- (1) 5.2 cm  
 (2) 2.8 cm  
 (3) 2.4 cm  
 (4) 2.0 cm

14. This year, Indra is 8 years old. Last year, Indra's father was five times of Indra's age. How old is Indra's father this year?

- (1) 35
- (2) 36
- (3) 40
- (4) 41

15. Aisha had 60 balloons at first. She used half of the total number of balloons for a party. Her mother then bought her another 12 balloons. Aisha gave all the balloons she had in the end equally to 6 friends. How many balloons did each friend receive?

- (1)  $(60 \div 2) + 12 \div 6$
- (2)  $60 \div (2 + 12) \div 6$
- (3)  $(60 \div 2 + 12) \div 6$
- (4)  $60 \div (2 + 12 \div 6)$



Name: \_\_\_\_\_ ( )

Class: Primary 5 \_\_\_\_\_

**CHIJ ST NICHOLAS GIRLS' SCHOOL (PRIMARY)**

Primary 5 Mathematics

2022 Term 3 Weighted Assessment

Paper 1

Booklet B

22 August 2022

15 questions  
25 marks

Booklet A	20
Booklet B	25
<b>Total (Paper 1)</b>	<b>45</b>

**Total Time for Booklets A and B: 1 hour**

**INSTRUCTIONS TO CANDIDATES**

Do not turn over this page until you are told to do so.

Follow all instructions carefully.

Answer all questions.

Write your answers in this booklet.

The use of calculators is **NOT** allowed.

This booklet consists of 10 printed pages.

Questions 16 to 20 carry 1 mark each. Show your working clearly and write your answers in the spaces provided. For questions which require units, give your answers in the units stated. (5 marks)

Do not write  
in this space

16. Round 15 483 to the nearest hundred.

Ans: \_\_\_\_\_

17. Find the value of  $\frac{6}{10} \times \frac{4}{3}$ .

Give your answer as a fraction in the simplest form.

Ans: \_\_\_\_\_

18. Find the value of  $1.59 \times 90$ .

Ans: \_\_\_\_\_

2

MARKS:

19. What is the missing number in the box?

$$\begin{array}{l} 3 : 13 : 9 \\ = 18 : \boxed{?} : 54 \end{array}$$

Do not write  
in this space

Ans: \_\_\_\_\_

20. Fill in the blank.

$$1048 \text{ cm} = \underline{\hspace{2cm}} \text{ m}$$

Ans: \_\_\_\_\_

3

MARKS:

Questions 21 to 30 carry 2 marks each. Show your working clearly and write your answers in the spaces provided. For questions which require units, give your answers in the units stated. (20 marks)

Do not write  
in this space

21. Best Buy Stationery Shop sells the following:

Item	Price (each)
Ruler	\$1.05
Pencil	90¢
Eraser	55¢

Mrs Munah bought 3 rulers, 2 pencils and 1 eraser. How much money did she spend altogether?

Ans: \$ \_\_\_\_\_

22. A total of 4002 children and adults were at a carnival. There were 200 more children than adults. How many children were there?

Ans: \_\_\_\_\_

4

MARKS:

23. At first, Stacy spent  $\frac{3}{10}$  of her money on food and \$135 on a bag. She was left with  $\frac{1}{4}$  of her money. How much did Stacy have at first?

Do not write  
in this space

Ans: \$ \_\_\_\_\_

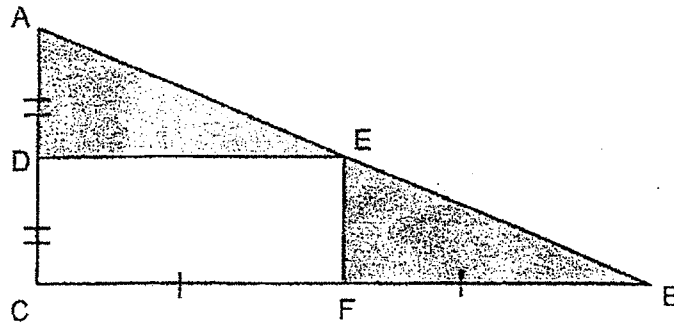
24. Joanne bought some keychains and candles for an event. The ratio of the number of keychains to the number of candles bought was 3 : 8. Joanne bought 168 keychains. How many candles did she buy?

Ans: \_\_\_\_\_

5

MARKS:

25. Triangle ABC is made up of a rectangle and 2 small triangles.



$AC = 10$  cm and  $BC = 24$  cm.  $AD = DC$  and  $CF = FB$ .

What is the total area of the shaded part?

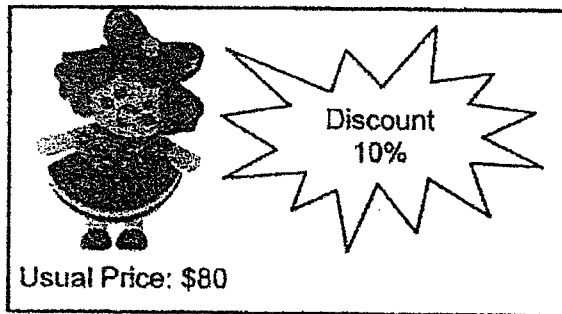
Ans: \_\_\_\_\_  $\text{cm}^2$

26. A bank paid 1% interest at the end of each year. Mr Ong had \$3000 at the start of the year in his account. He did not withdraw any of his money. How much money did he have in his account at the end of the year?

Ans: \$ \_\_\_\_\_

Do not write  
in this space

27. Beth saves \$7 every week. She wants to buy a toy doll.



Do not write  
in this space

What is the least number of weeks she needs to save before she is able to buy the toy doll?

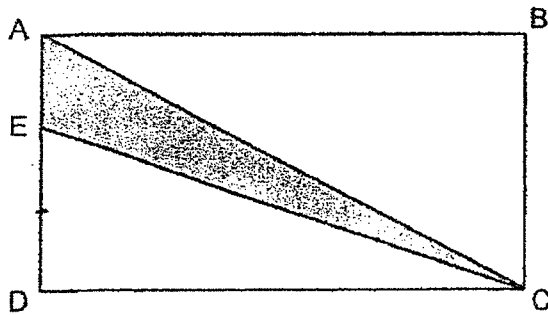
Ans: \_\_\_\_\_

7

MARKS:

28. Rectangle ABCD is made up of 3 triangles ABC, ACE and CDE. The area of rectangle ABCD is  $450 \text{ cm}^2$ . The length of AD is three times the length of AE. What is the area of the shaded triangle ACE?

Do not write  
in this space



Ans: \_\_\_\_\_  $\text{cm}^2$

8

MARKS:



29. At first, there were some children at a party. During lunch, some children left the party.  $\frac{3}{7}$  of the total number of children remained at the party. After lunch, another 27 children joined the party. In the end, there were 3 more children than the number of children at first.

*Each of the statement is either true, false or not possible to tell from the information given. For each statement, put a tick (✓) to indicate your answer.*

Statement	True	False	Not possible to tell
At first, there were 42 children at the party.			
There were more girls than boys at the party in the end.			

Do not write in this space

30. 1 storybook and 2 similar water bottle cost \$90.  
2 similar storybooks cost as much as 5 similar water bottle.  
How much does 1 water bottle cost?

Do not write  
in this space

Ans: \$ \_\_\_\_\_

End of Paper

10

MARKS:

YEAR : 2022  
 LEVEL : PRIMARY 5  
 SCHOOL : CHIJ ST NICHOLAS GIRLS' SCHOOL  
 SUBJECT : MATHEMATICS  
 TERM. : TERM 3 WEIGHTED ASSESSMENT

## PAPER 1 (BOOKLET A)

Q1	3	Q2	1	Q3	3	Q4	1	Q5	2
Q6	3	Q7	2	Q8	2	Q9	1	Q10	4
Q11	4	Q12	2	Q13	3	Q14	2	Q15	3

## (BOOKLET B)

Q16	15500
Q17	$\frac{6}{10} \times \frac{4}{5}$ $= \frac{8}{10}$ $= \frac{4}{5}$
Q18	$1.59 = \frac{159}{100}$ $\frac{159}{100} \times \frac{90}{1}$ $= 143\frac{1}{10}$
Q19	$54 \div 9 = 6$ $13 \times 6 = 78$
Q20	10.48m
Q21	$1.05 \times 3 = 3.15$ $0.9 \times 2 = 1.8$ $3.15 + 1.8 + 0.55 = \$5.50$
Q22	$4002 - 200 = 3802$ $3802 \div 2 = 1901$ $1901 + 200 = 2101$
Q23	$\frac{3}{4} = \frac{12}{40}$ $1 - \frac{12}{40} = \frac{28}{40}$ $\frac{1}{4} = \frac{10}{40}$ $\frac{28}{40} - \frac{10}{40} = \frac{18}{40}$ $135 \div 18 = 7.5$ $7.5 \times 40 = \$300$
Q24	$168 \div 3 = 56$ $56 \times 8 = 448$
Q25	$1 + 1 = 2$ $10 \div 2 = 5$ $24 \div 2 = 12$ $\frac{1}{2} \times 12 \times 5 = 30$ $30 \times 2 = 60\text{cm}^2$

Q26	$3000 \div 100 = 30$ $3000 + 30 = \$3030$															
Q27	$80 \div 100 = 0.8$ $0.8 \times 10 = 8$ $80 - 8 = 72$ $72 \div 7 = 10R2$ $10 + 1 = 11$															
Q28	$450 \div 6 = 75\text{cm}^2$															
Q29	<table border="1"> <thead> <tr> <th>Statement</th> <th>True</th> <th>False</th> <th>Not possible to tell</th> </tr> </thead> <tbody> <tr> <td>At first, there were 42 children at the party.</td> <td style="text-align: center;">✓</td> <td></td> <td></td> </tr> <tr> <td>There were more girls than boys at the party in the end.</td> <td></td> <td></td> <td style="text-align: center;">✓</td> </tr> </tbody> </table>				Statement	True	False	Not possible to tell	At first, there were 42 children at the party.	✓			There were more girls than boys at the party in the end.			✓
Statement	True	False	Not possible to tell													
At first, there were 42 children at the party.	✓															
There were more girls than boys at the party in the end.			✓													
Q30	$5 \div 2 = 2.5$ $2 \div 2 = 1$ $1 \times 5 = 5$ $2 \times 5 = 10$ $90 \times 5 = 450$ $10 \div 2.5 = 4$ $4 + 5 = 9$ $450 \div 9 = 50$ $50 \times 2 = 100$ $100 \div 5 = \$20$															

4  
END