

**Ai Tong School  
P5 Mathematics  
2023 Term 2 Review**

Name: \_\_\_\_\_ (      )      Class : 5 \_\_\_\_\_

Date: \_\_\_\_\_      Marks: \_\_\_\_\_/35

Duration: 55 min      Parent's signature: \_\_\_\_\_

**Follow all instructions. Answer all questions.  
You are allowed to use a calculator.**

**Section A**

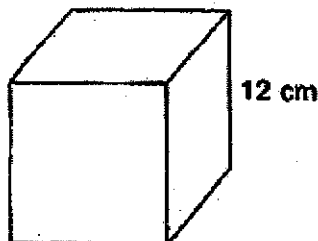
Questions 1 to 5 carry 2 marks each. Show your working clearly in the space provided for each question and write your answers in the spaces provided.

For questions which require units, give your answers in the units stated. (10 marks)

- 1      9 : 5 is equivalent to \_\_\_\_ : 40.  
What is the missing number in the blank?

Ans: \_\_\_\_\_

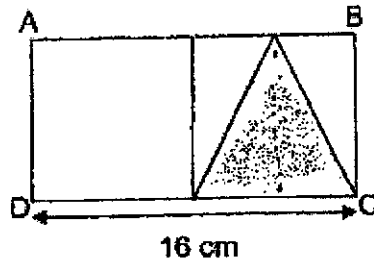
- 2      The cubical container shown has a height of 12 cm. What is its volume?



Ans: \_\_\_\_\_ cm<sup>3</sup>

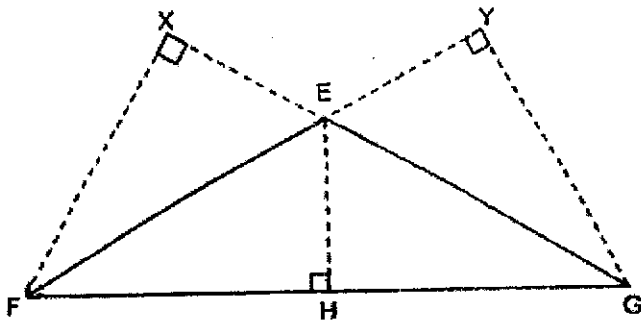


- 3 Two identical squares are joined together below to form figure ABCD. Find the area of the shaded part.



Ans: \_\_\_\_\_ cm<sup>2</sup>

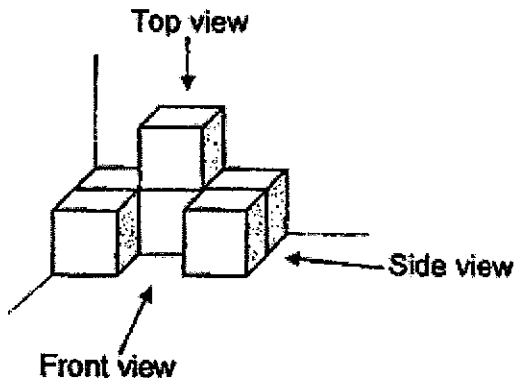
- 4 The figure below shows triangle EFG. EG is the base of the triangle. Which of the following lines is its corresponding height?



Ans: \_\_\_\_\_

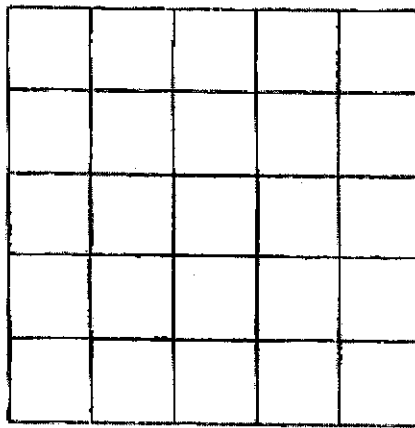


- 5 The figure shows some 1-cm cubes glued together at the corner of a room.
- (a) How many 1-cm cubes are there in the figure?

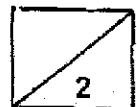


Ans: (a) \_\_\_\_\_

- (b) Draw the side view of the figure in the square grid below.



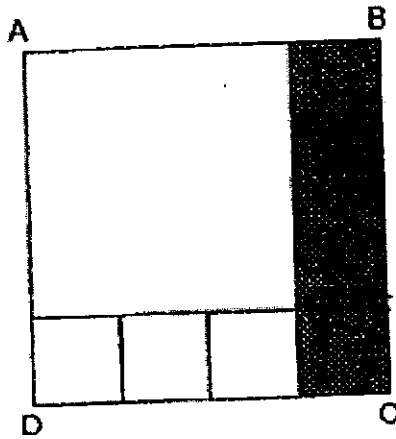
Side view



**Section B**

For questions 6 to 12, show your working clearly in the space provided for each question and write the answers in the spaces provided. The number of marks available is shown in the brackets [ ] at the end of each question or part-question. (25 marks)

- 6 Square ABCD below is made up of 4 identical small squares, 1 rectangle and 1 large square.



- (a) Express the ratio of the area of 1 small square to the total area of the figure.

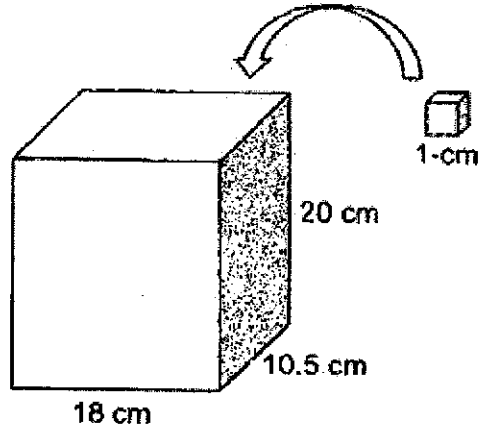
Ans: (a) \_\_\_\_\_ [1]

- (b) The area of the large square is  $144 \text{ cm}^2$   
What is area of the shaded parts?

Ans: (b) \_\_\_\_\_ [2]



- 7 The box shown below is 18 cm long, 10.5 cm wide and 20 cm tall. John fills the box with as many 1-cm cubes as possible. How many such cubes does he fit into the box?



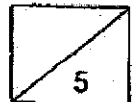
Ans: \_\_\_\_\_ [2]

---

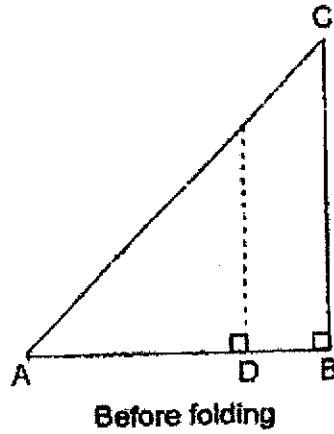
- 8 Jenny had a bottle of juice. She drank 525 ml on Monday and  $\frac{1}{5}$  of the remaining juice on Tuesday. After that, there was  $\frac{1}{2}$  a bottle of juice left. How much juice was there in the bottle at first?

Ans: \_\_\_\_\_ [3]

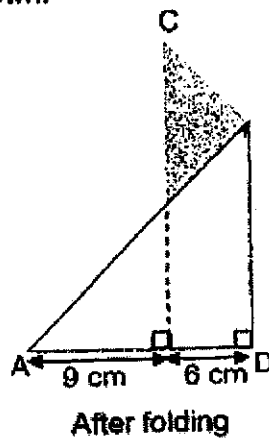
---



- 9 ABC is a piece of paper in the shape of a triangle. AB is perpendicular to BC. AB is of the same length as BC.



It is then folded as shown:



- (a) Find the length of BC of the triangular paper.

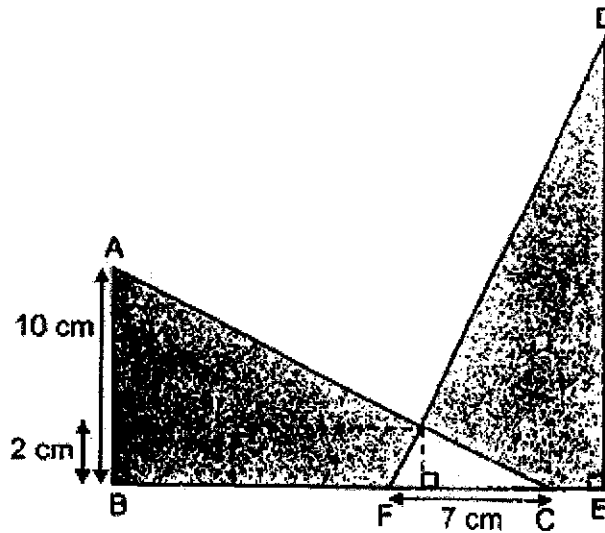
Ans: (a) \_\_\_\_\_ [2]

- (b) Find the area of the piece of triangular paper when it is not folded.

Ans: (b) \_\_\_\_\_ [2]



- 10 In the figure below, triangle ABC and triangle DEF are identical right-angled triangles that overlap with each other. The ratio of BC to FC is 5 : 2. FC is 7 cm.

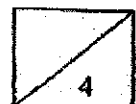


- (a) How long is BC?

Ans: (a) \_\_\_\_\_ [1]

- (b) Find the area of the shaded parts.

Ans: (b) \_\_\_\_\_ [3]



- 11 Joseph and Daniel shared \$884 in the ratio of 6 : 11.  
(a) How much does Daniel have?

Ans: (a) \_\_\_\_\_ [2]

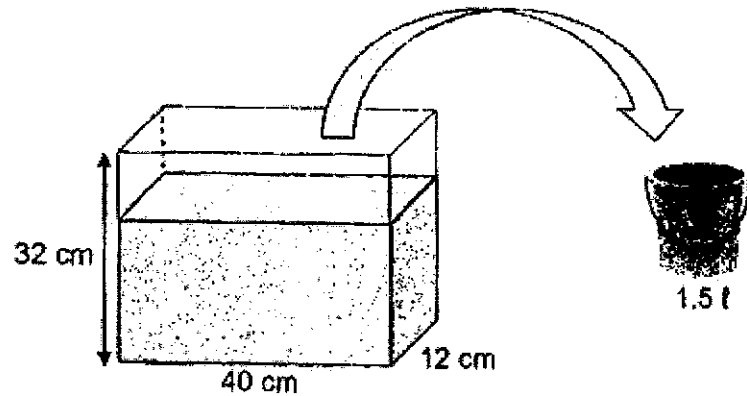
- (b) How much must Daniel give to Joseph so that both of them have an equal amount of money?

Ans: (b) \_\_\_\_\_ [2]





- 12 A tank measuring 40 cm by 12 cm by 32 cm was  $\frac{5}{8}$  filled with water. The water in the tank was then poured into as many pails as possible. Each pail can hold 1.5 t of water.

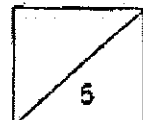


- (a) What was the volume of the water in the tank at first?

Ans: (a) \_\_\_\_\_ [2]

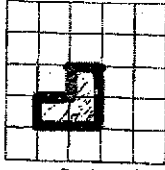
- (b) What was the volume of water left in the tank after filling the pails with water?

Ans: (b) \_\_\_\_\_ [3]





SCHOOL : AITONG SCHOOL  
 LEVEL : PRIMARY 5  
 SUBJECT : MATH  
 TERM : TERM 2 (2023)

Q1)	72
Q2)	$12 \times 12 \times 12 = 1728 \text{ cm}^3$
Q3)	$\frac{1}{2} \times 8 \times 8 = 32 \text{ cm}^2$
Q4)	FX
Q5)	a)6 b)   <small>Side view</small>
Q6)	a)1 : 16 b) $16 \times 4 = 64 \text{ cm}^2$
Q7)	$18 \times 20 \times 10 = 3600$
Q8)	$525 \div 3 = 175$ $175 \times 8 = 1400 \text{ ml}$
Q9)	a) $15 + 6 = 21 \text{ cm}$ b) $\frac{1}{2} \times 21 \times 21 = 220.5 \text{ cm}^2$
Q10)	a) $7 \div 2 = 3.5$ $3.5 \times 5 = 17.5 \text{ cm}$

	<b>b) <math>\frac{1}{2} \times 10 \times 17.5 = 87.5</math> <math>87.5 \times 2 = 175</math> <math>\frac{1}{2} \times 7 \times 8 = 7</math> <math>175 - 7 = 168</math> <math>168 - 7 = 161 \text{ cm}^2</math></b>
<b>Q11)</b>	<b>a) <math>11 + 6 = 17</math> <math>884 \div 17 = 52</math> <math>52 \times 11 = \\$572</math>  b) <math>884 \div 2 = 442</math> <math>442 - 312 = \\$130</math></b>
<b>Q12)</b>	<b>a) <math>40 \times 12 \times 32 = 15360</math> <math>15360 \times \frac{5}{8} = 9600 \text{ ml}</math>  b) <math>600 \text{ ml}</math></b>