

CA1



HENRY PARK PRIMARY SCHOOL  
2021 TERM REVIEW 1  
MATHEMATICS  
PRIMARY 6

PAPER 1  
(BOOKLET A)

Name: \_\_\_\_\_ ( )

Parent's Signature

Class: Primary 6 \_\_\_\_\_

\_\_\_\_\_

Marks:

Paper 1	Booklet A	20
	Booklet B	25
Paper 2		55
Total		100

Total Time for Booklets A and B: 1 hour

Do not turn over this page until you are told to do so.

Follow all instructions carefully.

Answer all questions.

Shade your answers in the Optical Answer Sheet (OAS) provided.

You are **not** allowed to use a calculator.



Questions 1 to 10 carry 1 mark each. Questions 11 to 15 carry 2 marks each.  
For each question, four options are given. One of them is the correct answer.  
Make your choice (1, 2, 3 or 4) and shade your answer in the Optical Answer Sheet.

(20 marks)

1 Which digit in 15.89 is in the tenths place?

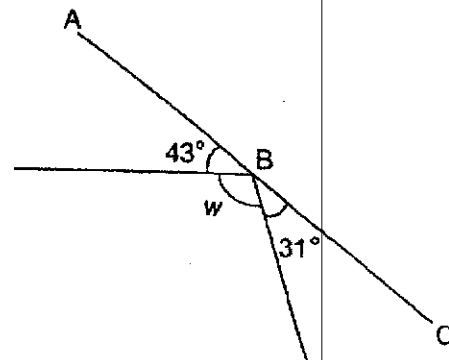
- (1) 1
- (2) 5
- (3) 8
- (4) 9

2 There were 585 640 visitors to a museum last year. Round this number to the nearest thousand.

- (1) 585 000
- (2) 586 000
- (3) 590 000
- (4) 600 000

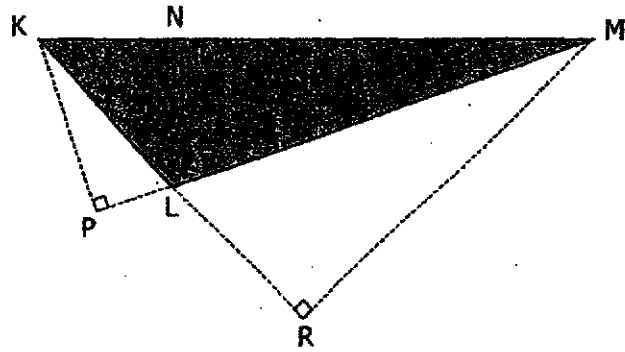
3 In the figure, ABC is a straight line. Find  $\angle w$ .

- (1)  $74^\circ$
- (2)  $90^\circ$
- (3)  $106^\circ$
- (4)  $286^\circ$

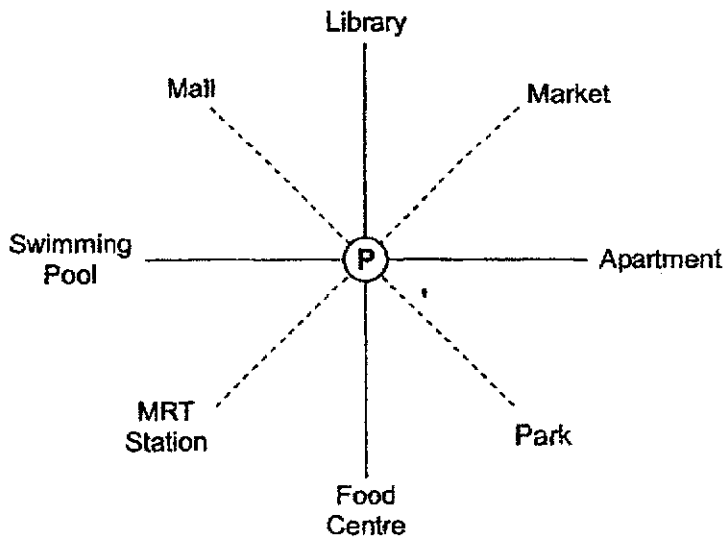


- 4 The figure below shows triangle KLM. Given that LM is the base, which of the following is the height?

- (1) KP
- (2) LN
- (3) KL
- (4) MR



- 5 Pravin is standing at the point marked P in the figure below. He is facing the market. What will he face when he turns  $135^\circ$  clockwise?



- (1) Library
- (2) Apartment
- (3) Food Centre
- (4) Swimming Pool

- 6 Vikram bought 5 identical pens at a bookshop. He gave the cashier \$10 and received a change of \$x. Find the cost of each pen in terms of x.

(1)  $\$(10 - 5x)$

(2)  $\$(10 - \frac{x}{5})$

(3)  $\$(\frac{10 - x}{5})$

(4)  $\$(10x - 5)$

- 7 Arrange the following fractions from the smallest to the largest:

$$\frac{4}{3}, 1\frac{1}{5}, \frac{5}{4}$$

	<u>smallest</u>		<u>largest</u>
(1)	$\frac{4}{3}$	$\frac{5}{4}$	$1\frac{1}{5}$
(2)	$\frac{5}{4}$	$\frac{4}{3}$	$1\frac{1}{5}$
(3)	$1\frac{1}{5}$	$\frac{5}{4}$	$\frac{4}{3}$
(4)	$1\frac{1}{5}$	$\frac{4}{3}$	$\frac{5}{4}$

8 Which of the following is the same as 4090 g?

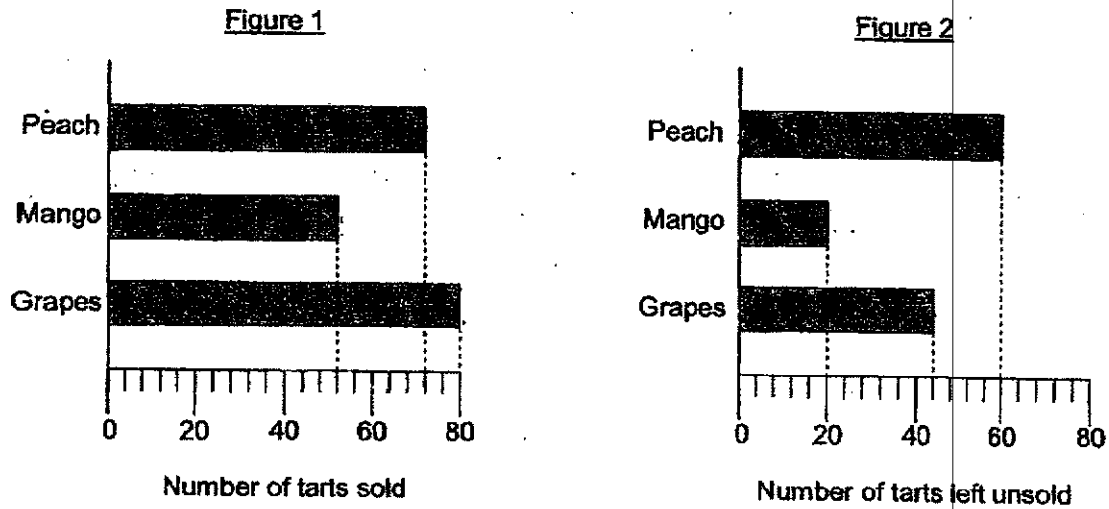
- (1) 4 kg 9 g
- (2) 4 kg 90 g
- (3) 40 kg 9 g
- (4) 40 kg 90 g

9 Lee was in school from 7.20 a.m. to 3 p.m. yesterday. How long was he in school yesterday?

- (1) 4 h 20 min
- (2) 7 h 40 min
- (3) 8 h 20 min
- (4) 8 h 40 min

Use the information below to answer Questions 10 and 11.

Pei baked some tarts to sell at a fundraising event. Figure 1 shows the number of tarts that sold. Figure 2 shows the number of tarts left unsold at the end of the fundraising event.



- 10 How many peach tarts did Pei bake for the fundraising event?
- (1) 123  
 (2) 132  
 (3) 136  
 (4) 138
- 11 Altogether, how many mango and grape tarts were left unsold at the end of the fundraising event?
- (1) 64  
 (2) 124  
 (3) 132  
 (4) 160

- 12 Anna, Bala and Charlie shared an amount of money in the ratio 7 : 2 : 4. The average amount of money that each child received was \$39. How much more money did Anna receive than Charlie?

- (1) \$9
- (2) \$27
- (3) \$3
- (4) \$45

- 13 Mr Tan travelled 2.8 km in a taxi from home to his office. His taxi fare was based on the charges shown below.

First km	\$3.60
Every additional 400 m or less	\$0.22

How much was his taxi fare?

- (1) \$4.04
- (2) \$4.48
- (3) \$4.70
- (4) \$5.14



- 14 After giving 3 boxes of pencils to Molly, Aaron had 45 pencils left. Aaron then bought another 74 pencils. In the end, Molly and Aaron had 242 pencils altogether. How many pencils were there in each box that Aaron gave to Molly?
- (1) 41  
(2) 56  
(3) 71  
(4) 123
- 15 There are 21 lamp posts along a straight path. The distance between the 3<sup>rd</sup> and the 10<sup>th</sup> lamp post is 11.2 m. What is the distance between the first and the last lamp post?
- (1) 22.4 m  
(2) 29.4 m  
(3) 32 m  
(4) 33.6 m

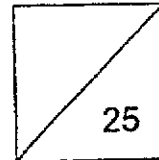


HENRY PARK PRIMARY SCHOOL  
2021 TERM REVIEW 1  
MATHEMATICS  
PRIMARY 6

PAPER 1  
(BOOKLET B)

Name: \_\_\_\_\_ ( )

Class: Primary 6 \_\_\_\_\_



Total Time for Booklets A and B: 1 hour

Do not turn over this page until you are told to do so.

Follow all instructions carefully.

Answer all questions.

Write your answers in this booklet.

You are **not** allowed to use a calculator.

Questions 16 to 20 carry 1 mark each. Write your answers in the spaces provided.  
For questions which require units, give your answers in the units stated.

(5 marks)

Do not write  
in this space

16 Find the value of  $84 \div 7 - 4 \times 2$

Ans: \_\_\_\_\_

17 Find the value of  $8 + \frac{2}{5}$

Ans: \_\_\_\_\_

18 Write down the smallest common multiple of 6 and 8.

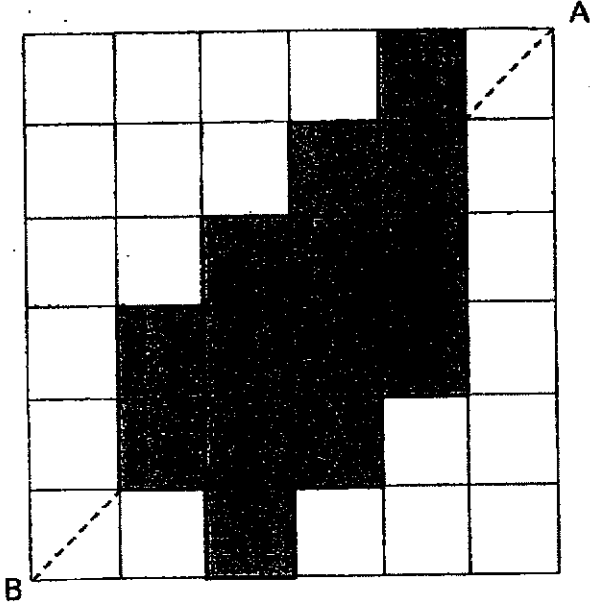
Ans: \_\_\_\_\_

19 Express  $2\frac{9}{12}$  as a decimal.

Ans: \_\_\_\_\_

20 In the figure, shade 4 more squares to form a symmetric figure with AB as the line of symmetry.

Do not write in this space



Questions 21 to 30 carry 2 marks each. Show your working clearly and write your answers in the spaces provided. For questions which require units, give your answers in the units stated.

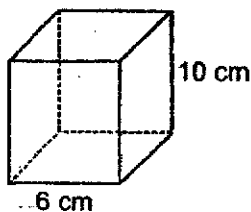
Do not write in this space

(20 marks)

21 Find the value of  $9 \div 7$ . Give your answer correct to 2 decimal places.

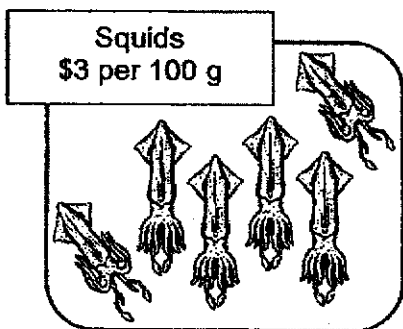
Ans: \_\_\_\_\_

22 The rectangular box below has a square base. Find its volume.



Ans: \_\_\_\_\_  $\text{cm}^3$

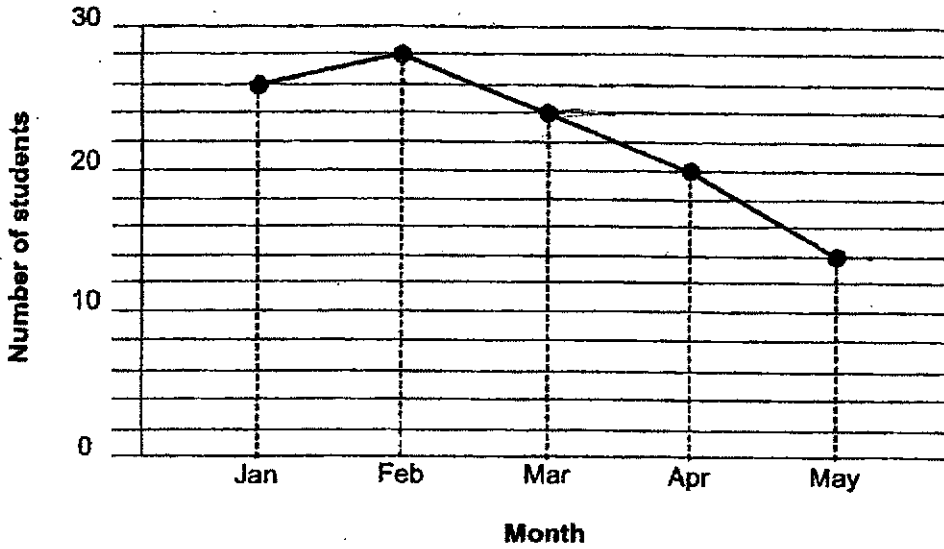
23 Ms Tan bought 1.2 kg of squids. How much did she pay?



Ans: \$ \_\_\_\_\_

- 24 The line graph shows the number of students who were late for school from January to May.

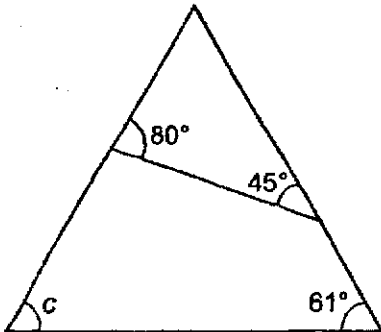
Do not write in this space



$\frac{5}{7}$  of all the students who were late were girls. How many boys were late?

Ans: \_\_\_\_\_

- 25 Find  $\angle c$  in the figure below.



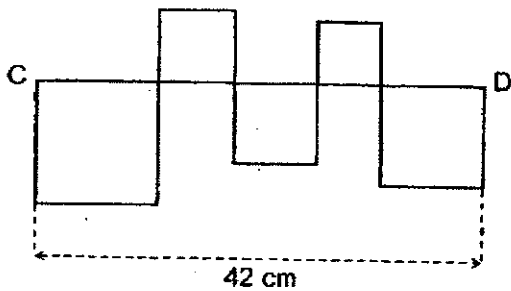
Ans: \_\_\_\_\_  $^{\circ}$

- 26 Ian spent  $\frac{1}{7}$  of his money on a pair of shoes and  $\frac{1}{4}$  of the remaining amount of money on some comic books. He had \$450 left. Find the cost of the pair of shoes.

Do not write  
in this space

Ans: \$ \_\_\_\_\_

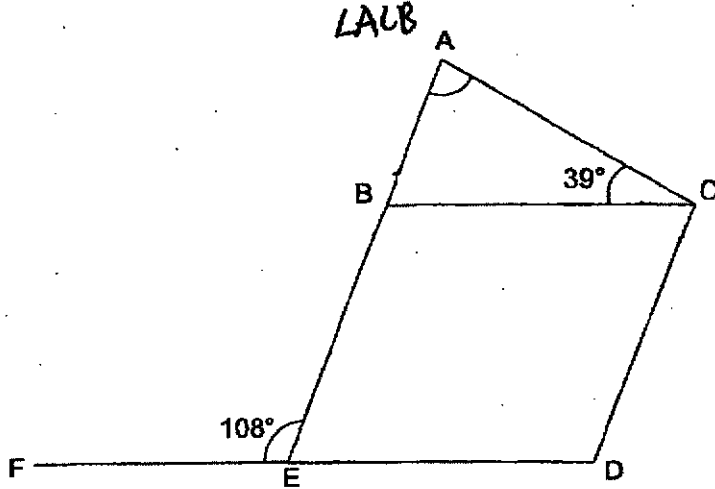
- 27 Jacob had 3 m of wire. He cut some of the wire and bent it to form 5 squares of different sizes as shown in the figure below. CD is a straight line measuring 42 cm. Find the remaining length of wire in metres.



Ans: \_\_\_\_\_ m

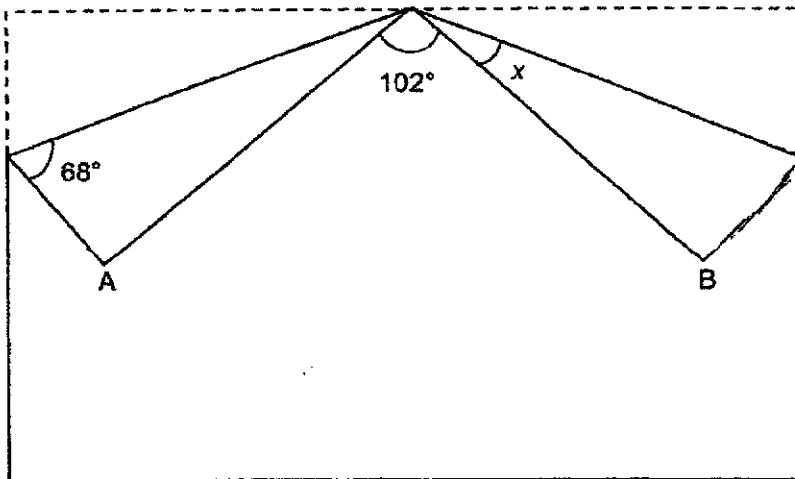
- 28 In figure below, BCDE is a parallelogram, ABE and FED are straight lines,  $\angle BEF = 108^\circ$  and  $\angle ABC = 39^\circ$ . Find  $\angle CAB$ .

Do not write in this space



Ans: \_\_\_\_\_ °

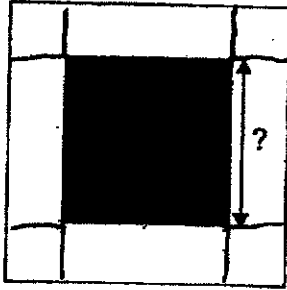
- 29 A rectangular piece of paper is folded at corners A and B as shown below. Find  $\angle x$ .



Ans: \_\_\_\_\_ °



- 30 The figure shows a black square tile glued onto a bigger white square tile. The area of the white square tile not covered by the black square tile is  $65 \text{ cm}^2$ . Given that the length of each square tile is a whole number, what could the smallest possible length of the black square tile be?



Do not write  
in this space

Ans: \_\_\_\_\_ cm



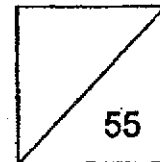


HENRY PARK PRIMARY SCHOOL  
2021 TERM REVIEW 1  
MATHEMATICS  
PRIMARY 6

PAPER 2

Name: \_\_\_\_\_ ( )

Class: Primary 6 \_\_\_\_\_



Time for Paper 2: 1 h 30 min

Do not turn over this page until you are told to do so.

Follow all instructions carefully.

Answer all questions.

Show your working clearly as marks are awarded for correct working.

Write your answers in this booklet.

You are allowed to use a calculator.

Questions 1 to 5 carry 2 marks each. Show your working clearly and write your answers in the spaces provided. For questions which require units, give your answers in the units stated.

(10 marks)

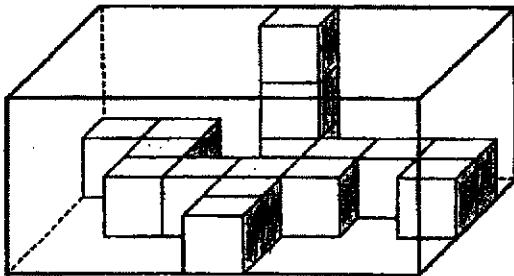
Do not write  
in this space

- 1 Ms Lim packed  $\frac{9}{11}$  kg of flour <sup>into</sup> packets. The mass of flour in each packet was  $\frac{1}{5}$  kg, except for the last packet.

- (a) How many packets contained  $\frac{1}{5}$  kg of flour each?  
 (b) What was the mass of flour in the last packet?

Ans: (a) \_\_\_\_\_  
 (b) \_\_\_\_\_ kg

- 2 The figure shows a rectangular box partly filled with 1-cm cubes. What is the capacity of the rectangular box?



Ans: \_\_\_\_\_ cm<sup>3</sup>

- 3 Adam and Jerry had some stickers in the ratio 3 : 11 at first. After Jerry gave Adam 16 stickers, they both had the same number of stickers. How many stickers did Adam have in the end?

Do not write  
in this space

Ans: \_\_\_\_\_

- 4 Peter must score an average of 85 points for 3 games in order to win a prize at a funfair. Peter scored 68 points and 79 points for the first 2 games. What is the least number of points he needs to score in the 3rd game to win a prize?

Ans: \_\_\_\_\_

5 Figure 1 is a parallelogram. Figure 2 is made up of 7 such parallelograms. The perimeter of Figure 2 is 180 cm. What is the length of the side AB of the parallelogram?

Do not write in this space

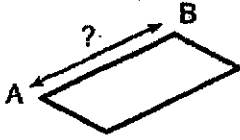


Figure 1

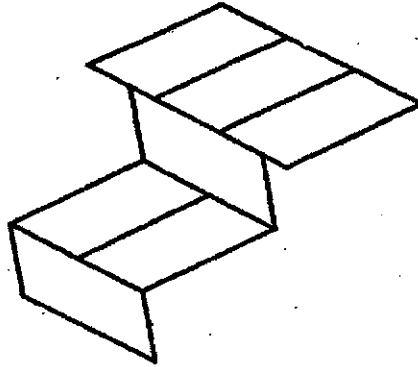


Figure 2

Ans: \_\_\_\_\_ cm

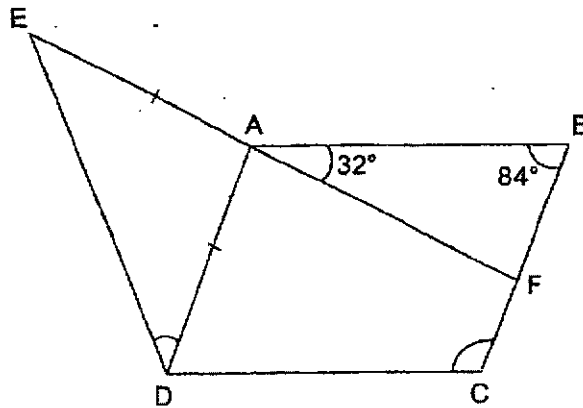


For questions 6 to 17, show your working clearly and write your answers in the spaces provided. The number of marks available is shown in the brackets [ ] at the end of each question or part-question.

(45 marks)

Do not write  
in this space

- 6 In the figure below, ABCD is a parallelogram, EAF is a straight line and ADE is an isosceles triangle.  $\angle BAF = 32^\circ$  and  $\angle ABF = 84^\circ$ .



- (a) Find  $\angle FCD$ .  
(b) Find  $\angle ADE$ .

Ans: (a) \_\_\_\_\_ [1]

(b) \_\_\_\_\_ [2]

- 7 Adam had three boxes of different masses as shown in the table below.

Box A	$(m + 13)$ kg
Box B	$2m$ kg
Box C	$(3m - 4)$ kg

Do not write  
in this space

- (a) Find the total mass of all three boxes in terms of  $m$ .

Given that the average mass of each box is 27 kg,

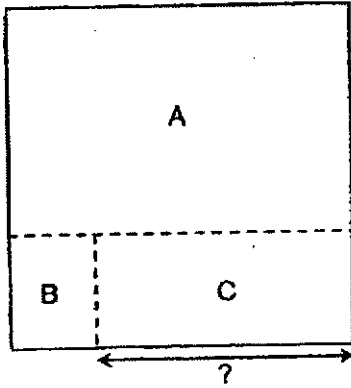
- (b) find the value of  $m$ .  
(c) find the mass of Box C.

Ans: (a) \_\_\_\_\_ [1]

(b) \_\_\_\_\_ [2]

(c) \_\_\_\_\_ [1]

- 8 Lisa cut a square piece of paper along the dotted lines to get three rectangles: A, B and C. The areas of rectangles A, B and C are in the ratio  $8 : 1 : 3$ . Given that the area of the square piece of paper was  $324 \text{ cm}^2$ , find the length of rectangle C.



Do not write  
in this space

Ans: \_\_\_\_\_ [4]

- 9 The fee for parking a car at a shopping mall is based on the charges shown at the table below.

First 1 hour	\$3.50
Every additional 30 min or less	\$2.00

- (a) Xin Yi parked her car at the shopping mall from 9.20 a.m. to 11 a.m. How much was her parking fee?
- (b) Willy paid \$17.50 for his parking fee at the shopping mall. He left at 7.15 p.m. What would be the earliest time he arrived at the mall?

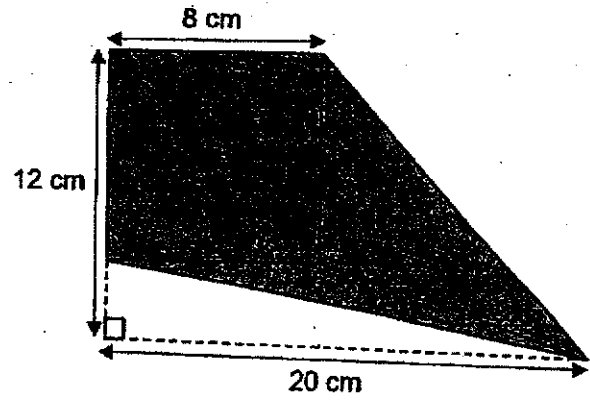
Ans: (a) \_\_\_\_\_ [1]

(b) \_\_\_\_\_ [2]



10 The figure below is made up of a square and two triangles. Find the area of the figure.

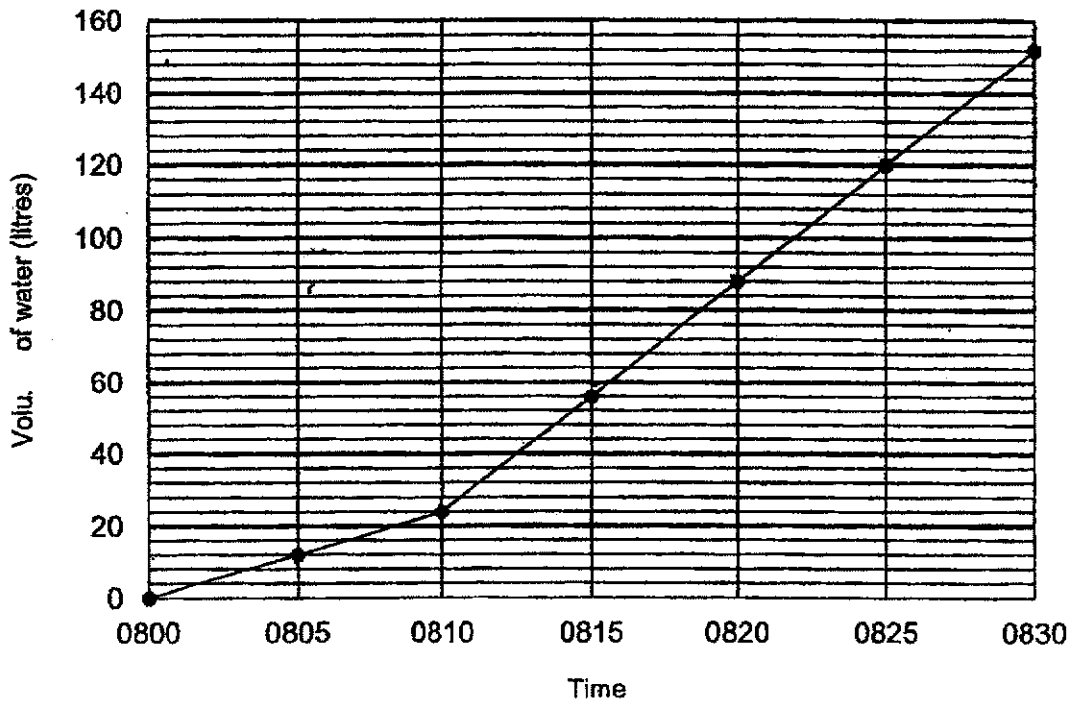
Do not write in this space



Ans: \_\_\_\_\_ [3]

- 11 James wanted to fill an empty rectangular tank with a capacity of 160 litres. He turned on Tap A to add water into the tank at 0800. At 0810, he also turned on Tap B to add more water into the tank. The line graph shows the volume of water in the tank from 0800 to 0830.

Do not write  
in this space



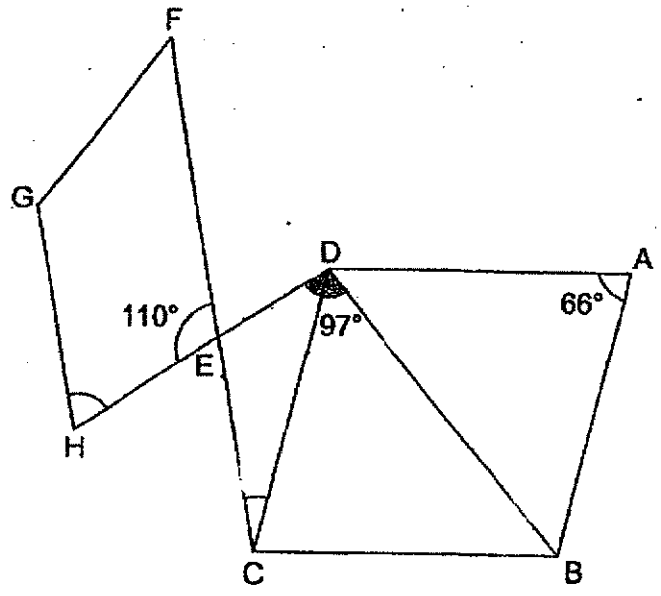
- (a) How many litres of water flowed into the tank in 1 min from Tap A?  
(b) How many litres of water flowed into the tank in 1 min from Tap B?

Ans: (a) \_\_\_\_\_ [1]

(b) \_\_\_\_\_ [2]

12 In the figure below, ABCD is a rhombus and EFGH is a trapezium.  
 GH // FE,  $\angle EDB = 97^\circ$ ,  $\angle FEH = 110^\circ$  and  $\angle BAD = 66^\circ$ .  
 HED and FEC are straight lines.

Do not write  
 in this space



- (a) Find  $\angle GHE$ .
- (b) Find  $\angle FCD$ .

Ans: (a) \_\_\_\_\_ [1]  
 (b) \_\_\_\_\_ [3]

- 13 At a concert, 55% of the tickets were sold at full price and 40% of the tickets at half price. The remaining 20 tickets were given away for free to a charity. The total amount of money collected was \$7200.

Do not write  
in this space

- (a) How many tickets were sold at full price?  
(b) What was the full price of each ticket?

Ans: (a) \_\_\_\_\_ [1]

(b) \_\_\_\_\_ [3]

- 14 After Mei spent  $\frac{4}{5}$  of her money and Ben spent  $\frac{3}{4}$  of his money, Mei had \$65 more than Ben. How much more money did Mei have than Ben at first?

Ans: \_\_\_\_\_ [3]

15 Shane had some counters in three boxes: A, B and C.  
 $\frac{3}{8}$  of the number of counters in box A was equal to  $\frac{2}{5}$  of the number of counters in box B. There were four times as many counters in box A as box C.

- (a) What was the ratio of the number of counters in box A to the number of counters in box B to the number of counters in box C?
- (b) After Shane used half of the counters in box A and half of the counters in box B, he had a total of 195 counters left in the three boxes. How many more counters were there in box B than box C in the end?

Do not write  
in this space

Ans: (a) \_\_\_\_\_ [1]

(b) \_\_\_\_\_ [3]

- 16 On Monday, Jimmy paid \$42.90 for 9 jars and some marbles at a shop. On Tuesday, he went to the same shop and paid \$64.70 for 11 jars and some marbles. Each jar cost \$1. He bought 66 more marbles on Tuesday than Monday. Jimmy packed all the marbles he bought into the 20 jars. Some jars contained 12 marbles while the rest contained 16. Given that the cost of each marble was the same,

- (a) how many marbles did Jimmy buy altogether?  
(b) how many jars contained 16 marbles?

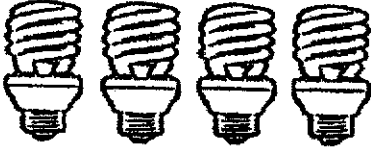
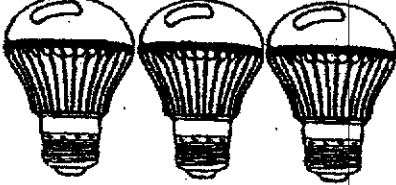
Do not write  
in this space

Ans: (a) \_\_\_\_\_ [3]

(b) \_\_\_\_\_ [2]

- 17 Mr Lim and Mr Wong bought some light bulbs at prices shown below.

Do not write  
in this space

<u>Small Bulbs</u>	<u>Large Bulbs</u>
	
4 for \$10	3 for \$16

- (a) Mr Lim bought an equal number of small and large bulbs. He spent \$102 more on the large bulbs than the small bulbs. How many bulbs did he buy altogether?
- (b) Mr Wong spent an equal amount of money on the small and large bulbs. What is the least number of large bulbs that he could have bought?

Ans: (a) \_\_\_\_\_ [3]

(b) \_\_\_\_\_ [2]

Setter: Ms Rajesheela





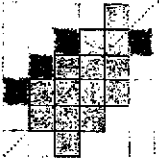
## ANSWER KEY

**YEAR : 2021**  
**LEVEL : PRIMARY 6**  
**SCHOOL : HENRY PARK**  
**SUBJECT : MATHEMATICS**  
**TERM : TERM REVIEW (CA1)**

### BOOKLET A (PAPER 1)

Q1	3	Q2	2	Q3	3	Q4	1	Q5	3
Q6	3	Q7	3	Q8	2	Q9	2	Q10	2
Q11	1	Q12	2	Q13	3	Q14	1	Q15	3

### BOOKLET B (PAPER 1)

Q16	$12 - 4 \times 2 = 12 - 8 = 4$	Q17	$\frac{8}{1} \times \frac{5}{2} = 20$
Q18	24	Q19	$\frac{33}{12} = \frac{11}{4} = \frac{275}{100} = 2.75$
Q20		Q21	$1.285 = 1.29$
Q22	$6 \times 6 \times 10 = 360\text{cm}^3$	Q23	$1.2\text{kg} = 1200\text{g}$ $\$3 \rightarrow 100\text{g}$ $\$36 \rightarrow 1200\text{g}$ $= \$36$
Q24	$26 + 28 + 24 + 20 + 14 = 112$ $7v = 112$ $1v = 112 \div 7 = 16$ $2v = 2 \times 16 = 32$	Q25	$180^\circ - 80^\circ = 100^\circ$ $180^\circ - 45^\circ = 135^\circ$ $100^\circ + 135^\circ = 235^\circ$ $235^\circ + 61^\circ = 296^\circ$ $360^\circ - 296^\circ = 64^\circ$
Q26	$9u = 450$ $1u = 450 \div 9 = 50$ $2u = 2 \times 50 = \$100$	Q27	$4 \times 42 = 168\text{cm}$ $300 - 168 = 132$ $= 1.32\text{m}$
Q28	$180^\circ - 72^\circ - 39^\circ = 69^\circ$	Q29	$180^\circ - 68^\circ - 90^\circ = 22^\circ$ $\angle X = (180^\circ - 102^\circ - 22^\circ) \div 2 = 17^\circ$
Q30	$9 \times 9 = 81$ $81 - 65 = 16$ $4 \times 4 = 16$		

ANS : 4

PAPER 2

Q1	a) $\frac{9}{11} \div \frac{1}{5} = 4.0909 \approx 4$ b) $\frac{1}{5} \times \frac{4}{1} = \frac{4}{5}$ $\frac{9}{11} = \frac{4}{5}$ $\frac{45}{55} - \frac{44}{55} = \frac{1}{55} \text{kg}$	Q2	$7 \times 5 \times 3 = 105 \text{cm}^3$
Q3	$3v + 16 = 11v - 16$ $8v = 32$ $1v = 32 \div 8 = 4$ $3v = 3 \times 4 = 12$ $12 + 16 = 28$	Q4	$85 \times 3 = 255$ $68 + 79 = 147$ $255 - 147 = 108$
Q5	$180 \div 18 = 10$ $10 \times 2 = 20 \text{cm}$	Q6	a) $\angle FCD = 180^\circ - 84^\circ = 96^\circ$ b) $\angle FAD = 96^\circ - 32^\circ = 64^\circ$ $\angle EAD = 180^\circ - 64^\circ = 116^\circ$ $\angle ADE = (180^\circ - 116^\circ) \div 2 = 32^\circ$
Q7	a) $(m+13)+2m+(3m-4)$ $=m+13+2m+3m-4$ $=6m+9$ b) $(6m+9) \div 3 = 2m+3$ $2m+3 = 27 \text{kg}$ $2m = 27 - 3 = 24$ $1m = 24 \div 2 = 12$ c) $3m = 3 \times 12 = 36$ $36 - 4 = 32 \text{kg}$	Q8	$18 \times 18 = 324$ $18 \div 4 = 4.5$ $4.5 \times 3 = 13.5 \text{cm}$
Q9	a) $\$3.50 + \$2 + \$2 = \$7.50$ b) $\$17.50 - \$3.50 = \$14$ $\$14 \div 2 = 7$ $7 \times \frac{1}{2} = 3\frac{1}{2}$ $3\frac{1}{2} + 1 = 4\frac{1}{2}$ ANS : 2.45pm	Q10	Area of whole figure = $20 \times 12 = 240$ Area of X = $\frac{1}{2} \times 12 \times 12 = 72 \text{cm}^2$ Area of Y = $\frac{1}{2} \times 20 \times 4 = 40 \text{cm}^2$ Area of shaded figure = $240 - 72 - 40 = 128 \text{cm}^2$
Q11	a) $12 \div 5 = 2.4 \text{L}$ b) $56 - 24 = 32$ $32 - 12 = 20$ $20 \div 5 = 4 \text{L}$	Q12	a) $\angle GHE = 180^\circ - 110^\circ = 70^\circ$ b) $\angle CDB = (180^\circ - 66^\circ) \div 2 = 57^\circ$ $\angle EDL = 97^\circ - 57^\circ = 40^\circ$ $\angle FCD = 180^\circ - 110^\circ - 40^\circ = 30^\circ$
Q13	a) 5% of the tickets = 20 55% of the tickets = $20 \times 11 = 220$ b) 40% of the tickets	Q14	$65 \times 5 = 325$ $820 - 325 = 495$ $495 \div 9 = 55$ $55 + 325 = \$380$

	$=20 \times 8 = 160$ (half price) $160 \div 2 = 80$ (full price) $220 + 80 = 300$ $7200 \div 300 = \$24$				
Q15	<p>a) Box A = <math>16u</math>  Box B = <math>15u</math>  Box C = <math>16u \div 4 = 4u</math>  A : B : C  <math>16 : 15 : 4</math></p> <p>b) <math>8u + 7.5u + 2u = 195</math>  <math>17.5u = 195</math>  <math>1u = 10</math>  <math>7.5u - 4u = 3.5u</math>  <math>3.5u = 3.5 \times 10 = 35</math></p>	Q16	<p>a) On Monday, cost of marble <math>\\$42.90 - \\$9 = \\$33.90</math>  On Tuesday, cost of marbles  <math>\\$64.70 - \\$11 = \\$53.70</math>  <math>\\$53.70 - 33.90 = \\$19.80</math>  <math>\\$19.80 \div 66 = \\$0.30</math>  <math>\\$33.90 + \\$53.70 = \\$87.60</math>  <math>\\$87.60 \div \\$0.30 = 292</math></p> <p>b) Assume all jars contained 12 marbles  <math>20 \times 12 = 240</math>  <math>292 - 240 = 52</math>  <math>16 - 12 = 4</math>  <math>52 \div 4 = 13</math></p>		
Q17	<p><u>Small bulbs</u>  4 for \$10  12 for \$30  <u>Large bulbs</u>  3 for \$16  12 for \$64  <math>\\$64 - \\$30 = \\$34</math>  <u>Small bulbs</u>  4 for \$10  32 for \$80  <u>Large bulbs</u>  3 for \$16  15 for \$80  <math>\\$102 \div \\$34 = 3</math>  <math>12 + 12 = 24</math>  <math>24 \times 3 = 72</math></p> <p>a) 72  b) 15</p>				

3  
2-11-17

