

Anglo-Chinese School  
(Junior)



SEMESTERAL ASSESSMENT 2 (2012)  
PRIMARY 5

MATHEMATICS

PAPER 1  
Booklet A

Friday

24 October 2012

50 min

INSTRUCTIONS TO PUPILS

DO NOT TURN OVER THE PAGES UNTIL YOU ARE TOLD TO DO SO.

Follow all instructions carefully.

There are 15 questions in this booklet.

Answer ALL questions.

You are not allowed to use a calculator.

Name: \_\_\_\_\_ ( )

Class: 5. ( )

Parent's Signature : \_\_\_\_\_

This question paper consists of 6 printed pages. (Inclusive of cover page)



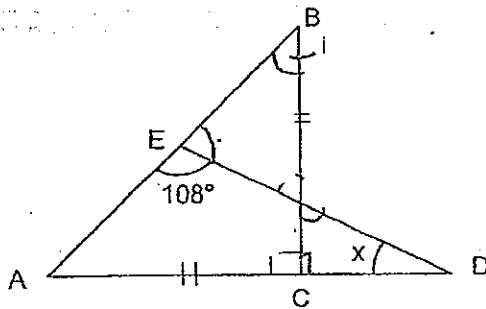
Questions 1 to 10 carry 1 mark each. Questions 11 to 15 carry 2 marks each. For each question, four options are given. One of them is the correct answer. Make your choice (1, 2, 3 or 4) and shade the oval (1, 2, 3 or 4) on the Optical Answer Sheet.

1 How many hundreds are there in 849 700?

- (1) 700
- (2) 4 970
- (3) 8 497
- (4) 9 700

( )

2 In the figure below, not drawn to scale, ABC is an isosceles triangle. If  $\angle AED = 108^\circ$ , find  $\angle x$ .



- (1)  $18^\circ$
- (2)  $27^\circ$
- (3)  $45^\circ$
- (4)  $63^\circ$

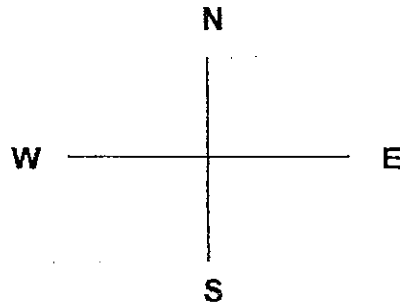
( )

3. What is the value of  $(108 \div 9) + 7 \times 6 - 3$ .

- (1) 33
- (2) 51
- (3) 57
- (4) 111

( )

4. If you are facing Northwest and want to travel East, how many degrees clockwise must you turn ?



- (1)  $45^\circ$   
(2)  $90^\circ$   
(3)  $135^\circ$   
(4)  $180^\circ$

( )

5. How many sixths are there in  $3\frac{5}{6}$  ?

- (1) 15  
(2) 18  
(3) 23  
(4) 90

( )

6. Express  $0.805 \ell$  in cubic centimetres.

- (1)  $0.805 \text{ cm}^3$   
(2)  $8.05 \text{ cm}^3$   
(3)  $80.5 \text{ cm}^3$   
(4)  $805 \text{ cm}^3$

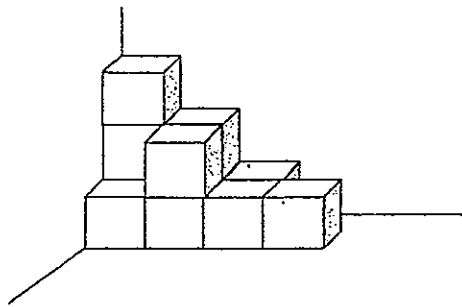
( )

7. Express  $7\frac{19}{25}$  as a decimal.

- (1) 0.776  
(2) 7.076  
(3) 7.76  
(4) 7.95

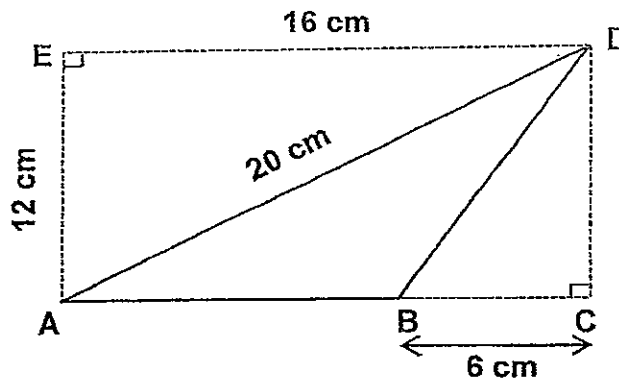
( )

8. How many unit cubes are used to build the solid in the diagram below?



- (1) 9
- (2) 10
- (3) 11
- (4) 12

9. In the figure below, not drawn to scale,  $ABCD$  is a triangle. Find the area of the triangle  $ABD$ .



- (1)  $36 \text{ cm}^2$
- (2)  $60 \text{ cm}^2$
- (3)  $96 \text{ cm}^2$
- (4)  $120 \text{ cm}^2$

10. A tank contained  $20.4\ell$  of orange juice. The juice was poured into 250ml bottles. Find the maximum number of completely filled bottles of orange juice when all the orange juice was poured out of the tank.

- (1) 8
- (2) 9
- (3) 81
- (4) 82

( )

11. Ethan had a total of \$420, consisting of \$5 and \$10 notes. Given that he had four times as many \$5 notes as \$10 notes, how many \$5 notes did he have?

- (1) 14
- (2) 21
- (3) 42
- (4) 56

( )

12. A packet contained  $2\frac{1}{15}\ell$  of mineral water. Marcus drank  $\frac{1}{5}\ell$  of the mineral water every day. How much mineral water was left after a week?

(1)  $\frac{4}{15}\ell$

(2)  $\frac{2}{3}\ell$

(3)  $1\frac{13}{15}\ell$

(4)  $1\frac{3}{5}\ell$

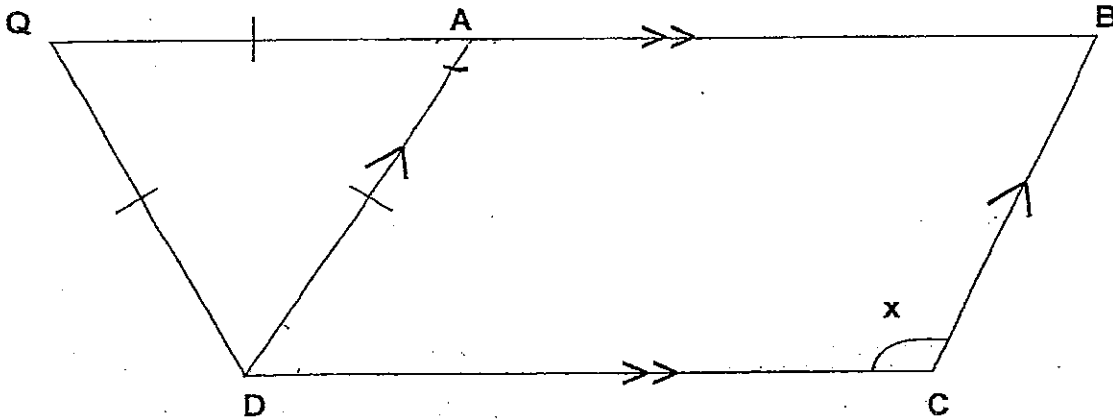
( )

13. There were 250 pupils in a hall and 40% of them were girls. Then 50 girls entered the hall. What was the new percentage of girls in the hall in the end?

- (1) 33%
- (2) 40%
- (3) 50%
- (4) 60%

( )

14. In the figure below, not drawn to scale, ABCD is a parallelogram. Given AQD is an equilateral triangle, find  $\angle x$ .



- (1)  $45^\circ$   
 (2)  $60^\circ$   
 (3)  $120^\circ$   
 (4)  $135^\circ$

( )

15. Nathan had four of Coin A and two of Coin B in his pocket. He took out two coins from his pocket and put them into a donation tin. Which of the following amount could **not** be his total donation?



Coin A



Coin B

- (1) \$ 0.40  
 (2) \$ 0.70  
 (3) \$ 0.80  
 (4) \$ 1.00

( )

End of Paper-  
 Please check your work carefully ☺

Anglo-Chinese School  
(Junior)



SEMESTERAL ASSESSMENT 2 (2012)  
PRIMARY 5

MATHEMATICS

PAPER 1  
Booklet B

Friday

24 October 2012

50 min

INSTRUCTIONS TO PUPILS

DO NOT TURN OVER THE PAGES UNTIL YOU ARE TOLD TO DO SO.

Follow all instructions carefully.

There are 15 questions in this booklet.

Answer ALL questions.

You are not allowed to use a calculator.

Name: \_\_\_\_\_ ( )

Class: 5. ( )

Parent's Signature : \_\_\_\_\_

Booklet	Possible Marks	Marks Obtained
A	20	
B	20	
TOTAL	40	

This question paper consists of 8 printed pages. (Inclusive of cover page)



Questions 16 to 25 carry 1 mark each. Write your answers in the spaces provided. For questions which requires units, give your answers in the units stated. (10 marks)

---

16 Round off the product of 7856 and 8 to the nearest thousand.

17. The difference between 7 tenths and 36 thousandths is \_\_\_\_\_.

18. The volume of a cuboid is  $2\,700\text{m}^3$ . The area of the square base is  $225\text{m}^2$ . What is its height?

 m

19. The usual price of a football is \$50. There is an additional discount of 10% for members on top of the storewide 20% discount during the Great Singapore Sales. How much do the members have to pay for the football?

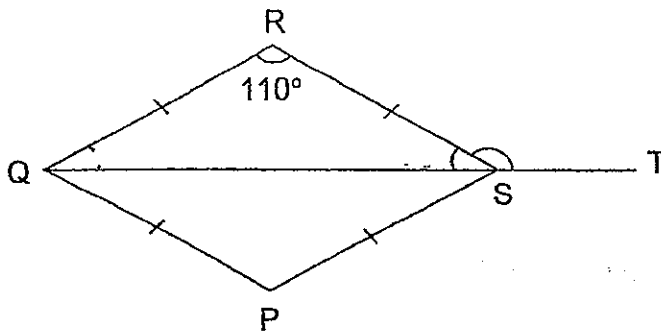
\$

20. A group of 300 children were asked about their mode of transport to school.  $\frac{2}{3}$  of the children go to school each day by car and the rest go to school by school bus.

How many children go to school by bus?

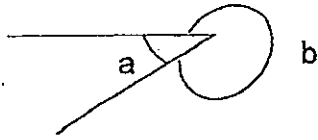
21. Given the number of fiction books is  $\frac{2}{3}$  the number of non-fiction book, what is the ratio of non-fiction books to the total number of books?

22. The figure below is not drawn to scale. PQRS is a rhombus. Given QT is a straight line and  $\angle QRS = 110^\circ$ , find  $\angle RST$ .



5)

23. The ratio of a:b is 1:5. Find the value of  $\angle a$ .



24. A packet of potatoes weighs  $\frac{3}{4}$  kg. A packet of tomatoes weighs twice as heavy as the packet of potatoes. Find the total weight of the potatoes and the tomatoes.

Express your answer as a mixed number.

 kg

25. Ethan cycled 30 km in 1 hour. How far did he cycle in 1 minute? (Express your answer in metres)

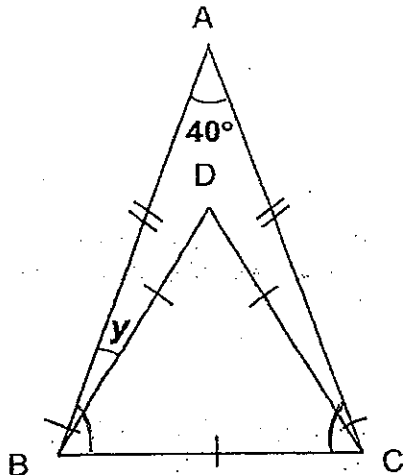
 m

Questions 26 to 30 carry 2 marks each. Show your workings clearly in the space below each question and write your answers in the spaces provided. For questions which requires units, give your answers in the units stated. (10 marks)

26. Kevin spent  $\frac{1}{4}$  of his salary on clothes. He gave \$350 to his parents. He was then left with half of his salary. What was his salary?

\$

27. The figure below is not drawn to scale. Given that ABC is an isosceles triangle and DBC is an equilateral triangle, what is the value of  $\angle y$ ?



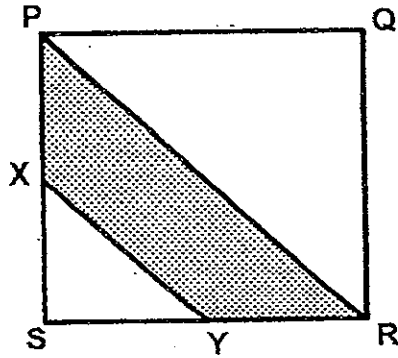
53

- 28 The ratio of Elliot's savings to Jerry's savings is 6 : 7. If Elliot saves \$18 more and Jerry spends \$9, they will have the same amount of money. How much is Elliot's savings?

\$

29. There were 9 times as many cupcakes in Box C as in Box D. After 588 cupcakes were transferred from Box C to Box D, both boxes had the same number of cupcakes. Find the number of cupcakes in Box C at first.

30. In the figure below, not drawn to scale, PQRS is a square of side 24 cm. X is the mid-point of PS and Y is the mid-point of RS. Find the area of the shaded region.



cm <sup>2</sup>
-----------------

-End of Paper-  
Please check your work carefully ☺

--

# Anglo-Chinese School (Junior)



SEMESTERAL ASSESSMENT 2 (2012)  
PRIMARY 5

MATHEMATICS

PAPER 2

Friday

24 October 2012

1 h 40 min

## INSTRUCTIONS TO PUPILS

DO NOT TURN OVER THE PAGES UNTIL YOU ARE TOLD TO DO SO.

Follow all instructions carefully.

There are 18 questions in this booklet.

Answer ALL questions.

You are allowed to use a calculator.

Name: \_\_\_\_\_ ( )

Class: 5. ( )

Paper	Possible Marks	Marks Obtained
1	40	
2	60	
TOTAL	100	

Parent's Signature : \_\_\_\_\_

This question paper consists of 14 printed pages. (Inclusive of cover page)



Questions 1 to 5 carry 2 marks each. Show your working clearly in the space provided for each question and write your answers in the spaces provided. For questions which require units, give your answers in the units stated. (10 marks)

---

1. The ratio of Kevin's cards to John's cards is 5 : 7. If Kevin gives 20 cards to Alex's, the ratio becomes 1 : 2. Find the number of cards they have altogether.  
John's

Ans: \_\_\_\_\_ [2]

2. Mr Tan spent  $\frac{3}{7}$  of his money on a keyboard and  $\frac{1}{4}$  of the remaining money on a game disc. If he had \$60 left, how much money did he have at first?

Ans: \_\_\_\_\_ [2]

57

--

3. Bob was given a puzzle to solve with the following number cards and operation sign. He had to form a number sentence with the answer 320. Use the numbers and symbols to complete the number sentence.

60
15
20
3
÷
x
+

Answer:

=
320

4. Owen has 7250 cm of string. He cuts it into 100 equal pieces, what would be the length of each piece of string? (Express your answer in metres)

Ans: \_\_\_\_\_ m [2]

5. The average mass of 8 passengers in a mini-van was 72kg. After 3 passengers alighted from the mini-van, the average mass became 66kg. What was the average mass of the 3 passengers who alighted from the minivan?

Ans: \_\_\_\_\_ kg [2]

For questions 6 to 18, show your working clearly in the space provided for each question and write your answers in the spaces provided. All diagrams are not drawn to scale unless otherwise stated.

The number of marks available is shown in the brackets [ ] at the end of each question or part-question. (50 marks)

---

6. The ratio of the number of apples to the number of mangoes in a basket was 2 : 1. When 18 mangoes were added to the basket, the ratio of the number of apples to the number of mangoes became 8 : 7. How many mangoes were there in the basket in the end?

Ans: \_\_\_\_\_ [3]

59

--

7. Abe, Ben and Chris share some money.  $\frac{1}{4}$  of Abe's share is equal to  $\frac{1}{2}$  of Ben's share. Ben gets  $\frac{1}{3}$  of what Chris gets. If Ben gets \$50, calculate their total sum of money.

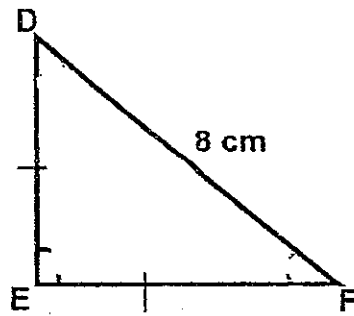
Ans: \_\_\_\_\_ [3]

8. Aidil has 233 yo-yos in his collection. He has 87 fewer yo-yos than Chandra. Stephen has  $\frac{5}{8}$  as many yo-yos as Chandra. Find the average number of yo-yos the three children have?

Ans: \_\_\_\_\_ [3]

--

9. The figure below, not drawn to scale, shows a right-angled isosceles triangle DEF. The length of DF is 8 cm. Find the area of the triangle.



Ans: \_\_\_\_\_ [3]

10. Mr Tan sold muffins at \$3 each. During a promotional event, for every 3 muffins purchased, he gave 1 muffin free to the customer. What was the least possible amount he could earn during the promotional event if he sold and gave away a total of 314 muffins?

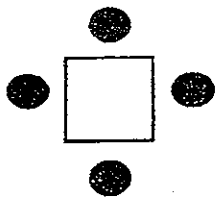
Ans: \_\_\_\_\_ [3] 61

11. In a stadium, there are 700 seats and  $\frac{1}{4}$  of them are first class seats. How many first class seats must be added so that the number first class seats will be increased to  $\frac{3}{10}$  ?

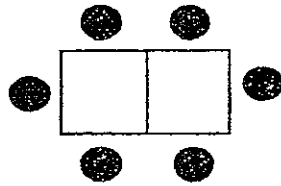
Ans: \_\_\_\_\_ [4]

--

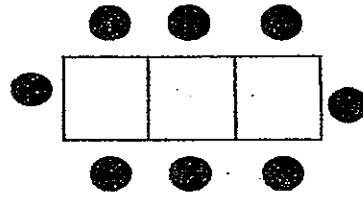
12. A Community Club was planning to arrange chairs and square tables for a mass dinner in a long hall. They drew and numbered some arrangements and wrote down some notes as shown:



Arrangement 1





Arrangement 2



Arrangement 3

Notes:

Arrangement number	Number of tables 	Number of chairs 
1	1	4
2	2	6
3	3	8

If the arrangement was continued in the same pattern,

- how many chairs were needed if 5 tables were joined together?
- how many chairs were needed if 20 tables were joined together?
- which arrangement would require 100 chairs?

Ans: (a) \_\_\_\_\_ [1]

Ans: (b) \_\_\_\_\_ [1]

Ans: (c) \_\_\_\_\_ [2]

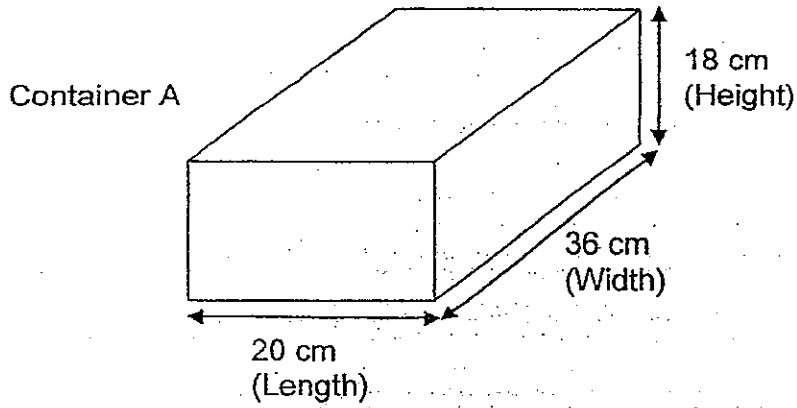
63

13. Aaron wanted to buy some files and exercise books. A file costs 5 times as much as an exercise book. Instead of spending all his money on 2 files and 8 exercise books, Aaron bought 3 files and 1 exercise book and had \$ 1.20 left. How much had he at first?

Ans: \_\_\_\_\_ [4]



14. Container A is filled to the brim with water. The water is then poured into Container B. The length of Container B is 3 times that of Container A. The width of Container B is  $1\frac{1}{2}$  times that of Container A. The height of Container B is  $\frac{1}{3}$  that of Container A. How much more water is needed to fill Container B to the brim?



Ans: \_\_\_\_\_ [4]

65

15. Alex did not have any stickers at first and William sold 40% of his stickers. After Alex bought 60% of the stickers that William sold, he still had 144 stickers less than William. How many stickers had William left?

Ans: \_\_\_\_\_ [4]

--

16. Three boys, Alex, Ben and Calvin have some marbles. The number of marbles Alex has is  $\frac{1}{4}$  the total number of marbles Ben and Calvin have. The number of marbles Ben has is  $\frac{1}{5}$  the total number of marbles Alex and Calvin have. If Calvin has 152 marbles, how many marbles do the three boys have altogether?

Ans: \_\_\_\_\_ [5]

67

17. Three friends Randy, Seth and Ted had 288 stamps in all. Randy gave some of his stamps to Seth and Seth's stamps were doubled. Then, Seth gave some of his stamps to Ted and Ted's stamps were doubled. In the end, the 3 boys had an equal number of stamps each. How many stamps did Randy have at first?

Ans: \_\_\_\_\_ [5]

18.. 60% of the balls in a box were blue balls, 30% of the rest were orange balls and the rest were pink balls. When some of the balls were thrown away, 50% of the blue balls were left. How many pink balls were there at first if 90 blue balls were left?

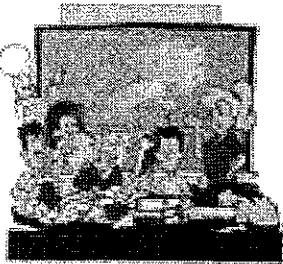
Ans: \_\_\_\_\_ [5]

**-End of Paper-**  
**Please check your work carefully ☺**

69

--





# ExamSutra 考试圣经

## Answer Sheets

SCHOOL : ACS Primary School  
SUBJECT : Primary 5 - Maths  
TERM : SA 2

Order : . . .

---

Paper 1

Q1	Q2	Q3	Q4	Q5	Q6	Q7	Q8	Q9	Q10	Q11	Q12	Q13	Q14	Q15
3	2	2	3	3	4	3	3	2	3	4	2	3	3	3

- 16 63000
- 17 0.664
- 18 12
- 19 36
- 20 100
- 21 3:5
- 22 145
- 23 60
- 24  $2 \frac{1}{4}$
- 25 500
- 26  $1u > 350$   
 $4u > 350 \times 4 = \$1400$
- 27  $180 - 40 = 140$   
 $140 \div 2 = 70$   
 $70 - (180 \div 3) = 10$
- 28  $1u > \$9$   
 $18u > \$162$
- 29  $4u > 588$   
 $1u > 147$   
 $9u > 1323$
- 30 Area XSY  $> \frac{1}{2} \times 12 \times 12 = 72$   
Area PQR  $> \frac{1}{2} \times 24 \times 24 = 288$   
Area of square  $= 24 \times 24 = 576$   
Shaded region  $= 576 - 288 - 72 = 216$

# EXAM PAPER 2012

SCHOOL : ACS Primary School  
SUBJECT : Primary 5 - Maths  
TERM : SA 2

Order : ...

Paper 2

- 1  $1u > 20$   
 $12u > 240$
- 2  $1u > 60 \div 3 = 20$   
 $7u > 20 \times 7 = 140$
- 3  $60 \div 3 \times 15 + 20$
- 4 0.725m
- 5  $72 \times 3 = 576$   
 $66 \times 5 = 330$   
 $576 - 330 = 246$   
 $246 \div 3 = 82\text{kg}$
- 6 A : M  
2 : 1  
= 8 : 4  
= 8 : 7  
 $3u > 18$   
 $1u > 6$   
 $7u > 6 \times 7 = 42$
- 7  $2u > \$50$   
 $1u > 25$   
 $12u > 25 \times 12 = \$300$
- 8  $8u > 233 + 87 = 320$   
 $1u > 320 \div 8 = 40$   
 $13u > 40 \times 13 = \$520$   
total  $> 520 + 233 = 753$   
Average  $> 753 \div 3 = 251$ .
- 9  $8^2 = 64$   
 $64 \div 2 = 32$   
DE = EF =  $\sqrt{32}$   
area =  $1/2 \times \sqrt{32} \times \sqrt{32} = 16\text{cm}^2$
- 10  $3 + 1 = 4$   
 $314 \div 4 = 78.5$   
 $78 \times 4 = 312$   
 $314 - 312 = 2$   
 $78 \times 3 = 234$   
 $234 \times \$3 + 2 \times \$3 = \$708$
- 11  $700 \times 1/4 = 175$   
 $700 - 175 = 525$   
ratio of First class to non first class =  
3:7  
= 225 : 525  
 $225 - 175 = 50$



# EXAM PAPER 2012

SCHOOL : ACS Primary School  
SUBJECT : Primary 5 - Maths  
TERM : SA 2

Order :

---

- 12a 12  
12b 41  
12c 49  
13  $2u > \$1.20$   
 $1u > \$0.60$   
 $18u > \$0.60 \times 18 = \$10.80$
- 14 Volume of water in container A  $> 20 \times 36 \times 18 = 12960$   
Length of container B  $> 20 \times 3 = 60\text{cm}$  —  
Width of container B  $> 1 \frac{1}{2} \times 36 = 54$   
Height of Container B  $> \frac{1}{3} \times 18 = 6$   
Volume of container b  $> 60 \times 54 \times 6 = 19440$   
 $19440 - 12960 = 6480$
- 15  $\frac{60}{100} \times \frac{40}{100} = \frac{6}{25}$   
 $60\% - 24\% = 36\%$   
 $36\% > 144$   
 $60\% > 240$
- 16  $152 + 4 = 38$   
 $152 + 38 = 190$   
 $\frac{1}{5} \times \frac{1}{4} = \frac{1}{20}$   
 $190 + 5 = 38$   
 $38 + 19 = 2$   
 $2 \times 20 = 40$   
Ben has 40 marbles  
Alex has 48 marbles  
Total marbles  $= 40 + 48 + 152 = 240$
- 17 Randy : 7 units  
Seth: 3 units  
Ted: 2 units  
total units = 12  
 $268 \div 12 = 24$   
 $12u > 24$   
 $24 \times 7 = 168$
- 18 Blue  $> 60\%$   
Orange  $> \frac{30}{100} \times (100 - 60) = 12\%$   
Pink  $> 100 - 60 - 12 = 18\%$   
50% of blue left  $= \frac{50}{100} \times 60\% = 30\%$   
 $30\% = 90$   
 $\frac{12}{30} \times 90 = 36$

1870-1871

1872-1873