



PRIMARY 4 END-OF-YEAR EXAMINATION 2017

Name : _____ () Date: 26 October 2017

Class : Primary 4 ()

Time: 8.00 a.m. - 9.00 a.m.

Parent's Signature : _____

Marks: _____ / 100

MATHEMATICS

PAPER 1

(Booklet A and Booklet B)

Time for Paper 1 is 1 hour.

Do not open this booklet until you are told to do so.

Read and follow all instructions carefully.

Answer all questions.

Booklet A	20
Booklet B	40
Total for Paper 1	60

Questions 1 to 10 carry 2 marks each.


For each question, four options are given. One of them is the correct answer.
Shade the correct oval (1, 2, 3 or 4) on the Optical Answer Sheet.

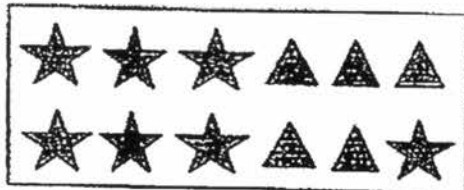
1. The value of the digit 4 in 34615 is _____.

- (1) 40
- (2) 400
- (3) 4000
- (4) 40 000

2. 48 is **not** a multiple of _____.

- (1) 6
- (2) 8
- (3) 12
- (4) 14

3. What fraction of the shapes in the box are ?



- (1) $\frac{5}{12}$
- (2) $\frac{5}{7}$
- (3) $\frac{7}{12}$
- (4) $\frac{7}{5}$

4. The digit 6 in 9.263 stands for 6 _____.

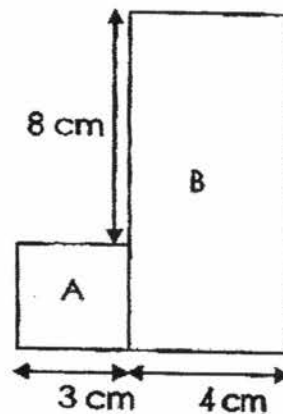
- (1) ones
- (2) tens
- (3) tenths
- (4) hundredths

5. Which of the following is **not** an equivalent fraction of $\frac{1}{4}$?

- (1) $\frac{2}{8}$
- (2) $\frac{3}{12}$
- (3) $\frac{5}{16}$
- (4) $\frac{6}{24}$

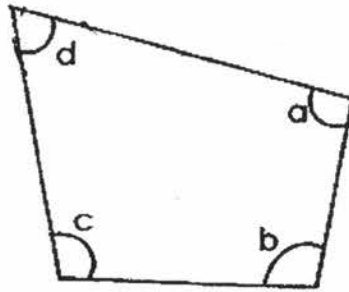
6. The figure shown is made up of a square A of side 3 cm and a rectangle B with breadth 4 cm. What is the length of the rectangle?

- (1) 7 cm
- (2) 8 cm
- (3) 11 cm
- (4) 12 cm



7. In the figure, which of the marked angles is smaller than a right angle?

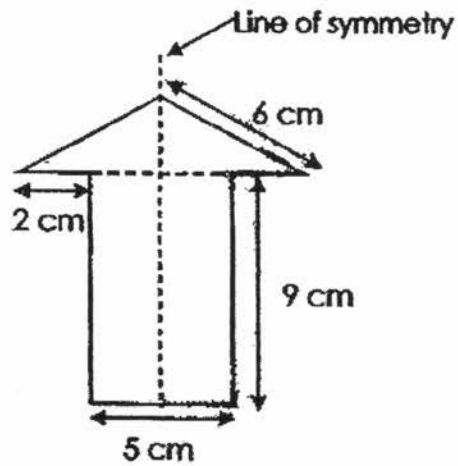
- (1) $\angle a$
- (2) $\angle b$
- (3) $\angle c$
- (4) $\angle d$



8. The figure is made of a triangle and a rectangle.

The perimeter of the whole figure is _____ cm.

- (1) 22
- (2) 37
- (3) 39
- (4) 44



9. Muthu has eighteen 50-cent coins and 20-cent coins. He has a total of \$6.90. How many 20-cent coins does Muthu have ?

- (1) 5
- (2) 7
- (3) 9
- (4) 11

10. Mrs Seng bought a 2-kg bag of sugar. She used 50g of the sugar each day . How many days did the bag of sugar last ?

- (1) 25
- (2) 40
- (3) 52
- (4) 100

Tao Nan School
Primary 4 Mathematics End-of-Year Examination 2017

Paper 1 (Booklet B)

Each question carries 2 marks. Write your answers in the boxes provided.
For questions which require units, give your answers in the units stated.

11. Write the missing number in the number pattern below.

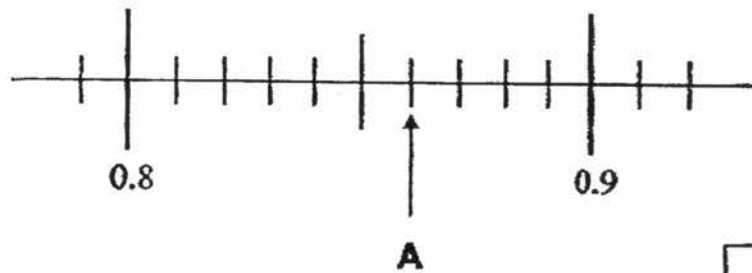
15 000 , 14 200 , 13 400 , 12 600 , _____ , 11 000

12. Two factors of 14 are 1 and 14. What are the other two factors of 14?

13. Write $5\frac{2}{5}$ as an improper fraction.

14. Find the value of $3 - \frac{3}{4} - \frac{1}{8}$

15. Write the decimal represented by A.



16. Express $\frac{67}{100}$ as a decimal.

17. Arrange the following numbers in order from the greatest to the smallest.

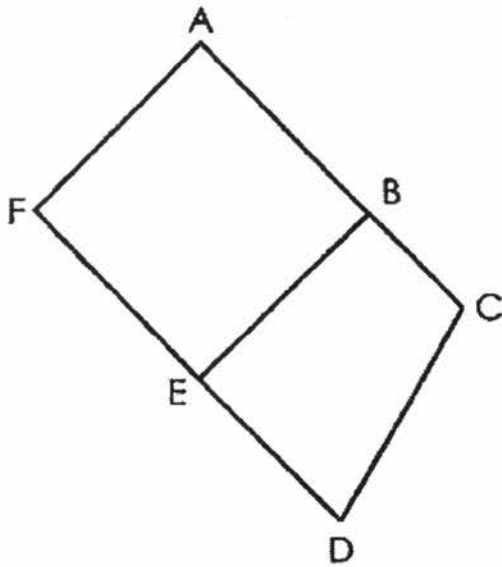
0.069 , 0.906 , 0.609 , 0.960

(greatest)

(smallest)

18. Round 209.55 to the nearest whole number.

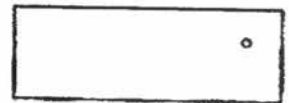
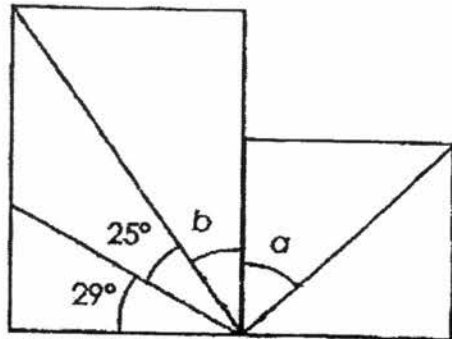
19. In the figure, one of the lines is parallel to AF. Which line is parallel to AF?



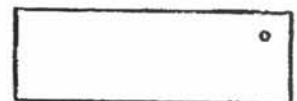
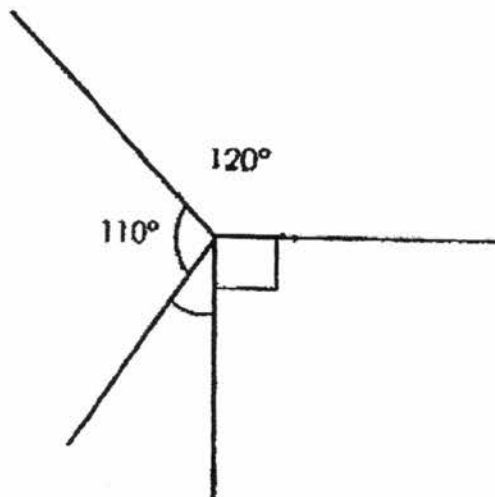
20. The product of two numbers is 5.04.
If one number is 8, what is the other number?

21. Henry is facing East. He makes a 270° anti-clockwise turn. Then he makes a $\frac{1}{2}$ turn in a clockwise direction.
What direction does he end up facing?

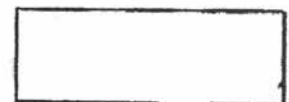
22. The figure is made up of a rectangle and a square.
Find the sum of $\angle a$ and $\angle b$.



23. Find $\angle p$ in the figure below.



24. Ahmad has swimming lesson from 4.15p.m. to 5.45 p.m. daiy
How many hour of swimming lessons does he have in a week ?



25. Meiling started her Social Studies project at 18 50. She spent 75 minutes doing it. She also took a break of $\frac{1}{2}$ h. At what time did she finish her Social Studies project? Leave your answer in

26. At first, Alan had \$25 more than Benny . Then Alan donated \$30 and Benny donated \$2 to a charity. Who had more money left ?

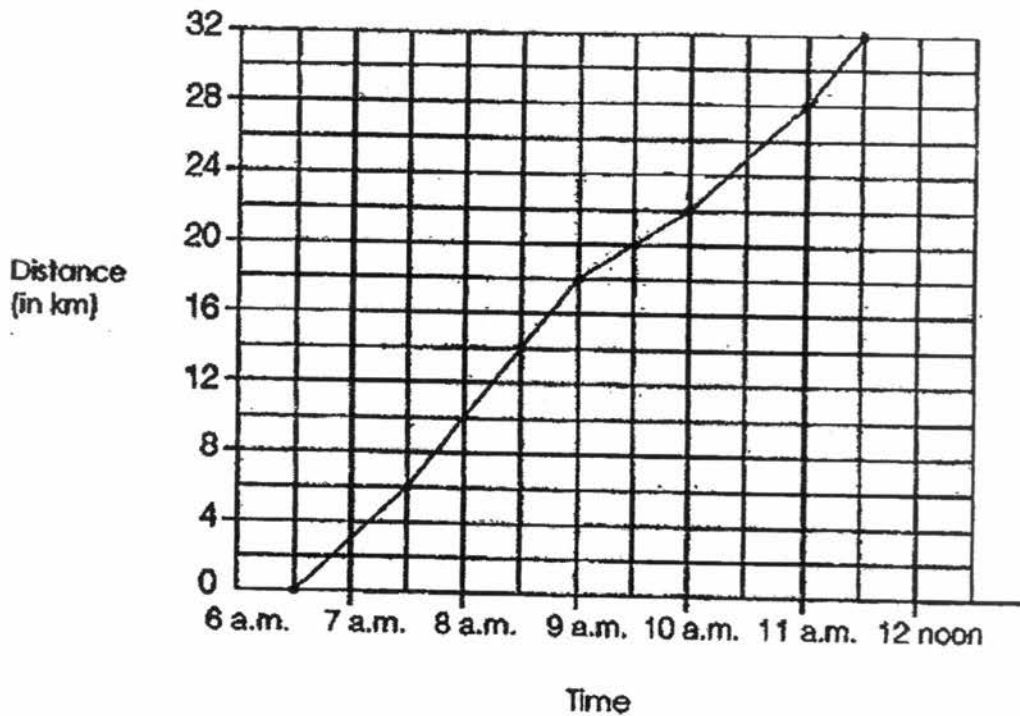


27. A rectangular courtyard has an area of 108 m². The breadth of the courtyard is 9 m. A fence is to be placed around the courtyard. How many metres of fence are needed?

 m

Use the bar graph below to answer questions 28 to 29.

The line graph shows the distance jogged by Fandi from 6.30 a.m. to 11.30 a.m. Study it carefully and answer the following questions.



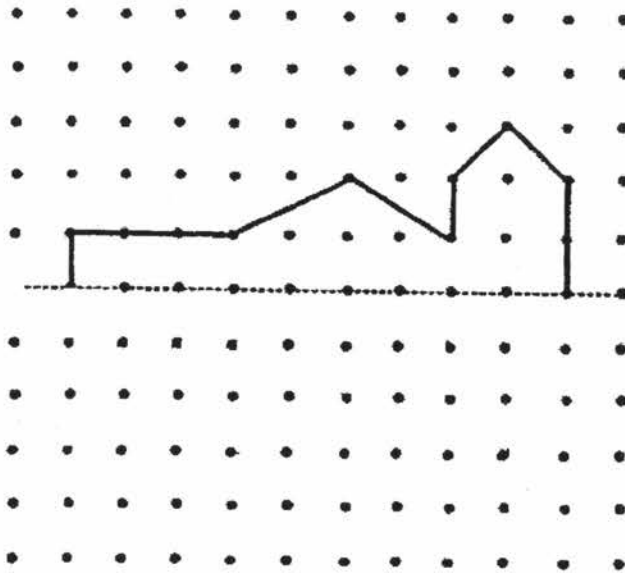
28. At what time did Fandi jog a distance of 14 km?

 a.m.

29. What was the distance jogged by Fandi from 10 a.m. to 12 noon?

 km

30. The dotted line in the figure below represents the line of symmetry. Draw the other half of the figure.



End of Paper



PRIMARY 4 END-OF-YEAR EXAMINATION 2017

Name : _____ () Date: 26 October 2017

Class: Primary 4 ()

Time: 10.30 a.m. - 11.30 a.m.

Parent's Signature : _____

Marks: _____ / **40**

MATHEMATICS

PAPER 2

Time for Paper 2 is **1 hour**.

Do not open this booklet until you are told to do so.

Read and follow all instructions carefully.

Answer all questions.

Questions 1 to 10 carry 4 marks each. Show your working clearly in the space provided for each question and write your answers in the spaces provided. For questions which require units, give your answers in the units stated. (40 marks)

1. A pen cost \$2.50 and a file cost twice as much as a pen . Mr Lim bought 4 pens and 20 files. Find the total amount of money spent by Mr Lim.

Ans: _____

2. A handbag and 2 similar wallet cost \$350. The handbag cost \$200 more than a wallet . Find the cost of the handbag.

Ans: _____

3. Mother baked 480 cookies. She gave $\frac{3}{5}$ of them to charity and packet the rest equally into 4 bottles.
- a) How many cookies did she give to charity?
b) How many cookies were there in each bottle?

Ans: a) _____
b) _____

4. Julia has 12 rows of potted plants in her garden. There are 8 pots of plants in each row. $\frac{2}{3}$ of the potted plants bear flowers. The rest do not bear flowers. How many of the potted plants do not bear flowers?

Ans: _____

5. Kelly has \$348 more than Sandy. How much money must Kelly give to Sandy so that Sandy will have \$50 more than her?

Ans: _____

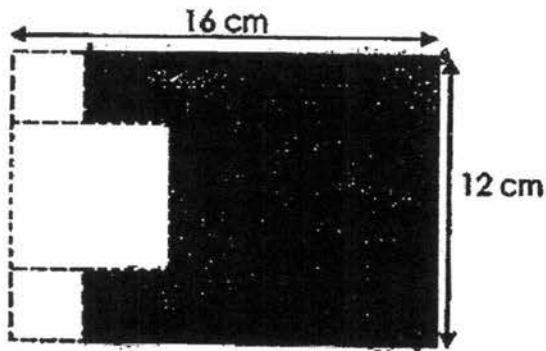
6. An artist used 1380 pink, blue and green beads for her art work. She used 240 more pink beads than green beads. She used the same number of blue beads as pink beads. How many green beads did she use?

Ans: _____

7. A box with 10 packets of biscuits weighed 4.9 kg. The mass of 2 packets of biscuits was 0.9 kg. What was the mass of the box when it was empty?
(Give your answer in kilograms)

Ans: _____

- B. Yifeng had a piece of coloured paper measuring 16 cm by 12 cm.
He cut out a square of side 6 cm and 2 squares of side 3 cm.
a) What is the perimeter of the remaining paper?
b) What is the area of the remaining paper?

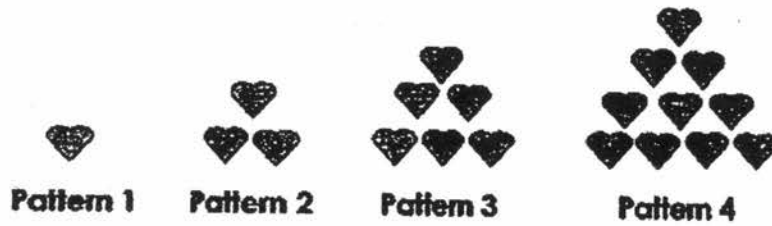


Ans: a) _____ 0
b) _____ 0

9. Baoling bought some cheese tarts. If she gives 8 cheese tarts to each cousin, she would have 6 cheese tarts remaining. If she gives 9 cheese tarts to each cousin, she would have 1 cheese tart remaining.
How many cousins did Baoling have?

Ans: _____

10. Study the pattern shown below.



Pattern Number	Number of Hearts
1	1
2	3
3	6
:	:
7	<div style="border: 1px solid black; display: inline-block; width: 30px; height: 30px; text-align: center; vertical-align: middle;">?</div>

a) How many hearts (♥) are there in Pattern 7? (2 marks)

Ans: a) _____

b) Which Pattern will have 66 hearts (♥)? (2 marks)

Ans: b) _____

End of Paper 2

EXAM PAPER 2017 (P4)

SCHOOL : TAO NAN

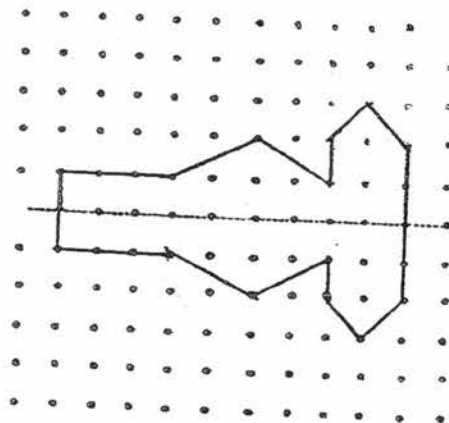
SUBJECT : MATHEMATICS

TERM : SA2

ORDER CALL :

Q1	Q2	Q3	Q4	Q5	Q6	Q7	Q8	Q9	Q10
3	4	1	4	2	3	4	3	2	2

- 11)11800 12)2 and 7 13) $27/5$ 14) $2\frac{1}{8}$ 15)0.86
16)0.67 17)0.960, 0.906, 0.609, 0.069 18)210 19)BE
20)6.3 21)North 22) 81° 23) 40° 24) $10\frac{1}{2}$ h
25)20 35 26)Benny 27)42 m 28)8.30 a.m. 29)10 km
30)



Paper 2

1) $\$2.50 \times 2 = \5

$\$2.50 \times 4 = \10

$\$5 \times 20 = \100

$\$100 + \$10 = \$110$

Mr Lim spent \$110

2) $\$350 - \$200 = \$150$

$\$150 \div 3 = \50

$\$50 + \$200 = \$250$

The cost of the handbag is \$250

3)a) $480 \div 5 = 96$

$96 \times 3 = 288$

She gave 288 baked cookies to charity.

b) $96 \times 2 = 192$

$192 \div 4 = 48$

There were 48 cookies in each bottle.

4) $8 \times 12 = 96$

$96 \div 3 = 32$

32 potted plants do not bear flowers.

5) $\$348 \div 2 = \174

$\$174 + \$25 = \$199$

Kelly must give Sandy \$199.

6) $240 \times 2 = 480$

$1380 - 480 = 900$

$900 \div 3 = 300$

She used 300 green beads.

7) $2 \times 5 = 10$

$0.9 \times 5 = 4.5$

$4.9 - 4.5 = 0.4$

The mass of the box when it was empty was 0.4kg

8) $16 - 3 = 13$

$13 + 12 + 13 + 3 + 3 + 6 + 3 + 3 = 56 \text{ cm}$

$3 \times 3 = 9$

$6 \times 6 = 36$

$16 \times 12 = 192$

$192 - 9 - 9 - 36 = 138 \text{ cm}^2$

9) 5

10) a) $21 + 7 = 28$

There are 28 hearts in Pattern 7,

b) $1 + 2 + 3 + 4 + 5 + 6 + 7 + 8 + 9 + 10 = 55$

$55 + 11 = 66$

Pattern 11 will have 66 hearts.

[Faint, illegible text, likely bleed-through from the reverse side of the page]