



2019 PRIMARY 4 SEMESTRAL ASSESSMENT 1

Name: _____ () Date: 15 May 2019

Class: Primary 4 () Time: 8.00 a.m. - 9.00 a.m.

Parent's Signature: _____ Marks: _____ / **100**

MATHEMATICS

PAPER 1

(Booklet A and Booklet B)

INSTRUCTIONS TO CANDIDATES

1. Write your name, class and register number.
2. Do not turn over this page until you are told to do so.
3. Follow all instructions carefully.
4. Answer all questions.
5. The duration for Paper 1 is 1 hour.

Booklet A	20
Booklet B	40
Paper 2	40

Paper 1 Booklet A

Multiple Choice Questions

Questions 1 to 10 carry 2 marks each.

For each question, four options are given. One of them is the correct answer.

Make your choice (1, 2, 3 or 4).

Shade the correct oval (1, 2, 3 or 4) on the Optical Answer Sheet. (20 marks)

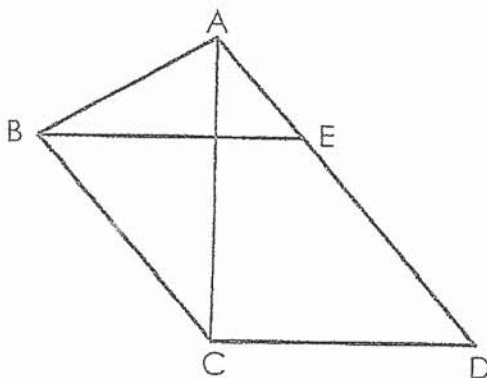
1. 15 kg 40 g = _____ g

- (1) 1504
- (2) 1540
- (3) 15 040
- (4) 15 400

2. 10 859 people visited the National Gallery.
Round this number to the nearest hundred.

- (1) 10 800
- (2) 10 850
- (3) 10 860
- (4) 10 900

3. One of the lines in the figure is perpendicular to CD.
Which line is perpendicular to CD?



- (1) AB
- (2) AC
- (3) BE
- (4) BC

4. $\frac{8}{9} - \frac{2}{3} =$ _____

(1) $\frac{2}{9}$

(2) $\frac{6}{9}$

(3) $\frac{6}{6}$

(4) $\frac{10}{12}$

5. How many fifths are there in $3\frac{4}{5}$?

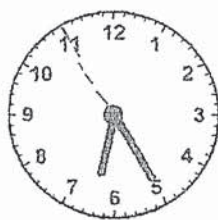
(1) 27

(2) 19

(3) 15

(4) 12

6. The minute hand of a clock moved from 6.25 a.m. to 6.55 a.m. It had made a _____ - turn.



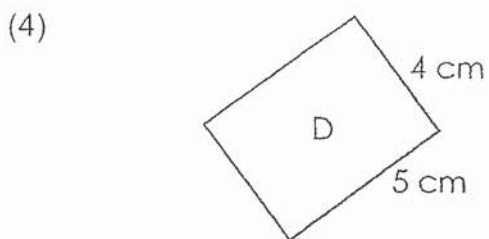
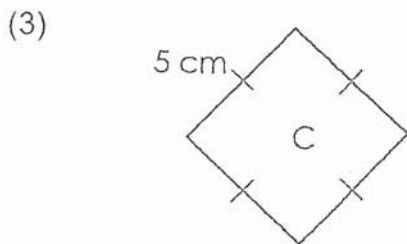
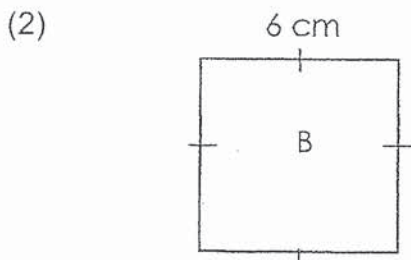
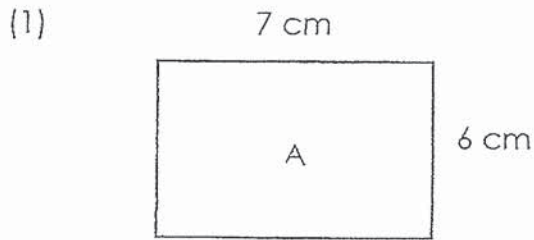
(1) $\frac{1}{4}$

(2) $\frac{1}{2}$

(3) $\frac{3}{4}$

(4) $\frac{4}{4}$

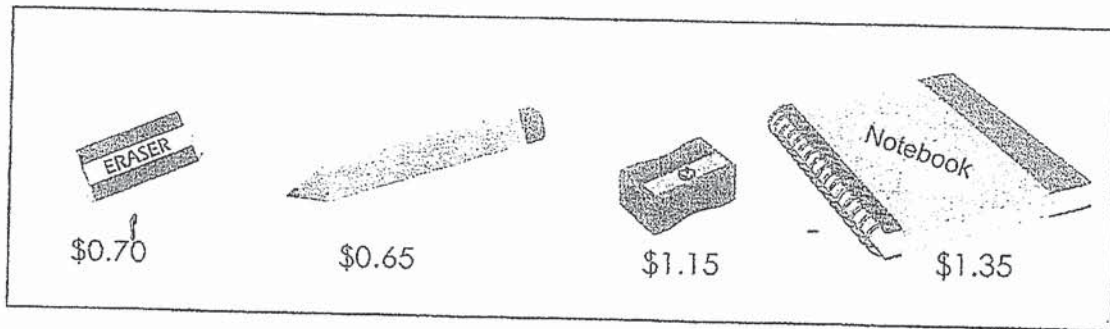
7. There are 2 squares and 2 rectangles below.
Which figure has the longest perimeter?



8. Sarah boarded a train at 9.15 a.m. and alighted 35 minutes later. She walked for 15 minutes before reaching her aunt's house. Sarah reached her aunt's house at _____.

- (1) 9.30 a.m.
(2) 9.50 a.m.
(3) 10.05 a.m.
(4) 10.15 a.m.

9. Mary spent \$2 on two items. Which two items did she buy?



- (1) eraser and pencil
(2) eraser and sharpener
(3) pencil and sharpener
(4) pencil and notebook
10. Benny saved $\frac{3}{8}$ of his money and gave the rest to his father. He gave \$225 to his father. How much did he save?

- (1) 45
(2) 75
(3) 135
(4) 360

Paper 1 Booklet B

Short Answer Questions

Questions 11 to 30 carry 2 marks each. Write your answers in the boxes provided. For questions which require units, give your answers in the units stated.

(40 marks)

11. Write 33 540 in words.

12. Complete the number pattern below.

4559 , 4809 , 5059 , _____ , 5559

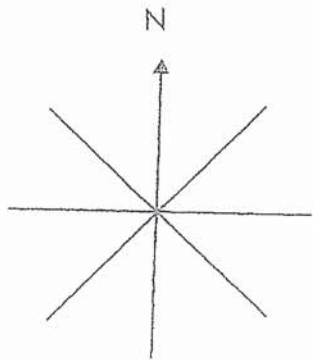
13. Form the smallest **5-digit even** number using all the digits below.

9, 0, 6, 3, 1

14. Find the sum of the first two common multiples of 8 and 12.

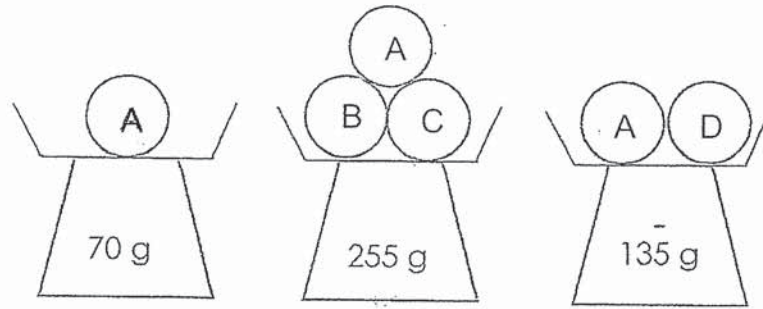
15. $\frac{3}{10}$ of a pole is painted red and $\frac{1}{5}$ of it is painted green. What fraction of the pole is not painted? Give your answer in the simplest form.

16. Mariam is facing north-east. When she turns 225° anticlockwise, which direction will she be facing?



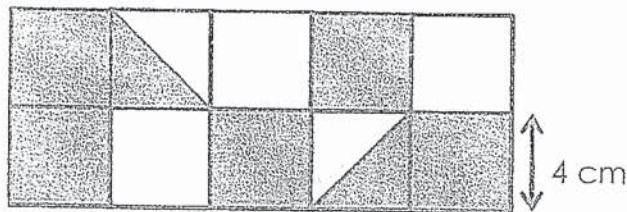
17. A burger meal cost \$5. John paid another \$0.70 to upsize the meal. He gave the cashier a \$10-note. How much change did he get?

18. The mass of some balls are shown below. What is the total mass of the balls A, B, C and D?



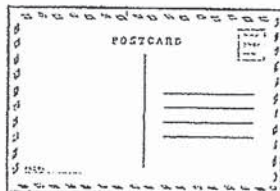
g

19. The figure below is made up of 10 identical squares. Find the area of the shaded part.



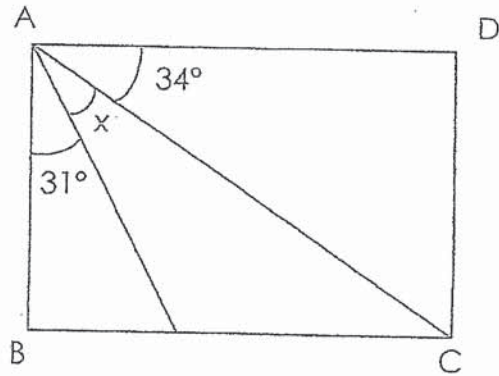
cm

20. The length of a rectangular postcard is twice its breadth. Its perimeter is 42 cm. Find its length.



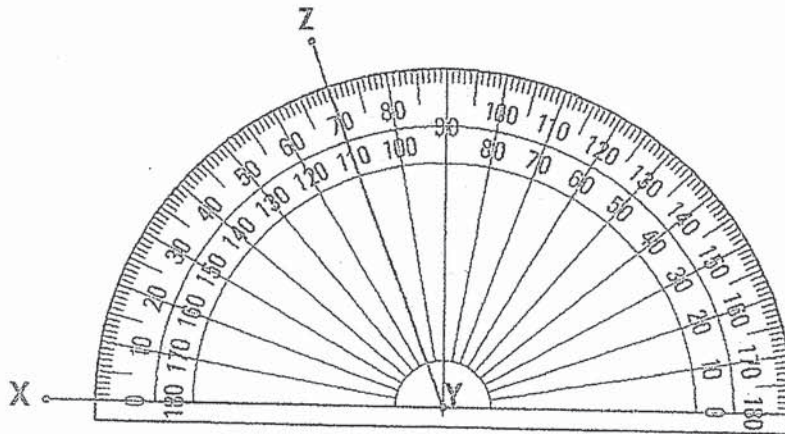
cm

21. ABCD is a rectangle. Find $\angle x$.



4

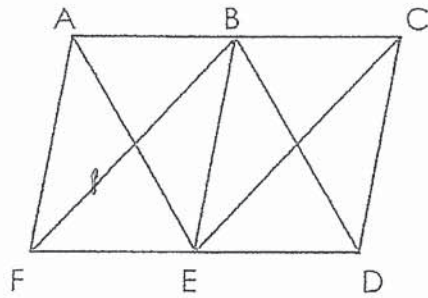
22. Find $\angle XYZ$.



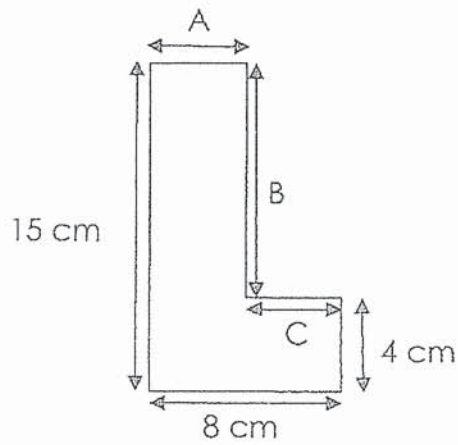
23. $\div 5 = 80 \text{ R}4$

What is the missing number?

24. In the figure, one of the lines is parallel to AE.
Which line is parallel to AE?



25. What is the total length of the lines A, B and C in the figure below?



26. Use a protractor to draw $\angle ABC = 135^\circ$. Line AB has been drawn for you.

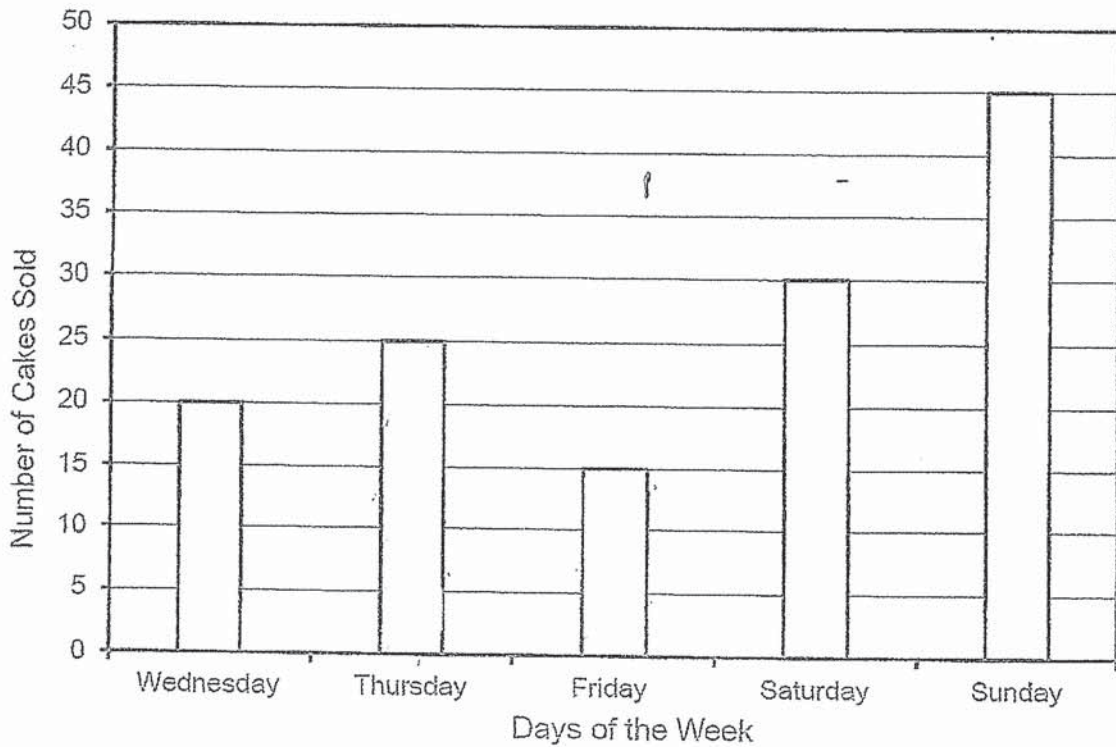


27. Elvis walks in the park once every 4 days.
 Raja walks in the park once every 5 days.
 They first met in the park on 4th May.
 When would they meet again?

MAY 2012						
SUN	MON	TUE	WED	THU	FRI	SAT
			1	2	3	4
5	6	7	8	9	10	11
12	13	14	15	16	17	18
19	20	21	22	23	24	25
26	27	28	29	30	31	

May

The bar graph below shows the number of cakes sold in 5 days at Singa Bakery. Study it carefully and answer questions 28 and 29.



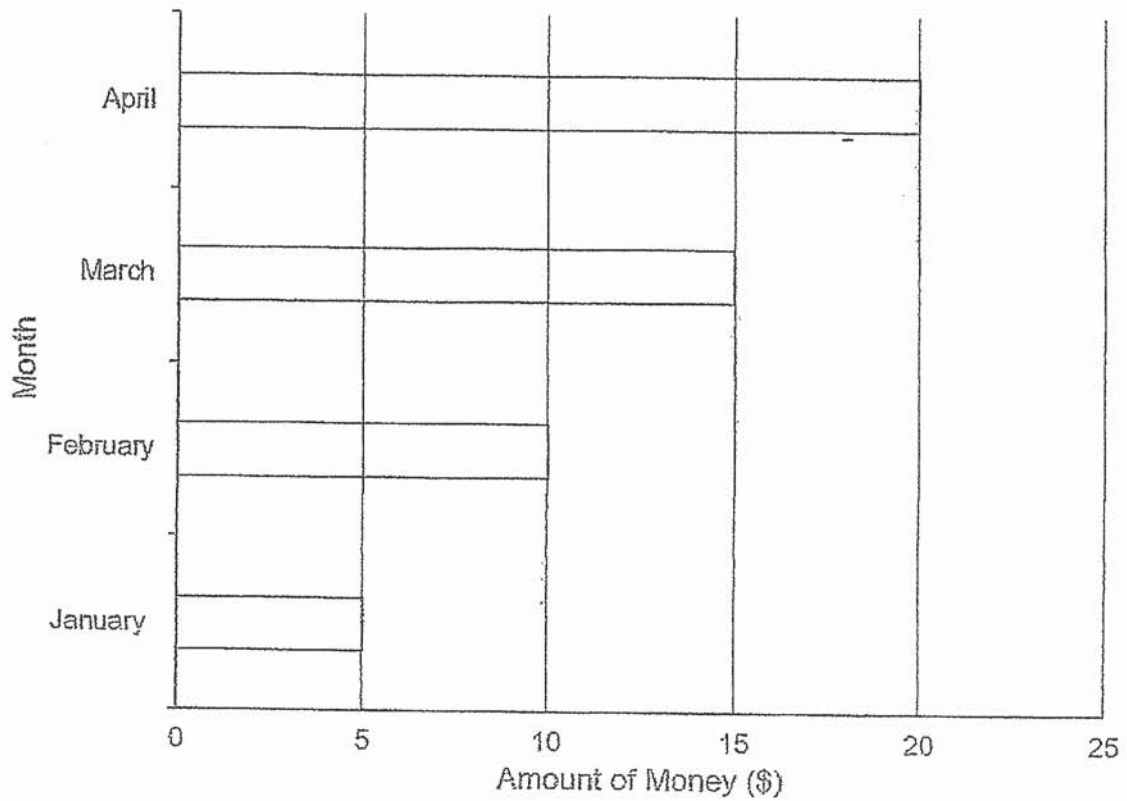
28. Put a tick (✓) if the statement is **true**.

Put a cross (X) if the statement is **false**.

Statement	✓ or X
(a) The number of cakes sold on Saturday is less than the number of cakes sold on Wednesday.	
(b) The number of cakes sold on Sunday is 3 times the number of cakes sold on Friday.	

29. What was the difference in the number of cakes sold on Thursday and on Friday?

30. The bar graph shows the amount of money Cailli had in her savings at the end of each month.



Cailli observed that the amount she saved in the first four months followed a pattern.

If Cailli continued to save following the same pattern, how much would she have in her savings in June?

\$

End of Paper 1



2019 PRIMARY 4 SEMESTRAL ASSESSMENT 1

Name: _____ () Date: 15 May 2019

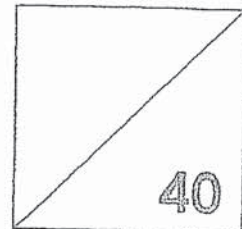
Class: Primary 4 ()

Time: 11.00 a.m. – 12.00 noon

Parent's Signature: _____

MATHEMATICS

PAPER 2



INSTRUCTIONS TO CANDIDATES

1. Write your name, class and register number.
2. Do not turn over this page until you are told to do so.
3. Follow all instructions carefully.
4. Answer all questions.
5. Show your working clearly as marks are awarded for correct working.
6. The duration for Paper 2 is 1 hour.

Questions 1 to 10 carry 4 marks each. Show your working clearly and write your answers in the spaces provided. For questions which require units, give your answers in the units stated. (40 marks)

1. There are 1280 markers altogether in 2 boxes. The markers are packed in packets of 8. The number of packets of markers in each box is the same.

- a) How many markers are there in each box?
- b) How many packets of markers are there in each box?

a) There are _____ markers in each box.

b) There are _____ packets of markers in each box.

Ans: (a) _____

: (b) _____

2. The cost of a laptop is \$1995. This is 5 times the cost of a printer. Find the total cost of a laptop and 2 printers.

The total cost is _____

Ans: _____

3. Manling started her exercise programme on Monday. Each day, she ran 400 m more than the day before. By Friday of the same week, she had run 9 km. How far did she run on Thursday?
(Leave your answer in metres.)

She ran _____ on Thursday.

Ans: _____

4. There were 80 kg of fruit in a basket.
 $\frac{1}{4}$ of them were sold on Monday and $18\frac{1}{2}$ kg of them were sold on Tuesday. How many kilograms of fruit were left?

_____ kg of fruit were left.

Ans: _____

5. Mr Wei had \$300.
He bought a pair of jeans for \$96 and 2 belts at \$33 each.
The rest of his money was spent equally on 2 pairs of shoes.

The cost of one pair of shoes was _____

Ans: _____

6. Sulin is 16 years younger than her cousin.
Last year, her cousin was thrice as old as her.
How old is Sulin now?

Sulin is _____ years old now.

Ans: _____

7. Linda, Carol and Bobby bought a present together.
Linda paid \$34 more than Carol.
Bobby paid twice the amount Carol paid.
The cost of the present was \$294.
How much did Bobby pay for the present?

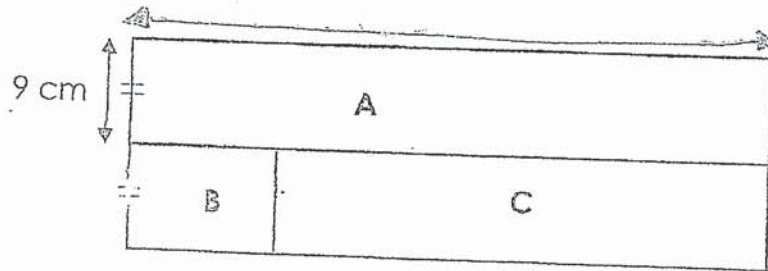
Bobby paid _____ for the present.

Ans: _____

8. The figure below is made up of rectangles A, B and C. Rectangle A has an area of 360 cm^2 .

a) What is the length of Rectangle A?

b) The length of Rectangle C is three times the length of Rectangle B. What is the length of Rectangle B?



a) The length of Rectangle A is _____.

b) The length of Rectangle B is _____.

Ans: (a) _____

(b) _____

9. William spent 1 h 50 min revising Mathematics and 1 h 25 min revising Science. He finished revising his work at 5.45 p.m.

(a) How long did he spend revising his work?

(b) What time did he start his revision?

1

-

a) He spent _____ revising his work.

b) He started his revision at _____

Ans: (a) _____

(b) _____

10. The table below shows the number of Mathematics books sold in a bookshop. Each ☆ represents 25 copies.

Title of books	Number of copies sold
<i>My Daily Maths</i>	☆☆☆☆
<i>Wonderful Maths</i>	☆☆☆☆ -
<i>Magical Numbers!</i>	☆☆☆☆☆☆☆☆
<i>Puzzling Maths</i>	☆☆☆
<i>Bedtime Maths</i>	☆☆

- a) The number of *Puzzling Maths* sold was 50 copies fewer than that of another book. What was the title of that book?
- b) What was the difference between the greatest and the least number of copies of books sold?

a) The title of that book was _____

b) The difference between the greatest and the least number of copies of books sold was _____

Ans: (a) _____

(b) _____

End of Paper 2

ANSWER KEY

YEAR : 2019
LEVEL : PRIMARY 4
SCHOOL : TAO NAN SCHOOL
SUBJECT : MATHEMATICS
TERM : SA 1

PAPER ONE BK A

Q1	3	Q2	4	Q3	2	Q4	1	Q5	2
Q6	2	Q7	1	Q8	3	Q9	4	Q10	3

PAPER ONE BK B

Q11) Thirty-three thousand, five hundred and forty

Q12) 5309

Q13) 10 396

Q14) 72

Q15) $\frac{1}{2}$

Q16) South

Q17) \$4.30

Q18) 320g

Q19) 96cm²

Q20) 14cm

Q21) 25°

Q22) 70°

Q23) 404

Q24) BD

Q25) 19cm

Q26) (Measure 135, draw and label C)

Q27) 24 May

Q28) a: false b: true

Q29) 10

Q30) \$30

PAPER TWO

Q1a) $1280 \div 2 = \underline{640}$

Q1b) $1280 \div 16 = \underline{80}$

Q2) P $\rightarrow 1995 \div 5$
= 399

T $\rightarrow 1995 + 2(399)$
= 2793

Q3) Tuesday +400m (1unit)

Wednesday +400 +400 (2units)

Thursday (3units)

Friday (4units)

$4 + 3 + 2 + 1 = 10$

$400 \times 10 = 4000$

$9000 - 4000 = 5000$

$$5000 \div 5 = 1000$$

$$\text{Monday} \rightarrow 1000$$

$$\text{Tuesday} \rightarrow 1000 + 400$$

$$\text{Thursday} \rightarrow 1000 + (400 \times 3) \\ = \underline{2200m}$$

$$\text{Q4) } \frac{1}{4} \times 80 = 20$$

$$\text{Left} \rightarrow 80 - 20 - 18.5 \\ = \underline{41.5kg}$$

$$\text{Answer: } 41\frac{1}{2} \text{ kgs}$$

$$\text{Q5) } 300 - 96 - 33 - 33 = 138$$

$$138 \div 2 = \underline{\$69}$$

Q6)

S	C
6 (18)	22
7 (21)	23
8 (24)	24

$$8 + 1 = \underline{9}$$

$$\text{Q7) } 294 - 34 = 260$$

$$260 \div 4 = 65$$

$$B \rightarrow 65 \times 2$$

$$= \underline{\$130}$$

Q8a) Length $\rightarrow 360 \div 9$
 $= \underline{40\text{cm}}$

Q8b) $40 \div 4 = \underline{10\text{cm}}$

Q9a) $1\text{h } 50\text{min} + 1\text{h } 25\text{min} = \underline{3\text{h } 15\text{min}}$

Q9b) $05\ 45 - 03\ 15 = \underline{2\ 30\text{pm}}$

Q10a) My Daily Maths

Q10b) $7 \times 25 = 175$

END

4