



HENRY PARK PRIMARY SCHOOL  
2010 SEMESTRAL EXAMINATION 2  
MATHEMATICS  
PRIMARY 5

PAPER 1  
(BOOKLET A)

Name: \_\_\_\_\_ ( )

Class: Primary 5, \_\_\_\_\_

Total Time for Booklets A and B: 50 min

Do not turn over this page until you are told to do so.

Follow all instructions carefully.

Answer all questions.

Shade your answers in the Optical Answer Sheet (OAS) provided.

You are not allowed to use a calculator.

Booklet A:

Questions 1 to 10 carry 1 mark each. Questions 11 to 15 carry 2 marks each.

For each of the questions, four options are given. One of them is the correct answer. Choose the correct answer (1, 2, 3 or 4). Shade the correct oval on the Optical Answer Sheet provided.

(20 marks)

1. In which of the following numbers does the digit 5 have a value of 500?

- (1) 25 048
- (2) 42 058
- (3) 42 508
- (4) 52 048

2. What is  $51 - 6 \times 3 + 18 \div 3$

- (1) 5
- (2) 27
- (3) 39
- (4) 51

3. Which of the following is the same as 9 060 g?

- (1) 9 kg 6 g
- (2) 9 kg 60 g
- (3) 90 kg 6 g
- (4) 90 kg 60 g

4. Mrs Wong used  $1\frac{3}{4}$  ℓ of orange juice,  $2\frac{1}{8}$  ℓ of pineapple juice and 1.5ℓ of Sprite to make fruit punch. How much fruit punch did she make? Express your answer in ℓ.

- (1)  $3\frac{7}{8}$  ℓ
- (2)  $4\frac{5}{14}$  ℓ
- (3)  $5\frac{3}{8}$  ℓ
- (4)  $5\frac{1}{2}$  ℓ

5. Chef Tan baked 7 chicken pies. He shared the chicken pies equally with his 5 siblings. What fraction of the chicken pie did each of them receive?

(1)  $\frac{5}{7}$

(2)  $\frac{6}{7}$

(3)  $1\frac{1}{6}$

(4)  $1\frac{2}{5}$

6. Round off 3.056 to 2 decimal places.

(1) 3.00

(2) 3.05

(3) 3.06

(4) 3.10

7. Wei Hao spent a total of \$25.20 in 6 days.  
What was the average amount of money she spent each day?

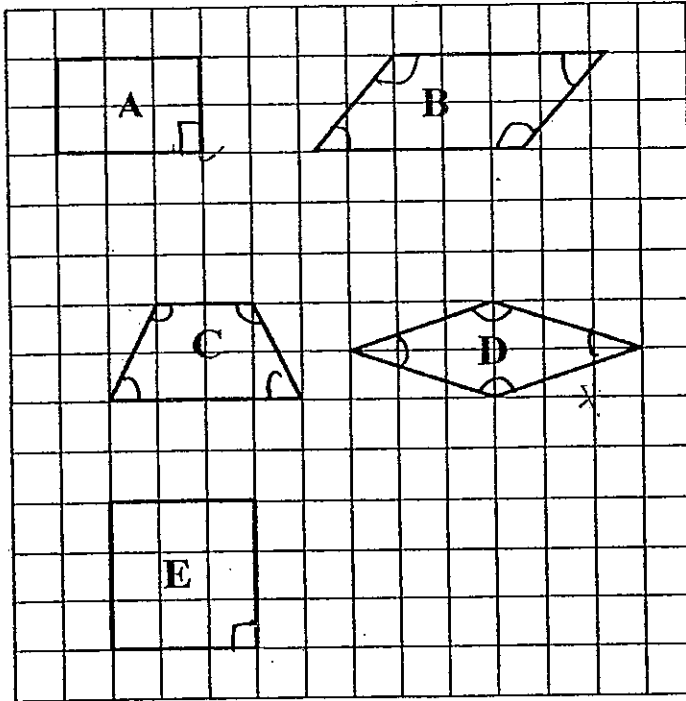
(1) \$4.20

(2) \$4.25

(3) \$42.00

(4) \$151.20

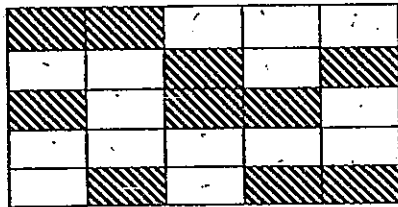
8. Study these figures which are drawn on a square grid.



Which of the following statements is true?

- (1) Only figure E has 4 equal sides.
- (2) Only figures A, B and E have 2 pairs of parallel sides.
- (3) Only figures A, D and E have opposite sides that are equal.
- (4) Only figures B, C and D have no right angles.

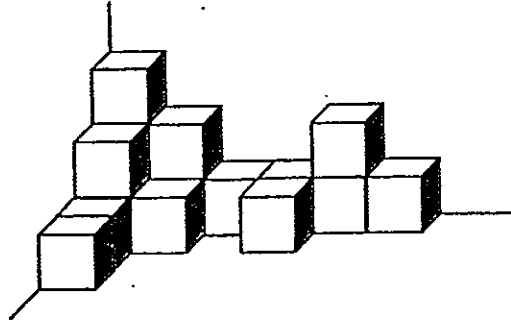
9. The figure below is made up of identical rectangles.



What is the ratio of the shaded part to the unshaded part?

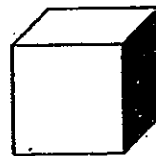
- (1) 2 : 3
- (2) 2 : 5
- (3) 3 : 5
- (4) 5 : 2

10. Grace stacked some identical cubes in a corner of a room as shown below.



What percentage of the cubes is hidden from sight?

- (1) 4%  
(2) 20%  
(3) 25%  
(4)  $33\frac{1}{3}\%$
11. While watching a play in a theatre, Sherman noticed that the seats were arranged in rows with the same number of seats in each row. There were 8 seats to his right and 4 seats to his left. In front of him were 6 rows of seats and behind him, there were 10 rows of seats. What is the seating capacity of the theatre?
- (1) 187  
(2) 192  
(3) 201  
(4) 221
12. What is the total surface area of a cube which has a volume of  $729 \text{ cm}^3$  ?



- (1)  $9 \text{ cm}^2$   
(2)  $81 \text{ cm}^2$   
(3)  $243 \text{ cm}^2$   
(4)  $486 \text{ cm}^2$

13. Liz and Beth walk round the park every morning. Liz walks a distance of  $4\frac{1}{5}$  km. Beth walks  $\frac{4}{7}$  of the distance Liz walks. What is the difference in distance covered by the two ladies in one morning? (Express your answer in *km*).

(1)  $1\frac{4}{5}$  km

(2)  $2\frac{2}{5}$  km

(3)  $3\frac{3}{5}$  km

(4)  $6\frac{3}{5}$  km

14. Samuel and Ryan shared 320 marbles in the ratio of 3 : 13 respectively. How many marbles must Ryan give Samuel so that the two boys would have the same number of marbles?

(1) 20

(2) 60

(3) 100

(4) 200

15. The length and breadth of a rectangle are both decreased by 20%. By how many percent will its area be decreased?

(1) 20%

(2) 36%

(3) 64%

(4) 80%

Booklet B :

Questions 16 to 25 carry 1 mark each. Write your answers in the spaces provided. For questions which require units, give your answers in the units stated. (10 marks)

16. Jolly Café sold 73 902 ice-cream bars last year. Express this number to the nearest ten thousand.

Ans: \_\_\_\_\_

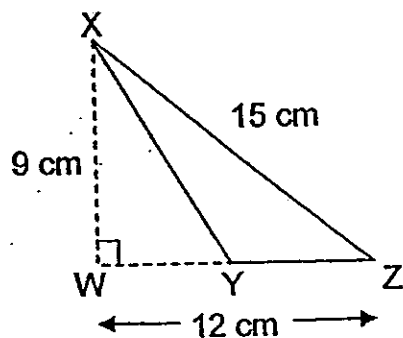
17. List the common multiples of 6 and 8 which are smaller than 50.

Ans: \_\_\_\_\_

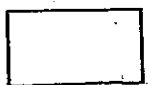
18. A movie started at 10.15 a.m. and lasted for 2h 25min. What time did the movie end?

Ans: \_\_\_\_\_ p.m.

19. Find the area of triangle XYZ given that WYZ is a straight line and Y is the midpoint of WZ.



Ans: \_\_\_\_\_ cm<sup>2</sup>





HENRY PARK PRIMARY SCHOOL  
2010 SEMESTRAL EXAMINATION 2  
MATHEMATICS  
PRIMARY 5

PAPER 1  
(BOOKLET B)

Name: \_\_\_\_\_ ( )

Class: Primary 5 \_\_\_\_\_

Total Time for Booklets A and B: 50 min

Do not turn over this page until you are told to do so.

Follow all instructions carefully.

Answer all questions.

Write your answers in this booklet.

You are not allowed to use a calculator.



20. Based on a cupcake recipe, Sherry needed 3 cups of sugar to bake 12 cupcakes. How many cups of sugar would she need if she wanted to bake 36 such cupcakes?

Ans: \_\_\_\_\_

21. Find the value of  $13.35 - 8.8$ .

Ans: \_\_\_\_\_

22. Express  $\frac{7}{25}$  as a decimal.

Ans: \_\_\_\_\_

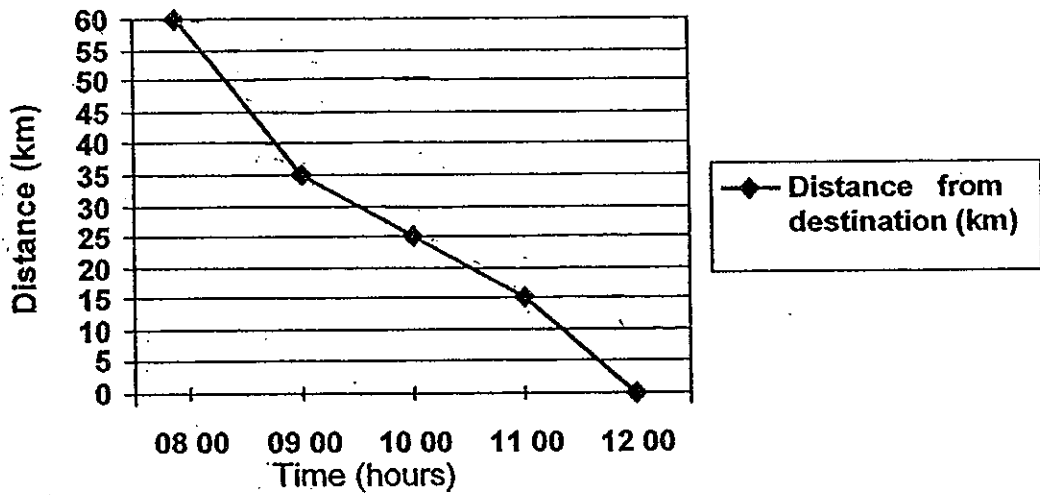
23. Write down the letter(s) which has/have the dotted line as a line of symmetry.



Ans: \_\_\_\_\_



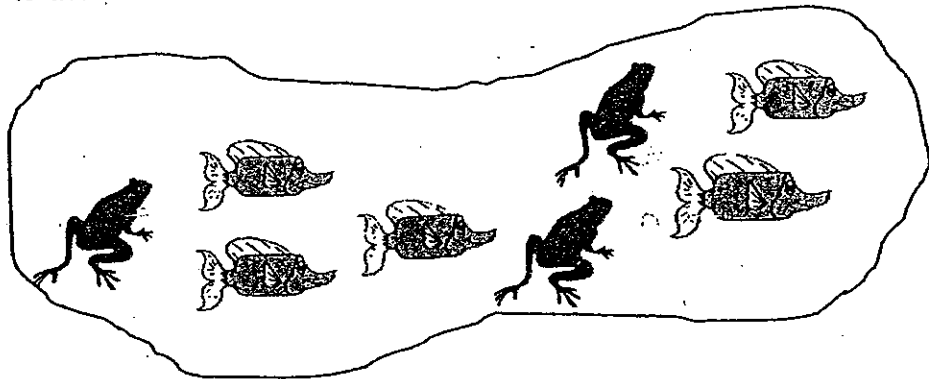
24. The line graph below shows the distance a cyclist was from his destination which was 60 km away, over a period of time. He started cycling from 8 am and reached his destination at 12 noon.



During which one-hour period was the cyclist cycling at his fastest speed?

Ans: Between \_\_\_\_\_ and \_\_\_\_\_

25. The figure below shows the number of fish and frogs present in a pond. How many more fish must be added to the pond in order for the ratio of the number of frogs to the number of fish be 1 : 4 ?

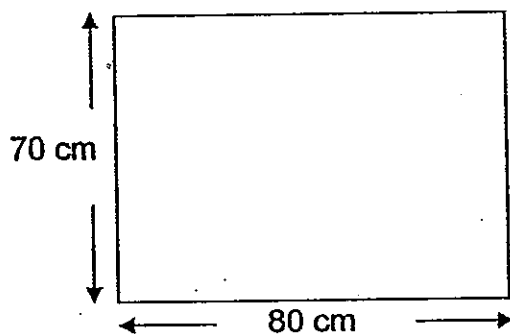


Ans: \_\_\_\_\_



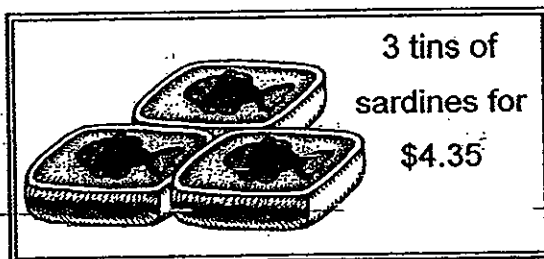
Questions 26 to 30 carry 2 marks each. Show your working clearly in the space provided for each question and write your answers in the spaces provided. For questions which require units, give your answers in the units stated. (10 marks)

26. Mr Tan wants to tile a rectangular patch in his garden as shown in the diagram below. He uses square tiles of side 4 cm to tile the patch. What is the maximum number of square tiles he has used to tile the rectangular patch?

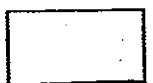


Ans: \_\_\_\_\_

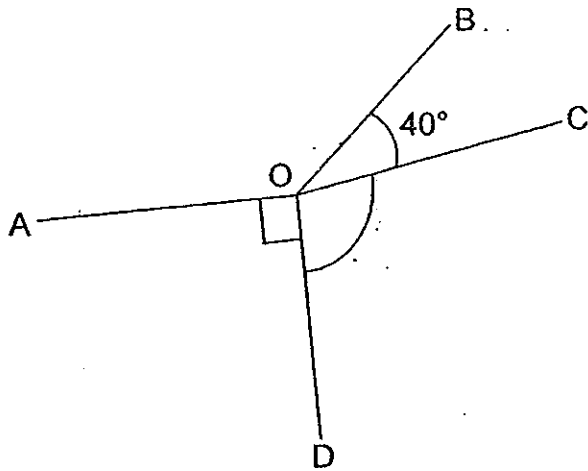
27. Ariel bought 15 tins of sardines and gave the cashier three \$10 notes. How much change should Ariel get back?



Ans: \$ \_\_\_\_\_



28. In the figure below not drawn to scale,  $\angle AOB$  is thrice the size of  $\angle BOC$ . Find  $\angle COD$ .



Ans: \_\_\_\_\_°

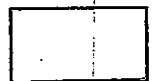
29. The average mass of 6 passengers in a lift was 58 kg. After two of the passengers left the lift, the average mass of the remaining passengers became 62 kg. What was the average mass of the two passengers who left the lift?

Ans: \_\_\_\_\_ kg

30. Mr Ong earns \$6 000 a month. He saves 20% of it, spends \$600 and gives the rest to his wife. What percentage of his salary does he give to his wife?

Ans: \_\_\_\_\_%

End of Paper 1





HENRY PARK PRIMARY SCHOOL  
2010 SEMESTRAL EXAMINATION 2  
MATHEMATICS  
PRIMARY 5

PAPER 2

Name: \_\_\_\_\_ ( )

Class: Primary 5 \_\_\_\_\_

Time for Paper 2: 1 h 40 min

Do not turn over this page until you are told to do so.

Follow all instructions carefully.

Answer all questions.

Show your working clearly as marks are awarded for correct working.

Write your answers in this booklet.

You are allowed to use a calculator.

Questions 1 to 5 carry 2 marks each. Show your working clearly in the space provided for each question and write your answers in the space provided. For questions which require units, give your answers in the units stated. (10 marks)

1. Sally spent \$185 on 4 identical purses and 3 identical bags. The cost of each bag was \$35. How much did Sally pay for each purse?

Ans: \$ \_\_\_\_\_

2. Figure A, made up of 3 identical squares, is symmetrical about the dotted line. Show, by drawing on Figure A, one way of dividing the figure into 4 identical parts.

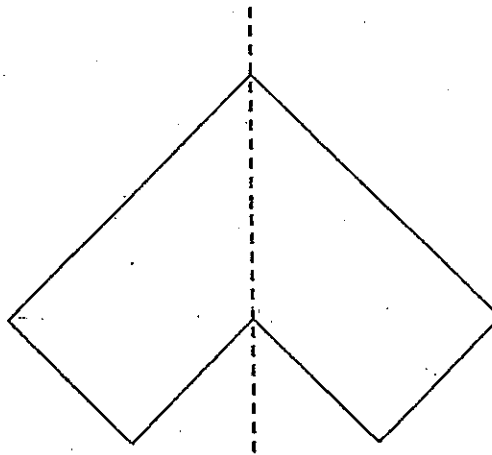


Figure A



3. Arjun, Leonard and Mantej have a total of 180 Animal Kaiser Cards. When Leonard gives 25 of his Animal Kaiser cards to Arjun, all three boys have an equal number of cards. Find the ratio of the number of Arjun's cards to the number of Leonard's cards originally.

Ans: \_\_\_\_\_

4. Matthew and Zack use the game board below and a die to play a game. Each player takes turn to roll the die onto the game board. The number that the die lands on is to be multiplied by the number on the top face of the die. If the product is greater than 21, the player crosses out the number.

<del>3.81</del>	<del>4.12</del>	<del>3.60</del>
<del>4.90</del>	<del>5.02</del>	<del>3.45</del>
2.99	3.90	3.78



Base on the rule above, which number(s) on the game board will never be crossed out?

Ans: \_\_\_\_\_

5. Miss Chan used 25% of her monthly salary for insurance payment. She then used 10% of her remaining salary to buy a handbag and saved the rest. If the handbag cost \$262.50, find Miss Chan's monthly salary.

Ans: \$ \_\_\_\_\_



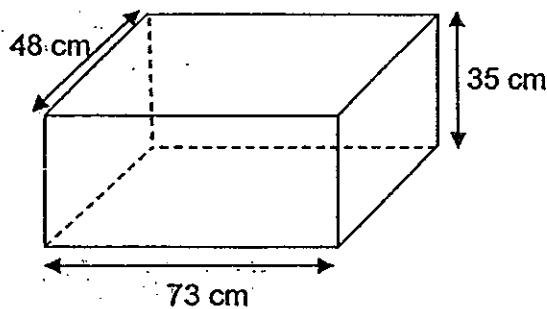
For questions 6 to 18, show your working clearly in the space provided for each question and write your answers in the spaces provided.

The number of marks available is shown in brackets [ ] at the end of each question or part-question. (50 marks)

6. Mr Tan sold muffins at \$2 each. During a promotional event, for every 3 muffins purchased, he gave 1 muffin free to the customer. What was the least possible amount he could earn during the promotional event if he sold and gave away a total of 174 muffins?

Ans: \_\_\_\_\_ [3]

7. A tank measuring 73 cm by 48 cm by 35 cm was filled to the brim with water. After leaving the tank out in the open for 2 days, Sheila measured and found that there was only 101 616 ml of water left. What was the decrease in the height of the water level in the tank after it had been left out in the open for 2 days?



Ans: \_\_\_\_\_ [3]

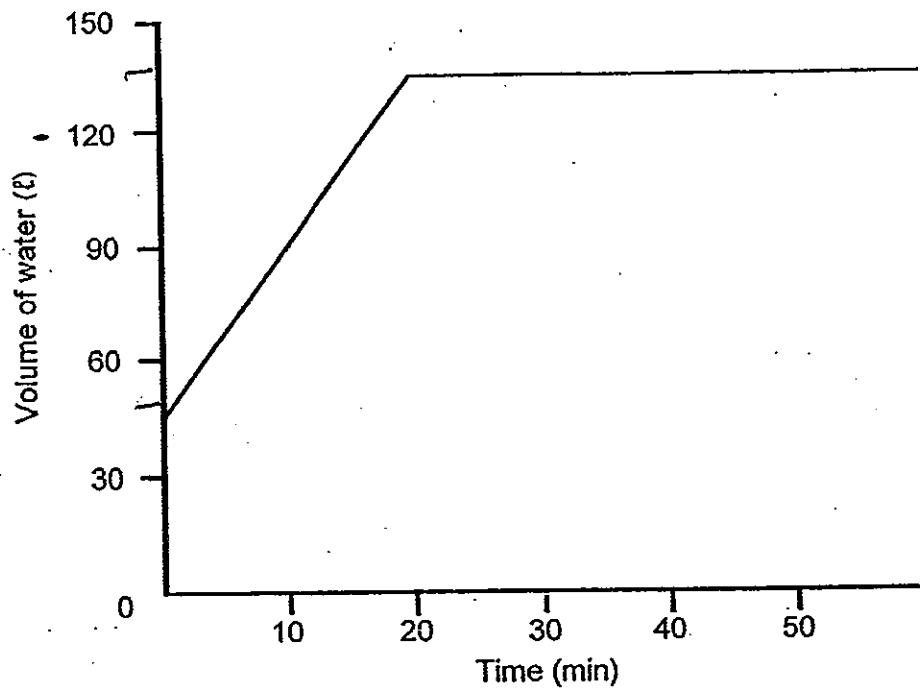




8. Every time George saved \$0.60, his mother put in another \$0.25 into his savings. When George had \$26.35 in his savings, how much of it had been put in by his mother?

Ans: \_\_\_\_\_ [3]

9. A rectangular tank was partly filled with water. A tap was then turned on for 20 minutes to fill the tank completely. The line graph below shows the volume of water in the tank at regular intervals of time.



- a) How much water was in the tank at first?  
b) What percentage of the tank was filled with water at 10 minutes? (Give your answer corrected to 2 decimal places.)

Ans: a) \_\_\_\_\_ [1]

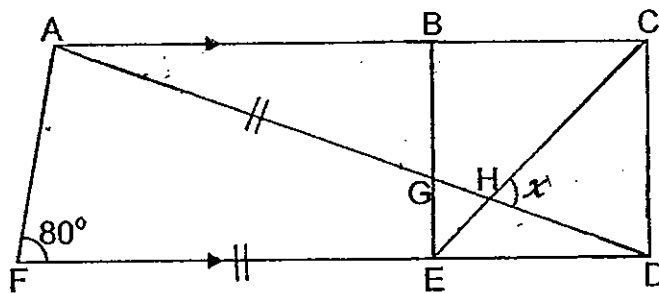
b) \_\_\_\_\_ [2]



10. Travis and Sean had an equal amount of money each. After Travis had given \$240 to Sean, the ratio of Travis' money to Sean's money was 4 : 7.  
How much money did Travis have in the end?

Ans: \_\_\_\_\_ [3]

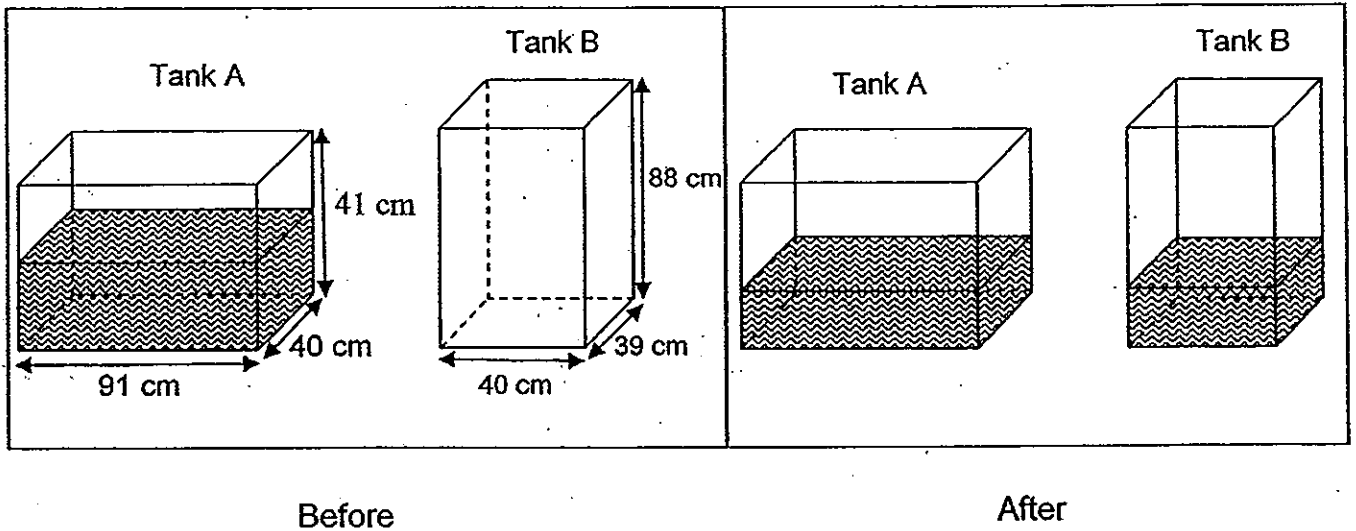
11. The figure below is made up of a trapezium ABEF and a square BCDE. AC, AD and FD are straight lines with  $AD = FD$ .  $\angle AFD = 80^\circ$ .  
Find  $\angle x$  in the figure.



Ans: \_\_\_\_\_ [4]



12. Tank A, measuring 91 cm by 40 cm by 41 cm, is half-filled with water. Tank B, measuring 40 cm by 39 cm by 88 cm is empty. Miss Lim poured water from Tank A into Tank B without spilling until the water level in both tanks were the same. What is the volume of the water in Tank B now?



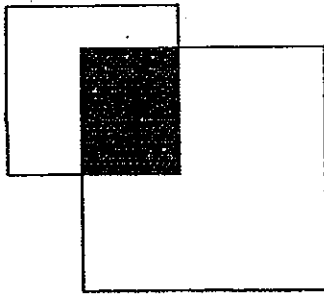
Ans: \_\_\_\_\_ [4]



13. A tailor had some buttons. She used  $\frac{2}{3}$  of the buttons for some shirts and  $\frac{1}{4}$  of the remainder for some dresses. She bought another 1428 buttons and had twice the number of buttons she had at first. How many buttons had she at first?

Ans: \_\_\_\_\_ [4]

14. The figure below is made up of 2 squares of different sizes. The area of the small square is 50% of the area of the big square. The overlapped shaded area is  $20 \text{ cm}^2$ . The area of the unshaded small square is  $\frac{1}{3}$  the area of the unshaded big square. Find the area of the small square.



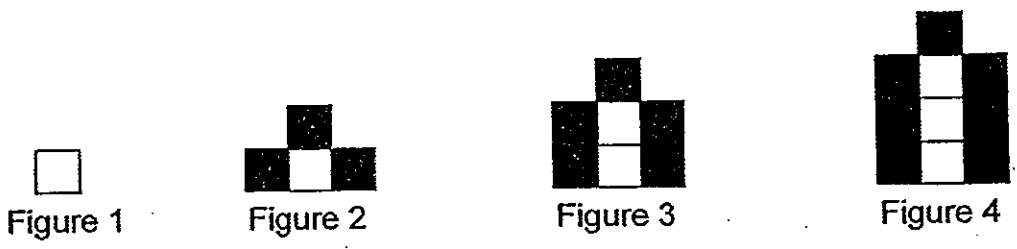
Ans: \_\_\_\_\_ [4]



15. Chef Huang baked an equal number of chicken pies, minced pies and vegetable pies to be sold at a charity sale. At the charity sale, he sold 48 chicken pies and a number of minced pies and vegetable pies. He then had 20 pies left. Of the pies left, there were thrice as many minced pies as chicken pies left. There were 5 fewer chicken pies than vegetable pies left. How many pies did he bake?

Ans: \_\_\_\_\_ [4]

16. Study the pattern below.



- (a) How many white squares will there be in Figure 10?
- (b) How many grey squares will there be in Figure 10?
- (c) Which figure is made up of a total of 274 such squares ?

Ans: (a) \_\_\_\_\_ [1]

(b) \_\_\_\_\_ [1]

(c) \_\_\_\_\_ [2]

17. Michael bought some apples and gave half of them to Jackson.  
Jackson bought some pears and gave half of them to Michael.  
Michael threw away 25 pears that were rotten while Jackson bought for himself another 20 apples.  
After that, the number of pears to apples Michael had were in the ratio of 1 : 4 and the number of pears to apples Jackson had were in the ratio of 1 : 2.  
How many pears did Jackson buy?

Ans: \_\_\_\_\_ [5]

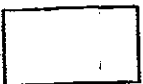


18. Mrs Lee knitted many scarves for sale.  $\frac{3}{5}$  of them were black scarves and the rest were white scarves. After selling 120 white scarves and  $\frac{5}{9}$  of the black scarves, she had  $\frac{2}{5}$  of the scarves left. How many scarves did she sell in all?

Ans: \_\_\_\_\_ [5]

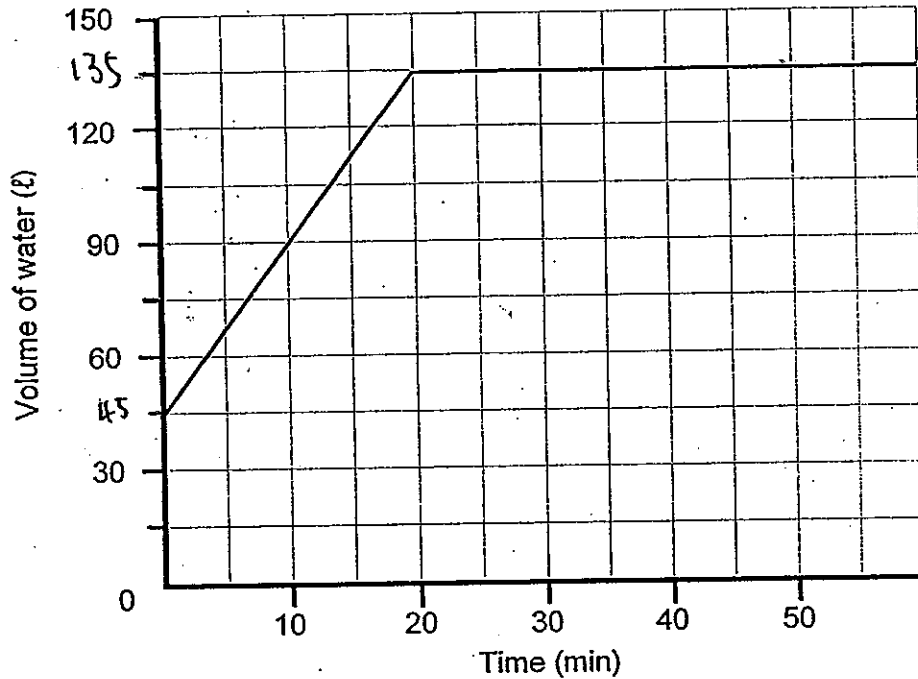
END OF PAPER-

Setters: Mrs Josephine Lai & Mrs Esther Ang



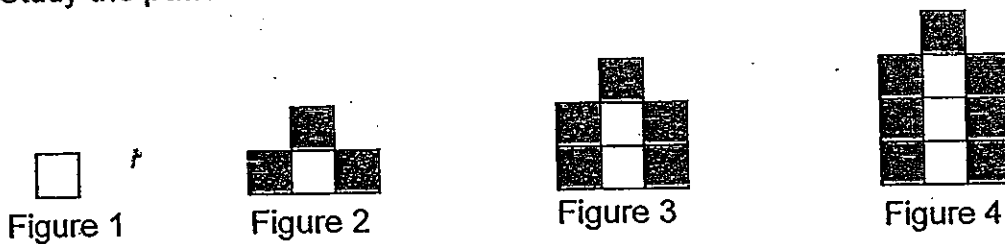
Refer to the diagrams below for Question 9 and 16.

9. A rectangular tank was partly filled with water. A tap was then turned on for 20 minutes to fill the tank completely. The line graph below shows the volume of water in the tank at regular intervals of time.



- How much water was in the tank at first?
- What percentage of the tank was filled with water at 10 minutes? (Give your answer corrected to 2 decimal places.)

16 Study the pattern below.



- How many white squares will there be in Figure 10?
- How many grey squares will there be in Figure 10?
- Which figure is made up of a total of 274 such squares?

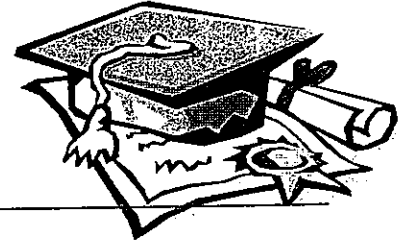


# ANSWER SHEET

**EXAM PAPER 2010**

**SCHOOL : HENRY PARK PRIMARY  
SUBJECT : PRIMARY 5 MATHEMATICS**

**TERM : SA2**



Q1	Q2	Q3	Q4	Q5	Q6	Q7	Q8	Q9	Q10	Q11	Q12	Q13	Q14	Q15
3	3	2	3	3	3	1	4	1	3	4	4	4	3	2

- 16) 70000    17) 48, 24    18) 12.40    19) 27    20) 9    21) 4.55    22) 0.28  
23) H    24) 0800 and 0900    25) 7    26) 340    27) 8.25    28) 110  
29) 50kg    30) 70%

**Paper 2**

- 1) \$20  
2)

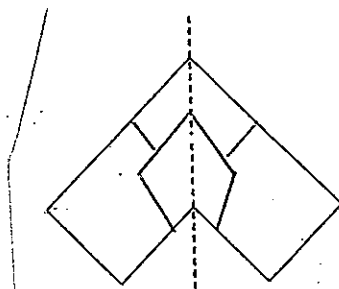


Figure A

- 3) 7:17    4) 3.45, 2.99    5) 3500    6) \$262    7) 6cm    8) \$7.75    9a) 45L  
9b) 66.67%    10) \$640    11) 65    12) 22386    13) 816    14) 40    15) 153  
16a) 9    16b) 19    16c) 92    17) 80    18) 270

1000