

Name: _____ ()

Class: Primary 5 _____

CHIJ ST NICHOLAS GIRLS' SCHOOL (PRIMARY)**Primary 5 Mathematics****2022 End - Year Assessment****Paper 1****Booklet A****27 October 2022****15 questions****20 marks****Total Time for Booklets A and B: 1 hour****INSTRUCTIONS TO CANDIDATES**

Do not turn over this page until you are told to do so.

Follow all instructions carefully.

Answer all questions.

Write your answers in this booklet.

The use of calculators is **NOT** allowed.

This booklet consists of 9 printed pages.

Questions 1 to 10 carry 1 mark each. Questions 11 to 15 carry 2 marks each. For each question, four options are given. One of them is the correct answer. Make your choice (1, 2, 3 or 4). Shade the correct oval (1, 2, 3, or 4) on the Optical Answer Sheet.
(20 marks)

1 6 hundreds, 9 tens and 3 thousandths is _____.

- (1) 690.3
- (2) 690.003
- (3) 609.3
- (4) 609.003

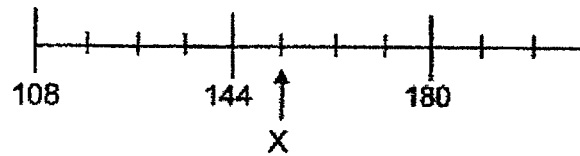
2 Find the difference between 85 812 and 23 167.
Round your answer to the nearest hundred.

- (1) 62 000
- (2) 62 600
- (3) 62 700
- (4) 63 000

3 $\frac{3}{7}$ of a number is 42. What is $\frac{1}{2}$ of this number?

- (1) 18
- (2) 21
- (3) 49
- (4) 98

4 Look at the number line shown below. What is the value of X?



- (1) 150
- (2) 153
- (3) 156
- (4) 160

5 In an exhibition hall, there were 140 adults. 28 were women. What is the ratio of the number of men to the number of women?

(1) 1 : 4

(2) 1 : 5

(3) 4 : 1

(4) 5 : 1

6 Express $\frac{72}{120}$ as a percentage.

(1) 0.06%

(2) 0.6%

(3) 6%

(4) 60%

Use the table below to answer questions 7 and 8.

The table below shows the number of bookmarks made by pupils in an art club.

Number of bookmarks made by each pupil	Number of pupils
0	10
1	20
2	45
3	10
4	25

7 What is the total number of pupils who made more than 2 bookmarks?

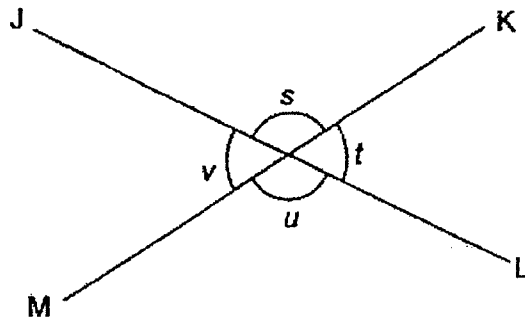
- (1) 30
- (2) 35
- (3) 45
- (4) 80

8 How many bookmarks did the pupils make altogether?

- (1) 100
- (2) 110
- (3) 230
- (4) 240

- 9 Xue Hui had a few \$1 coins, 50-cent coins and 20-cent coins in her wallet. She took out four coins to buy a drink. Which of the following could not be the price of the drink?

- (1) \$1.70
(2) \$1.90
(3) \$2.60
(4) \$2.70
- 10 JL and KM are straight lines.
Which of the following statements is true?



- (1) $\angle s = \angle t$
(2) $\angle s + \angle t = 90^\circ$
(3) $\angle s + \angle u = 180^\circ$
(4) $\angle t + \angle u = 180^\circ$

11 Which of the following is the closest to 1?

(1) $\frac{8}{9}$

(2) $\frac{7}{8}$

(3) $1\frac{1}{4}$

(4) $1\frac{1}{3}$

12 Delphine, Emil and Fahmi shared a sum of money in the ratio of 3 : 1 : 8.

Delphine received \$12 more than Emil. How much more money did Fahmi receive than Emil?

(1) \$28

(2) \$32

(3) \$42

(4) \$48

- 13 A printer prints 100 pages in 5 minutes. How pages can it print in 1 hour?
- (1) 500
 - (2) 1200
 - (3) 2000
 - (4) 6000
- 14 Peng Shan bought 3 similar big mugs and 2 similar small mugs. The total mass of the 5 mugs is 1128.8 g. The mass of each big mug is twice the mass of a small mug. Find the total mass of 4 small mugs.
- (1) 141.1 g
 - (2) 225.76 g
 - (3) 564.4 g
 - (4) 903.04 g

- 15 The pupils in a class were divided equally into Team X and Team Y. $\frac{1}{3}$ of the pupils in Team X are boys. $\frac{1}{5}$ of the pupils in Team Y are girls. What fraction of the pupils in the class are girls?

(1) $\frac{8}{15}$

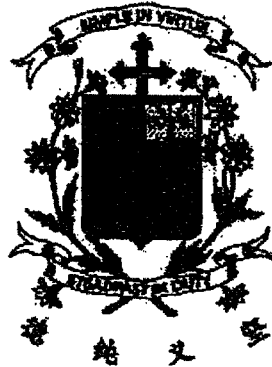
(2) $\frac{13}{15}$

(3) $\frac{13}{30}$

(4) $\frac{17}{30}$

Name: _____ ()

Class: Primary 5 _____

CHIJ ST NICHOLAS GIRLS' SCHOOL (PRIMARY)**Primary 5 Mathematics****2022 End - Year Assessment****Paper 1****Booklet B****27 October 2022**

Booklet A	20
Booklet B	25
Total (Paper 1)	45

15 questions
25 marks

Total Time for Booklets A and B: 1 hour

INSTRUCTIONS TO CANDIDATES

Do not turn over this page until you are told to do so.

Follow all instructions carefully.

Answer all questions.

Write your answers in this booklet.

The use of calculators is **NOT** allowed.

This booklet consists of 10 printed pages.

Questions 16 to 20 carry 1 mark each. Show your working clearly and write your answers in the spaces provided. For questions which require units, give your answers in the units stated. (5 marks)

Do not write in this space

16 What is the value of $(210 - 60 + 3) - 9 \times 6$?

Ans: _____

17 Find the value of $5 - \frac{7}{12}$. Give your answer as a mixed number in its simplest form.

Ans: _____

- 18 A cup holds 400 ml of water when filled to the brim. How many such cups are needed to fill a container of 3200 ml to the brim?

Do not write
in this space

Ans: _____

- 19 Write down a ratio that is equivalent to 2 : 9.

Ans: _____

- 20 The table shows the bulk post charges by a delivery company.

Mass Step Not Over	Bulk Post Charge
1 kg	\$15
3 kg	\$42
Per additional step of 500 g or part thereof	\$8

Ganesh wants to send a package that weighs 1.7 kg. How much does he need to pay for the bulk post charge?

Ans: \$ _____

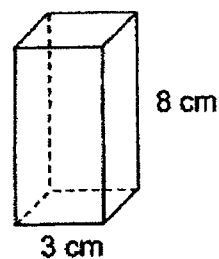
Questions 21 to 30 carry 2 marks each. Show your working clearly and write your answers in the spaces provided. For questions which require units, give your answers in the units stated. (20 marks)

Do not write in this space

- 21 Casper baked 54 banana, cheese and blueberry muffins altogether. $\frac{1}{3}$ of the muffins were banana muffins. $\frac{1}{9}$ of the muffins were cheese muffins and the remaining muffins were blueberry muffins. How many blueberry muffins did Casper bake?

Ans: _____

- 22 The figure shows a cuboid with a square base of side 3 cm and a height of 8 cm. Find the volume of the cuboid.

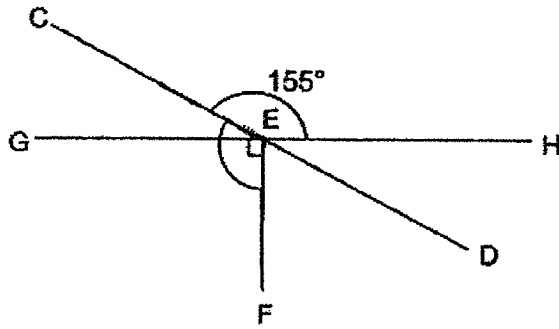


Ans: _____ cm³

4

MARKS:

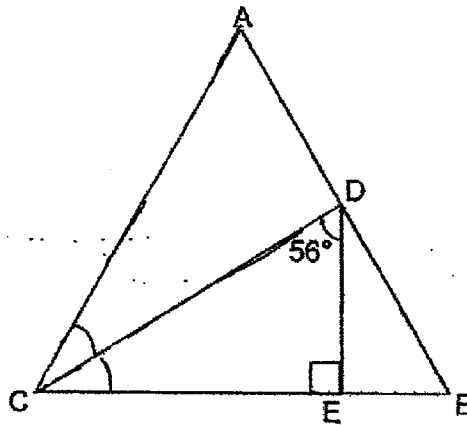
- 23 CED and GEH are straight lines. $\angle CEH = 155^\circ$ and $\angle GEF = 90^\circ$.
Find $\angle CEF$.



Do not write
in this space

Ans: _____°

- 24 ABC is an equilateral triangle and $\angle CDE = 56^\circ$. Find $\angle ACD$.



Ans: _____°

- 25 Figure 1 shows a right-angled triangle of height 12 cm and base 5 cm. Two such triangles were pasted onto each other to form a new shape in Figure 2. The shaded area is 18 cm^2 . What is the area of the new shape in Figure 2? Do not write in this space

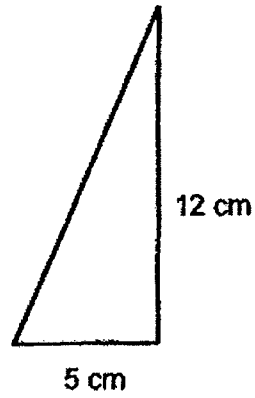


Figure 1



Figure 2

Ans: _____ cm^2

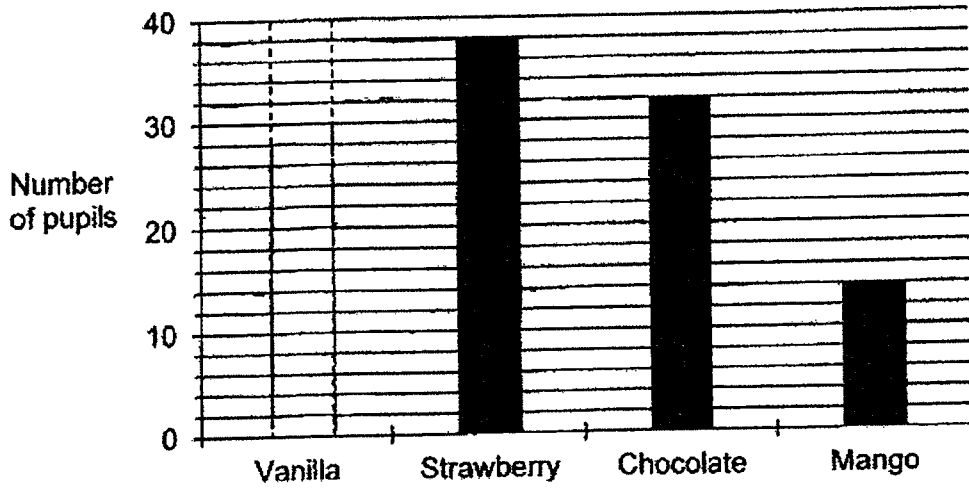
- 26 A restaurant is having a promotion. The regular price for each dinner set is \$30. For every 9 dinner sets purchased, the tenth dinner set will be free. How much does it cost to purchase 52 such dinner sets?

Do not write
in this space

Ans: \$ _____

- 27 A group of Primary Five pupils were asked to choose their favourite ice cream flavours from vanilla, strawberry, chocolate and mango. The bar graph represents the choices made by the pupils. $\frac{1}{4}$ of the pupils chose vanilla. Draw the bar that shows the number of pupils who chose vanilla ice cream.

Do not write in this space



- 28 The usual price of a cabinet was \$200. During a sale, there was a 16% discount on the cabinet. As a member, Tosh was given an additional discount of \$2.80. How much did Tosh save altogether?

Do not write
in this space

Ans: \$ _____

- 29 Rice is sold in packets of 2 kg, 1 kg or 0.5 kg. Meifeng bought exactly 9.5 kg of rice. What is the least number of packets of rice Meifeng bought?

Ans: _____

- 30 Devi and Annabel had \$98 each. Annabel bought some similar notebooks and had \$17 left. Devi wanted to buy 40 such notebooks but would need another \$22. How many notebooks did Annabel buy?

Do not write
in this space

Ans: _____

End of Paper

10

MARKS:

Name: _____ ()

Class: Primary 5 _____

CHIJ ST NICHOLAS GIRLS' SCHOOL (PRIMARY)**Primary 5 Mathematics****2022 End - Year Assessment****Paper 2****27 October 2022**

Paper 1	45
Paper 2	55
Total Marks	100

Parent's/Guardian's Signature
Time : 1 hour 30 minutes**INSTRUCTIONS TO CANDIDATES**

Do not turn over this page until you are told to do so.

Follow all instructions carefully.

Answer all questions.

Write your answers in this booklet

The use of an approved calculator is expected, where appropriate.

This booklet consists of 16 printed pages.

Questions 1 to 5 carry 2 marks each. Show your working clearly and write your answers in the spaces provided. For questions which require units, give your answers in the units stated. (10 marks)

Do not write in this space

- 1 Leroy and Kenneth have 1080 cards altogether. Leroy has 98 more cards than Kenneth. How many cards does Kenneth have?

Ans : _____

- 2 Aaron bought a bicycle which included a GST of 7%. The price of the bicycle before GST was \$250. How much did he pay for the bicycle?

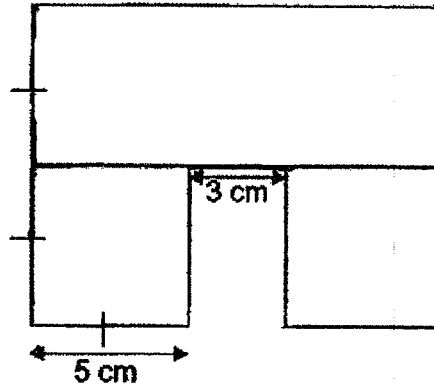
Ans : \$ _____

2

MARKS:

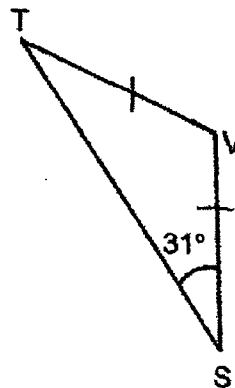
- 3 The figure is made up of 2 identical squares and a rectangle. Find the perimeter of the figure.

Do not write in this space



Ans : _____ cm

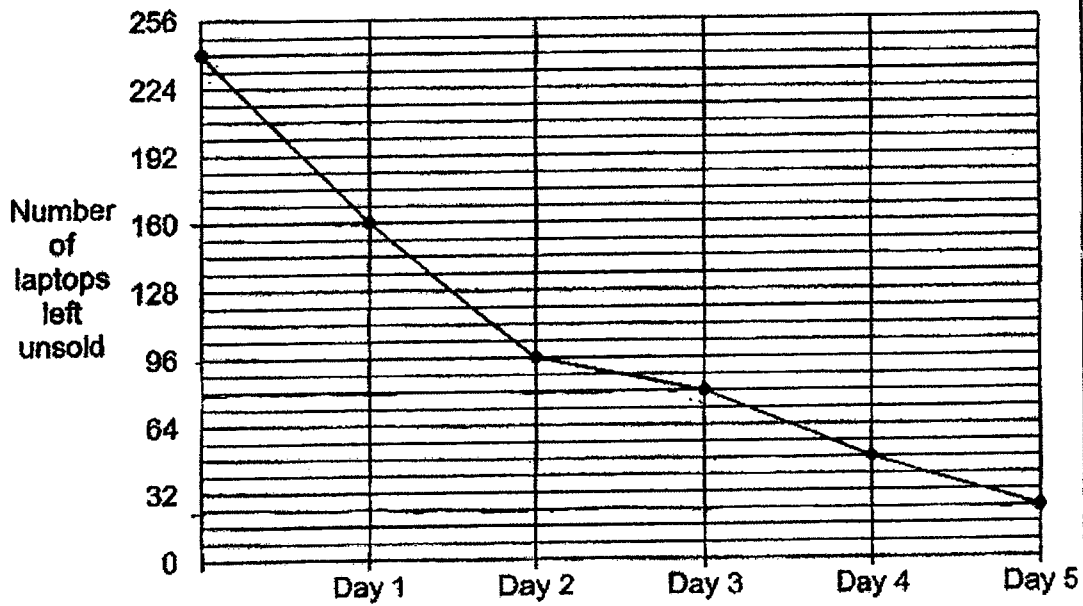
- 4 In the figure below, SVT is an isosceles triangle. $SV = VT$. Find $\angle TVS$.



Ans : _____ °

- 5 A shop offered 240 laptops during a 5-day sale. The line graph below shows the number of laptops left unsold at the end of each day.

Do not write in this space



(a) On which day was the least number of laptops sold?

(b) Find the difference in the number of laptops sold on Day 1 and Day 5.

Ans : (a) Day _____

(b) _____



For questions 6 to 17, show your working clearly and write your answers in the spaces provided. The number of marks available is shown in the brackets () at the end of each question or part-question. (45 marks)

Do not write in this space

- 6 Melvin and Jackson travelled from Town A to Town B. After Melvin travelled 32.5 km and Jackson travelled 40.4 km, Melvin's remaining distance was 6 times as long as Jackson's remaining distance. What was the distance between Town A and Town B? Give your answer in kilometres and metres.

Ans : _____ [3]

5

MARKS:

- 7 Benjamin has 3 different coloured sticks. $\frac{5}{8}$ of the sticks are green. $\frac{1}{6}$ of the remaining sticks are blue. There are 140 yellow sticks. How many sticks does he have altogether?

Do not
write
in this
space

Ans : _____ [3]

6

MARKS:

- 8 The table below shows the rate for printing postcards at a shop.

First 200 postcards	\$160
Every additional set of 5 postcards	\$3

Lynette printed 700 postcards. How much did she pay?

Do not
write
in this
space

Ans : _____ [3]

- 9 The table below shows the number of stamps that Karris has.

Singapore	Australia	England	Japan
84	18	33	?

Do not
write
in this
space

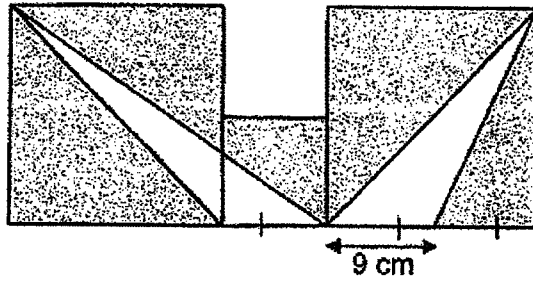
- (a) Find the ratio of the number of Singapore stamps to the total number of Australia and England stamps. Give your answer in its simplest form.
- (b) The ratio of the number of Singapore stamps to Japan stamps that Karris has is $4 : 9$. How many Japan stamps does she have?

Ans : (a) _____ [2]

(b) _____ [1]

- 10 The figure shows 2 identical big squares and a small square. Find the shaded area.

Do not write in this space



Ans : _____ [3]

9

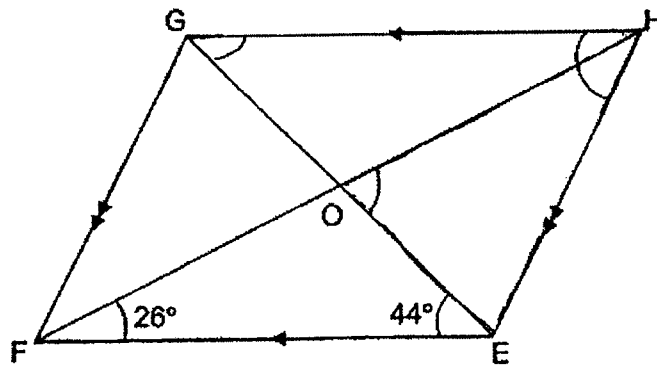
MARKS:



- 11 In the figure below, EFGH is a parallelogram. $\angle EFH = 26^\circ$, $\angle FGE = 74^\circ$ and $\angle GEF = 44^\circ$.

(a) Find $\angle HOE$.

(b) Find $\angle GHE$.



Do not
write
in this
space

Ans : (a) _____ [2]

(b) _____ [1]

10

MARKS:

- 12 Abdullah baked 276 cream tarts and 3 times as many fruit tarts as cream tarts. He gave away an equal number of cream tarts and fruit tarts. Then he had 4 times as many fruit tarts as cream tarts left. He sold all the rest of the cream tarts and fruit tarts at \$1.80 each. How much money did Abdullah collect after selling the tarts?

Do not
write
in this
space

Ans : _____ [4]

- 13 Hallmah bought 174 m of cloth to make some tote bags and blankets for a charity event. She used 205 cm of cloth to make a blanket. She made 48 such blankets and 40 such tote bags with the remaining cloth. How much more cloth was used to make each blanket than each tote bag?

Do not
write
in this
space


Ans : _____ [4]

12

MARKS:

- 14 The table below shows four different types of books borrowed in a reading club in October. The number of Chinese books borrowed was smeared by some ink.

Do not
write
in this
space

Type of books	Number of books borrowed
English	95
Chinese	
Malay	64
Indian	37
Total	320

- (a) What percentage of the books borrowed were Chinese books?
- (b) The average number of books borrowed in September and October was 253. How many books were borrowed in September?

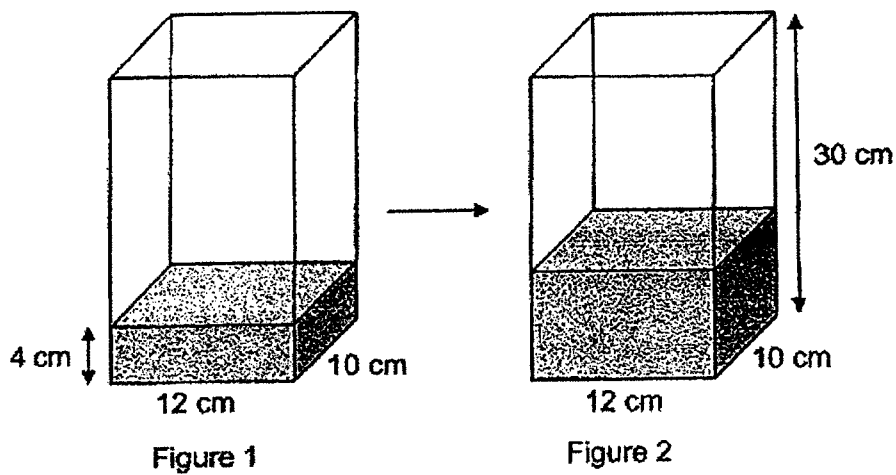
Ans : (a) _____ [2]

(b) _____ [2]

- 15 Figure 1 shows a rectangular tank measuring 12 cm by 10 cm by 30 cm. It is filled with water to a height of 4 cm as shown in Figure 1. Some water is then poured into the tank until it is $\frac{2}{5}$ filled with water as shown in Figure 2.

Do not write in this space

- (a) What was the volume of water poured into the tank?
- (b) Water then flowed from a tap into the tank at a rate of 1.6 litres per minute. How long did it take for the tank to be filled up completely? Give your answer in minutes.

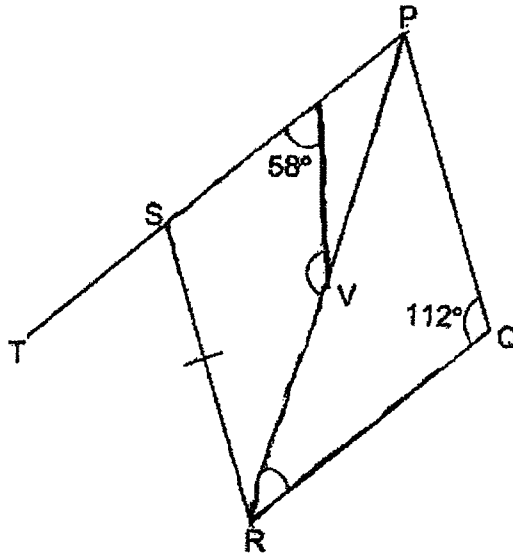


Ans : (a) _____ [3]

(b) _____ [2]



- 16 PQRS is a rhombus. PVR and PST are straight lines.



- (a) Find $\angle PRQ$.
- (b) Find $\angle UVR$.

Do not
write
in this
space

Ans: (a) _____ [2]

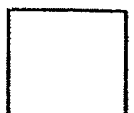
(b) _____ [2]

- (c) Circle the words that describe SUVR in the statement.

Line UV (is / is not) parallel to Line SR.

SUVR (is / is not) a trapezium.

[1]



- 17 Janice received a book as a present. On the first day, she read $\frac{1}{5}$ of the book. On the second day, she read 72 pages of the book. As a result, she read $\frac{2}{7}$ of the book.

Do not
write
in this
space

- (a) How many pages are there in the book?
- (b) Janice took another 5 days to complete reading the book. She read the same number of pages each day. How many pages did Janice read each day?

Ans : (a) _____ [3]

(b) _____ [2]

End of Paper

SCHOOL : CHIJ PRIMARY SCHOOL
 LEVEL : PRIMARY 5
 SUBJECT : MATHEMATICS
 TERM : 2022 SA2

PAPER 1 BOOKLET A

Q 1	Q2	Q3	Q4	Q5	Q6	Q7	Q8	Q9	Q10
2	2	3	2	3	4	2	4	3	4

Q 11	Q12	Q13	Q14	Q15
1	3	2	3	3

PAPER 1 BOOKLET B

Q16)	$(210 - 60 \div 3) - 9 \times 6$ $= (210 - 20) - 9 \times 6$ $= 190 - 9 \times 6$ $= 190 - 54 = 136$	
Q17)	$5 - \frac{7}{12} = 4 \frac{5}{12}$	
Q18)	$3200 \div 400 = 8$	
Q19)	$4 : 18$	
Q20)	$\$42$	
Q21)	$54 \div 9 = 6$ 1 unit = 6 $9 - 3 - 1 = 5$ $5 \times 6 = 30$	
Q22)	$3 \times 3 \times 8 = 72 \text{cm}^3$	
Q23)	$180^\circ - 155^\circ = 25^\circ$ $\angle CEF = 25^\circ + 90^\circ$ $= 115^\circ$	

Q24)	$\angle DCE = 180^\circ - 90^\circ - 56^\circ$ $= 34^\circ$ $\angle ACB = 180^\circ \div 3$ $= 60^\circ$ $\angle ACD = 60^\circ - 34^\circ$ $= 26^\circ$
Q25)	$\frac{1}{2} \times 12 \times 5 = 30$ $30 \times 2 = 60$ $60 - 18 = 42\text{cm}^2$
Q26)	$30 \times 9 = 270$ (9d+1free) $52 \div (9 + 1) = 5R2$ $5 \times 270 = 135^\circ$ $1350 + (30 \times 2) = \$1410$
Q27)	$40 - 30 = 10$ $10 \div 5 = 2$ $38 + 32 + 14 = 84$ $84 \div (4 - 1) = 28$
Q28)	$200 \div 100 = 2$ $16 \times 2 = 32$ $200 - 32 = 168$ $168 - 2.80 = 165.20$ $200 - 165.20 = \$34.80$
Q29)	$9.5 \div 2 = 4R1.5$ $1.5 - 1 = 0.5$ $4 + 1 + 1 = 6$
Q30)	$98 + 22 = 120$ $120 \div 40 = 3$ 1 notebook \rightarrow \$3 $98 - 17 = 81$ (Annabel spent) $81 \div 3 = 27$

PAPER 2

Q1)	$1080 - 98 = 982$ $982 \div 2 = 491$	
Q2)	$\frac{7}{100} \times 250 = 17.50$ (GST) $250 + 17.50 = \$267.50$	
Q3)	$5 + 5 + 3 = 13$ $5 \times 2 = 10$ $10 + 10 = 20$ $20 + (13 \times 2) = 46$ $46 + 5 + 5 = 56\text{cm}$	
Q4)	$180^\circ - 31^\circ - 31^\circ = 118^\circ$ $360^\circ - 118^\circ = 242^\circ$	
Q5)	a) $240 - 160 = 80$ (day 1) $160 - 96 = 64$ (day 2) $64 + 8 + 8 = 80$ $96 - 80 = 16$ (day 3) $32 + 8 + 8 = 48$ $80 - 48 = 32$ (day 4) $32 - 8 = 24$ $48 - 24 = 24$ (day 5) Ans : Day 3 b) $80 - 24 = 56$	
Q6)	$40.4 - 32.5 = 7.9$ $7.9 \div (6 - 1) = 1.58$ $1.58 + 40.4 = 41.98$ $41.98\text{km} = 41\text{km}980\text{m}$	
Q7)	$6 - 1 = 5$ $140 \div 5 = 28$ 1 unit = 28 $8 \times 2 = 16$ $28 \times 16 = 448$	

Q8)	$700 - 200 = 500$ $500 \div 5 = 100$ $100 \times 3 = 300$ $300 + 160 = \$460$
Q9)	<p>a) $33 + 18 = 51$ $S : A\&E$ $84 : 51$ $28 : 17$</p> <p>b) $S : J$ $4 : 9$ $84 \div 4 = 21$ $21 \times 9 = 189$</p>
Q10)	$18 \times 9 \times \frac{1}{2} = 81$ $81 \times 2 = 162$ (Area of non - shaded triangles) $9 \times 2 = 18$ $(18 \times 18) \times 2 = 648$ $648 + (9 \times 9) = 729$ $729 - 162 = 567 \text{ cm}^2$
Q11)	<p>a) $\angle FOE = 180^\circ - 26^\circ - 44^\circ$ $= 110^\circ$ $\angle HOE = 180^\circ - 110^\circ$ $= 70^\circ$</p> <p>b) $180^\circ - (74^\circ + 44^\circ) = 62^\circ$</p>
Q12)	$276 \times 3 = 828$ $828 - 276 = 552$ $4 - 1 = 3$ $552 \div 3 = 184$ $4 + 1 = 5$ $184 \times 5 = 920$ $920 \times 1.80 = \$1656$
Q13)	$174\text{m} = 17400\text{cm}$ $17400 - 205 = 17195$ $48 \times 205 = 9840$

	$17195 - 9840 = 7355$ $7355 \div 40 = 183.875$ $205 - 183.875 = 21.125\text{cm}$
Q14)	<p>a) $320 - 37 - 64 - 95 = 124$ $\frac{124}{320} \times 100 = 38.75\%$</p> <p>b) $253 \times 2 = 506$ $506 - 320 = 186$</p>
Q15)	<p>a) $12 \times 10 \times 4 = 480$ $30 \div 5 = 6$ $6 \times 2 = 12$ $12 \times 10 \times 12 = 1440$ $1440 - 480 = 960\text{ml}$</p> <p>b) $12 \times 10 \times 30 = 3600$ $3600\text{ml} = 3.6\ell$ $1440\text{ml} = 1.44\ell$ $3.6 - 1.44 = 2.16$ $2.16 \div 1.6 = 1.35\text{min}$</p>
Q16)	<p>a) $\angle PRQ = (180^\circ - 112^\circ) \div 2$ $= 34^\circ$</p> <p>b) $112^\circ + 58^\circ + 34^\circ = 204^\circ$ $360^\circ - 204^\circ = 156^\circ$</p>
Q17)	<p>a) $\frac{1}{5} = \frac{7}{35}$ $\frac{2}{7} = \frac{10}{35}$ $\frac{10}{35} - \frac{7}{35} = \frac{3}{35}$</p> <p>$72 \div 3 = 24$ $24 \times 35 = 840$</p> <p>b) $(840 \div 7) \times 2$ $840 - 240 = 600$ $600 \div 5 = 120$</p>

