



2022 PRIMARY 5 END-OF-YEAR EXAMINATION

Name: _____ () Date: 27 October 2022

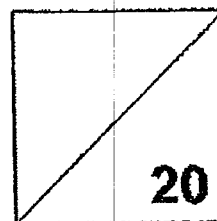
Class: Primary 5 ()

Time: 8.00 a.m. - 9.00 a.m.

Parent's Signature: _____

Paper 1 comprises 2 booklets, A and B.

MATHEMATICS PAPER 1 (BOOKLET A)



INSTRUCTIONS TO CANDIDATES

1. Write your name, class and register number.
2. Do not turn over this page until you are told to do so.
3. Follow all instructions carefully.
4. Answer all questions.
5. Shade your answers in the Optical Answer Sheet (OAS) provided.
6. You are not allowed to use a calculator.

Questions 1 to 10 carry 1 mark each. Questions 11 to 15 carry 2 marks each.
For each question, four options are given. One of them is the correct answer.
Make your choice (1, 2, 3 or 4).

Shade the oval (1, 2, 3 or 4) on the Optical Answer Sheet.

[20 marks]

1. $7\,000\,000 + 80\,000 + 300 + 2 =$ _____

- (1) 7 832 000
- (2) 7 800 302
- (3) 7 080 320
- (4) 7 080 302

2. How many sevenths are there in $5\frac{6}{7}$?

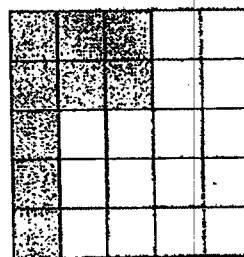
- (1) 72
- (2) 41
- (3) 35
- (4) 11

3. Round 18.455 to 1 decimal place.

- (1) 18.0
- (2) 18.4
- (3) 18.5
- (4) 18.6

4. The figure is divided into 25 equal parts. What percentage of the figure is shaded?

- (1) 9%
 (2) 16%
 (3) 36%
 (4) 64%

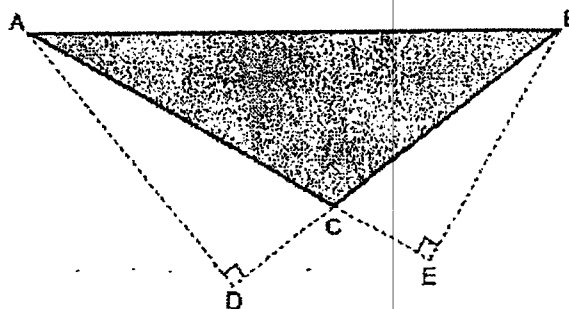


5. How many minutes are there in 9 h 15 min?

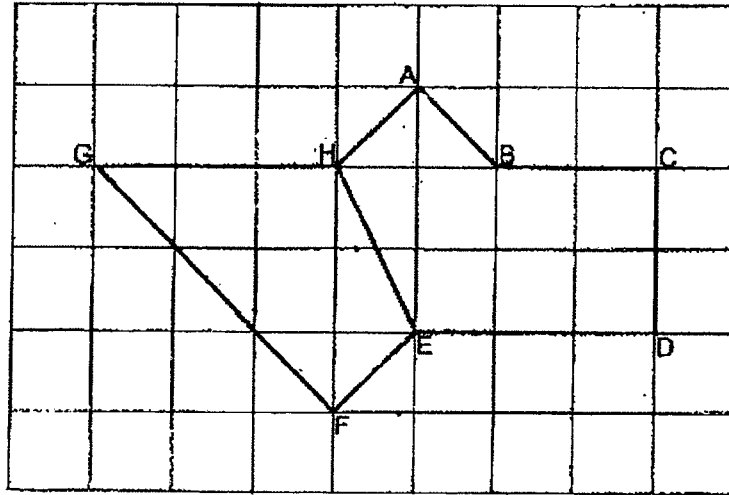
- (1) 465
 (2) 540
 (3) 555
 (4) 915

6. Which pair of lines shows the base and height for triangle ABC?

- | | <u>Base</u> | <u>Height</u> |
|-----|-------------|---------------|
| (1) | BC | AC |
| (2) | BC | AD |
| (3) | BD | AD |
| (4) | CE | BE |



7. Which line in the square grid is parallel to AB?



- (1) AH
 (2) BC
 (3) EH
 (4) FG
8. Mrs Bala bought some fruits and vegetables from the market.
 The mass of the fruits was $2\frac{7}{8}$ kg. The fruits were $1\frac{1}{4}$ kg heavier than the vegetables. What was the mass of the vegetables?

- (1) $1\frac{5}{8}$ kg
 (2) $2\frac{1}{2}$ kg
 (3) $4\frac{1}{8}$ kg
 (4) $4\frac{1}{2}$ kg

9. Imran earns \$4000 a month. He saves 30% of his salary and spends the rest.
How much does he spend in a month?

- (1) \$120
- (2) \$280
- (3) \$1200
- (4) \$2800

10. The table shows the number of plates of chicken rice and egg noodles Auntie Cheng sold at a school canteen in a week.

On which day did she sell 25 more plates of chicken rice than egg noodles?

Day	Number of plates of chicken rice	Number of plates of egg noodles
Monday	69	44
Tuesday	70	40
Wednesday	47	72
Thursday	51	66
Friday	65	50

- (1) Friday
- (2) Monday
- (3) Thursday
- (4) Wednesday

11. $(5 \times 7 - 3) - (12 + 8 \div 4) = \underline{\hspace{2cm}}$

- (1) 15
- (2) 18
- (3) 22
- (4) 27

12. $75.038 = 75 + \frac{3}{A} + \frac{1}{B}$

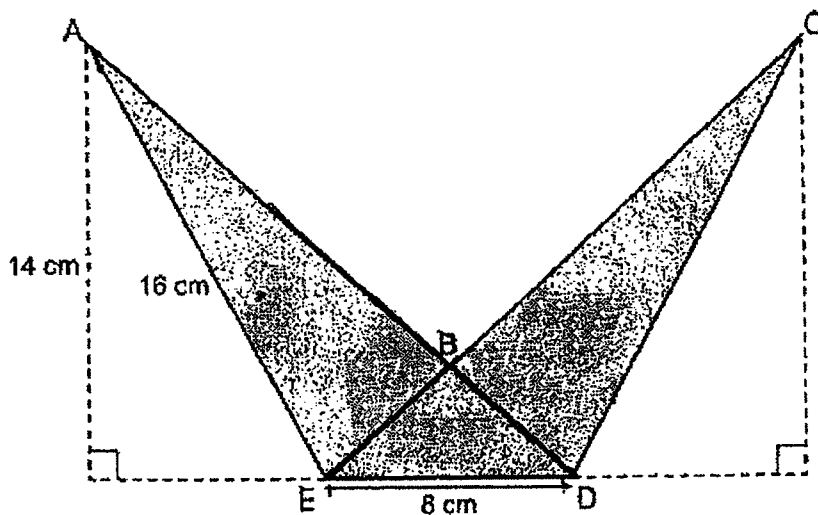
What are the values of A and B?

- | | <u>A</u> | <u>B</u> |
|-----|----------|----------|
| (1) | 10 | 125 |
| (2) | 10 | 1000 |
| (3) | 100 | 125 |
| (4) | 100 | 1000 |

13. There are 16 girls in a class. There are 4 more boys than girls. What is the ratio of the number of boys to the total number of students in the class?

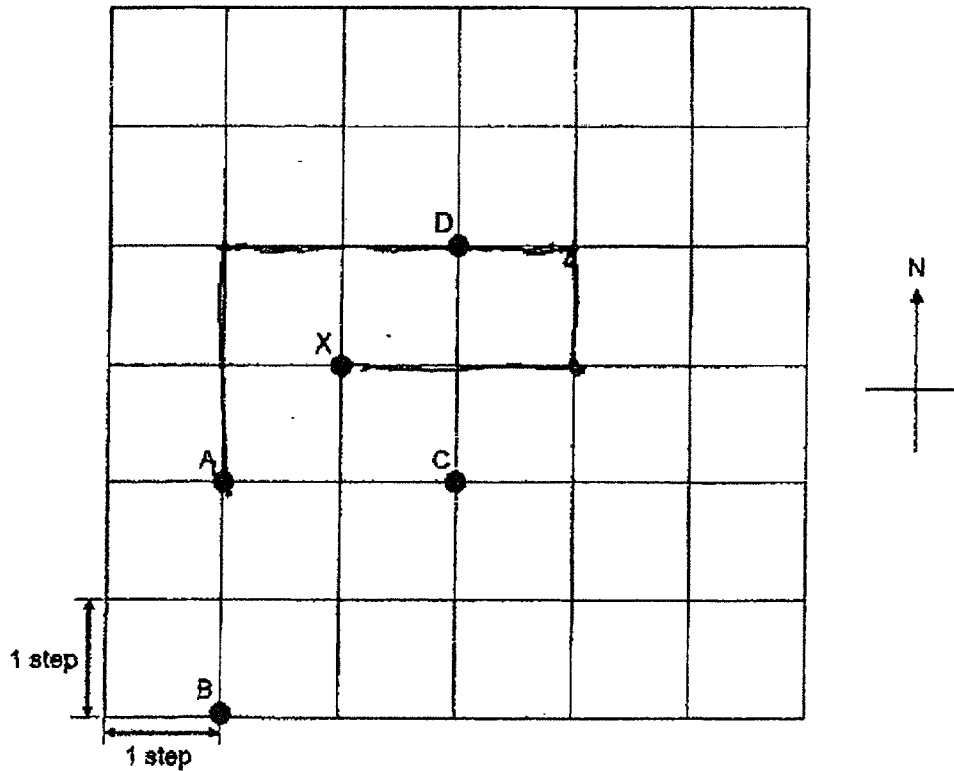
- (1) 4 : 5
- (2) 5 : 4
- (3) 5 : 9
- (4) 9 : 5

14. In the figure below, ADE and CDE are identical triangles that overlap partially. The length of AE is 16 cm and the area of triangle BDE is 15 cm². Find the area of the whole figure.



- (1) 82 cm²
 (2) 97 cm²
 (3) 112 cm²
 (4) 113 cm²

15. Study the diagram below and answer the following question.



Peggy was at a certain position. She walked 2 steps due north, 3 steps due east, 1 step due south and then 2 steps due west. She ended at Position X. What was her starting position?

- (1) A
- (2) B
- (3) C
- (4) D

End of Booklet A

Go on to Booklet B



2022 PRIMARY 5 END-OF-YEAR EXAMINATION

Name: _____ () Date: 27 October 2022

Class: Primary 5 ()

Time: 8.00 a.m. - 9.00 a.m.

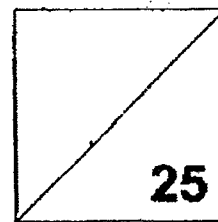
Parent's Signature: _____

Paper 1 comprises 2 booklets, A and B.

MATHEMATICS

PAPER 1

(BOOKLET B)



INSTRUCTIONS TO CANDIDATES

1. Write your name, class and register number.
2. Do not turn over this page until you are told to do so.
3. Follow all instructions carefully.
4. Answer all questions.
5. Write your answers in this booklet.
6. You are **not** allowed to use a calculator.

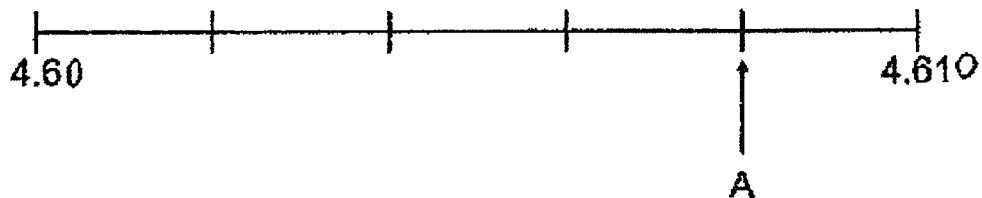
Questions 16 to 20 carry 1 mark each. Write your answers in the spaces provided.
For questions which require units, give your answers in the units stated. [5 marks]

16. Find the value of $42 \div 8$

Give your answer as a *mixed number* in the *simplest form*.

Ans: _____

17. In the number line, what is the decimal represented by A?



Ans: _____

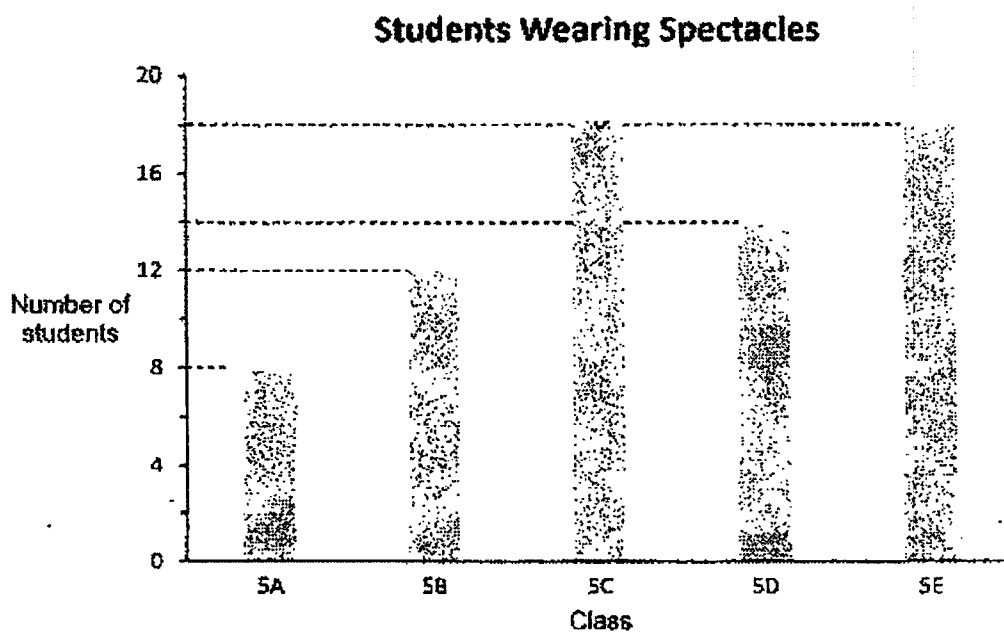
18. Express 30.07 km in metres.

Ans: _____ m

19. How many degrees are there in a $\frac{1}{4}$ -turn?

Ans: _____

20. The bar graph shows the number of Primary 5 students in each class wearing spectacles.



How many students in class 5D wear spectacles?

Ans: _____

Questions 21 to 30 carry 2 marks each. Show your working clearly in the space provided for each question and write your answers in the spaces provided. For questions which require units, give your answers in the units stated. (20 marks)

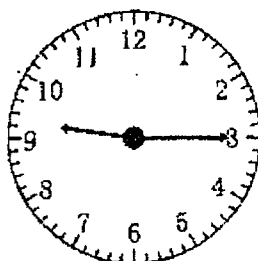
21. Uncle George has 30 red pens, 45 green pens and 120 blue pens at his stationery shop. Find the ratio of the number of green pens to the number of red pens to the number of blue pens. Give your answer in its *simplest form*.

Ans: _____

22. In a survey of 60 students, it was found that 39 of them do not own mobile phones. What percentage of the students own mobile phones?

Ans: _____ %

23. Jing Lin watched a movie last night at the time shown on the clock below. The duration of the movie was 2 hours 15 minutes. Write down the time the movie ended using the **24-hour clock**.

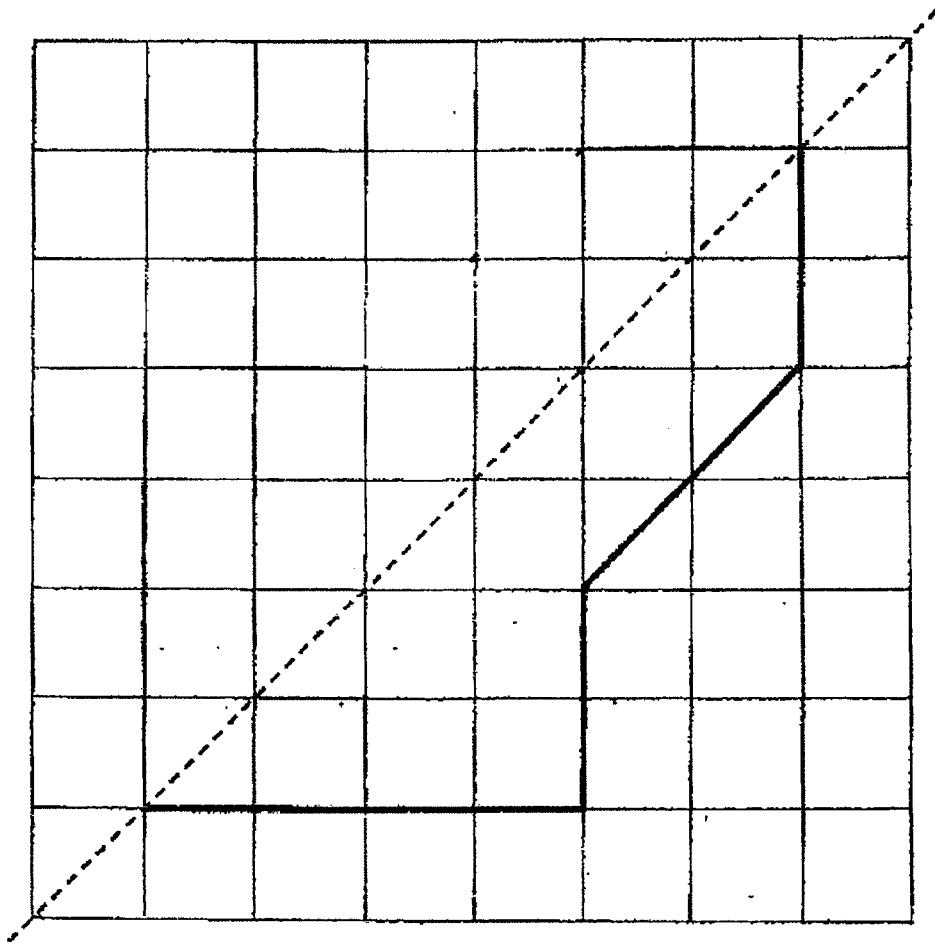


Ans: _____

24. A rectangular tank measuring 30 cm by 40 cm by 70 cm was completely filled with milk. Find the volume of milk. Give your answer in *litres*.

Ans: _____ ℓ

25. Complete the symmetric figure with the dotted line as the line of symmetry.



26. A photocopy machine prints 162 pages in 6 minutes.
How many pages does the machine print in 10 minutes?

Ans: _____

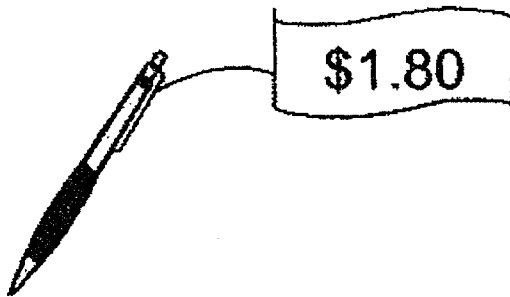
27. The total cost of 2 chairs and 1 table is \$210. The total cost of 1 chair and 2 tables is \$285. What is the cost of 1 chair?

Ans: \$ _____

28. Cindy was given $\frac{9}{10}$ h to work on a task. She took $\frac{2}{3}$ of the given time to complete the task. How much time had she left?

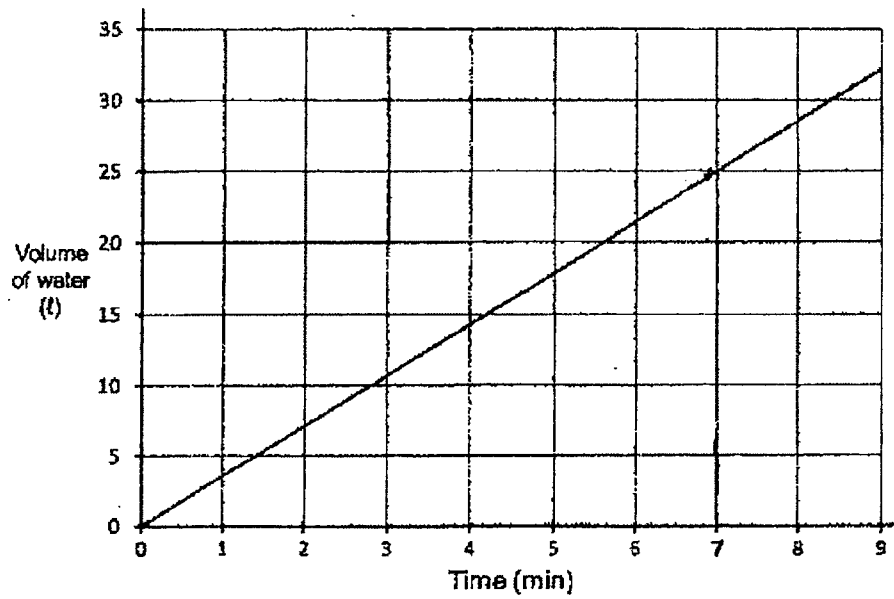
Ans: _____ h

29. The cost of a pen is \$1.80. Siti buys 40 such pens and gives the cashier \$100. How much change does Siti get?



Ans: \$ _____

30. The graph shows the volume of water that flows from a tap.



At this rate, how many litres of water will flow from the tap in 35 minutes?

Ans: _____ l

End of Booklet B

End of Paper 1



2022 PRIMARY 5 END-OF-YEAR EXAMINATION

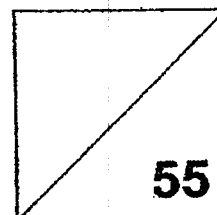
Name: _____ () Date: 27 October 2022

Class: Primary 5 ()

Time: 10.30 a.m. - 12.00 noon

Parent's Signature: _____

MATHEMATICS PAPER 2



INSTRUCTIONS TO CANDIDATES

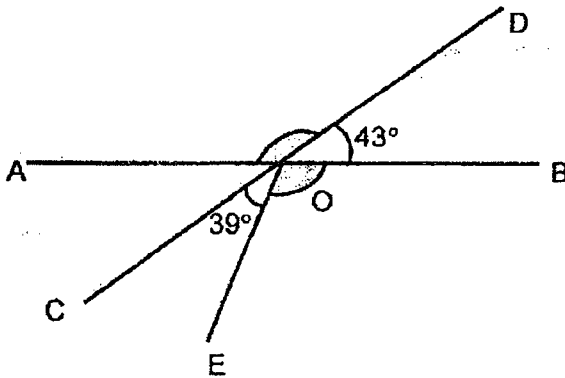
1. Write your name, class and register number.
2. Do not turn over this page until you are told to do so.
3. Follow all instructions carefully.
4. Answer all questions.
5. Show your working clearly as marks are awarded for correct working.
6. You are allowed to use a calculator.

Questions 1 to 5 carry 2 marks each. Show your working clearly in the space provided for each question and write your answers in the spaces provided. For questions which require units, give your answers in the units stated. (10 marks)

1. Ben is thrice as heavy as his sister. Ben is 57.6 kg. Find their difference in mass.

Ans: _____ kg

2. AB and CD are straight lines. Find the sum of $\angle AOD$ and $\angle BOE$.



Ans: _____

3. For every 5 pens that Mrs Lee buys, she gets 1 free. If she needs 80 pens, what is the least number of pens she has to buy?

Ans: _____

4. Ryan took 2min 3s to finish running a race. Iris was slower than Ryan by 33s. How much time did Iris take to finish running the race?

Ans: _____ min _____ s

5. Mr Singh bought an equal number of apples and oranges. After he gave away 29 oranges and bought another 10 apples, he had $\frac{1}{4}$ as many oranges as apples. How many oranges did he have at first?

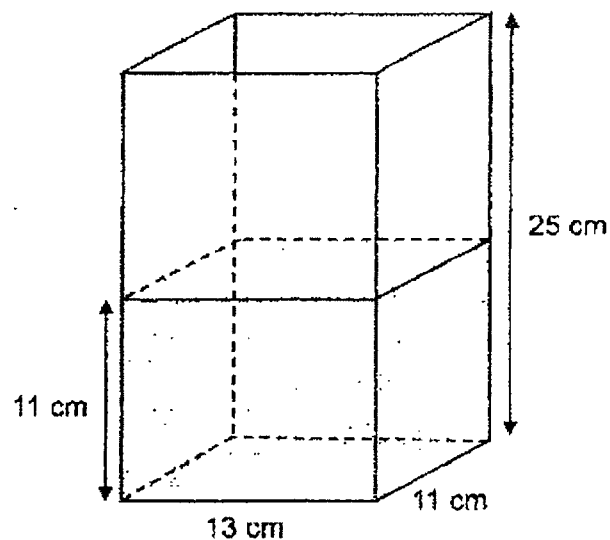
Ans: _____

For questions 6 to 17, show your working clearly in the space provided for each question and write your answers in the spaces provided.
The number of marks available is shown in brackets [] at the end of each question or part-question. [45 marks]

6. Minah had 30 m of string. She gave 2.7 m of the string to each of her 4 friends and used the rest to wrap some presents for a birthday party. 75 cm of string was needed for each present. Find the maximum number of presents she could wrap.

Ans: _____ [3]

7. A tank was filled with water up to a height of 11 cm at first. Some water was added and the new water level was 80% of the height of the tank. How much water was added to it? Give your answer in litres.



Ans: _____ [3]

8. There are 2200 students in a school. 45% of them are girls. 10% of the boys do not have any siblings. How many boys do not have any siblings?

Ans: _____ [3]

9. Billy took up a part-time job and was paid by the rates as shown in the table.

Days	Rate
Monday to Friday	\$8 per hour
Saturday and Sunday	\$9.50 per hour

Billy worked 7 hours each day on some weekdays and 5 hours on a Saturday. He was paid \$271.50 altogether. How many weekdays did he work?

Ans: _____ [3]

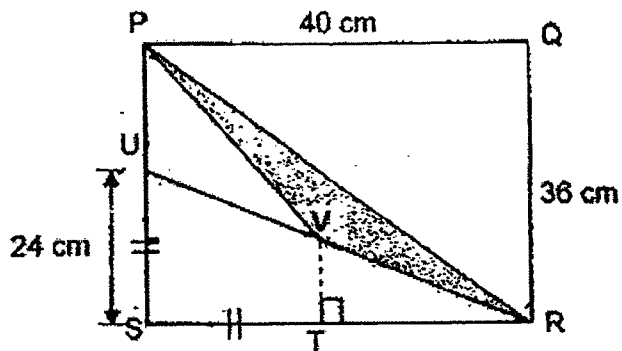
10. Mrs Lim prepared 30 chicken wings and 45 nuggets for her students.
- a) If every student took the same amount of each type of food without any leftover, what was the maximum number of students in her class?

Ans: a) _____ [2]

- b) With the maximum number of students in her class, how many nuggets could each student take?

Ans: b) _____ [1]

11. PQRS is a rectangle of length 40 cm and breadth 36 cm.
PR and UVR are straight lines and $ST = SU = 24$ cm.



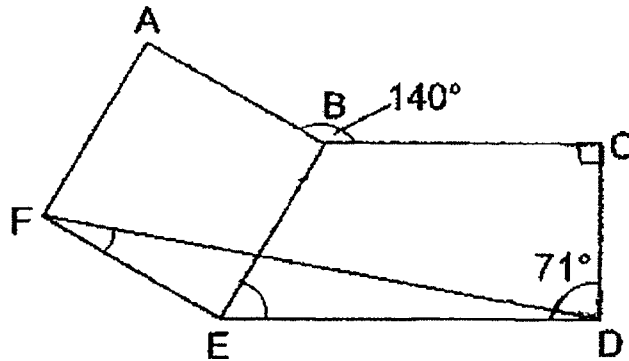
- a) Find the area of Triangle PRS.

Ans: a) _____ [1]

- b) Find the shaded area.

Ans: b) _____ [3]

12. In the figure, ABEF is a square, BCDE is a trapezium and FD is a straight line.
 $\angle ABC = 140^\circ$ and $\angle CDF = 71^\circ$



- a) Find $\angle BED$.

Ans: a) $\angle BED =$ _____ [2]

- b) Find $\angle EFD$.

Ans: b) $\angle EFD =$ _____ [2]

13. The table below shows the movie schedule at a cinema.

SCREENING NOW				
Movie Show	Start Time			Duration
Marvel	2.45p.m.	3.10p.m.	3.45p.m.	1h 25 min
Diary of Minions	3.00p.m.	6.00p.m.	8.00p.m.	2h 30 min
Queen	12.10p.m.	3.15p.m.	7.00p.m.	1h 32 min
Kung Fu Kid	3.05p.m.	6.00p.m.	9.05p.m.	2h

Henry arranged to meet his friend at 2.40 p.m. to watch a movie together. However, his friend was 15 minutes late. Henry arrived at the ticketing counter on time. His father would pick him up 2 hours later, at the mall where the cinema was.

- a) (i) Which movie could Henry and his friend watch from start to end?
 (ii) What was the start and end time of the movie?

Ans: a) (i) _____ [1]

(ii) Start time: _____ [1]

End time: _____ [1]

- b) His father would have to wait for at least another 25 minutes if he had chosen this movie. Which movie was it?

Ans: b) _____ [1]

14. At a friendly match, 150 spectators were adults and $\frac{1}{3}$ of the children were boys.

(a) Given that $\frac{1}{4}$ of the spectators were girls, how many boys were there?

Ans: a) _____ [3]

(b) How many spectators were at the match altogether?

Ans: b) _____ [1]

15. There were 28 students in a class.
The average class score for a quiz was 78 marks.
One of the student's score was wrongly recorded as 43 marks.
The correct average score should be 79.5 marks.
What was the actual score of the student?

Ans: _____ [4]

16. Yasmin uses circles and triangles to form figures that follow a pattern as shown.

Pattern 1	Pattern 2	Pattern 3	Pattern 4	Pattern 5
○	○ ▲ ○ ○	○ ▲ ▲ ○ ▲ ▲ ○ ○ ○	○ ▲ ▲ ▲ ○ ▲ ▲ ▲ ○ ▲ ▲ ▲ ○ ○ ○ ○	

(a) Draw Pattern 5 to complete the table. [1]

(b) Which pattern has 100 triangles?

Ans: b) Pattern _____ [1]

(c) Find the total number of circles and triangles in Pattern 20.

Ans: c) _____ [1]

(d) Each of the statements is either *true*, *false* or *not possible to tell* from the information given. For each statement, put a tick (✓) to indicate your answer.

Statement	True	False	Not possible to tell
(i) The ratio of the number of circles in Pattern 25 to the number of circles in Pattern 32 is 9 : 7.			
(ii) The ratio of the number of circles to the number of triangles in Pattern 100 is 199 : 9801.			

[2]

17. During an overseas vacation, Rita and Sarah had the same amount of allowance. Each day, Rita spent \$4 and Sarah spent \$6. At the end of the vacation, Sarah had \$12 left, while Rita had 4 times as much money as Sarah.

(a) How many days did the vacation last?

Ans: a) _____ [3]

(b) How much was each girl's allowance at first?

Ans: b) _____ [2]

End of Paper 2

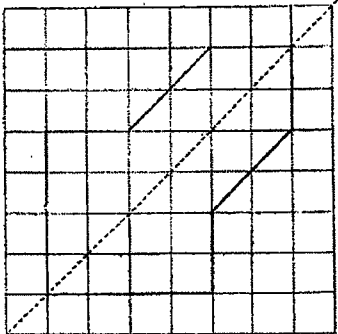
SCHOOL : TAO NAN PRIMARY SCHOOL
 LEVEL : PRIMARY 5
 SUBJECT : MATH
 TERM : 2022 SA2

PAPER 1 BOOKLET A

Q1	Q2	Q3	Q4	Q5	Q6	Q7	Q8	Q9	Q10
4	2	3	3	3	2	4	1	4	2

Q11	Q12	Q13	Q14	Q15
2	3	3	2	1

PAPER 1 BOOKLET B

Q16)	$42 \div 8 = 5\frac{1}{4}$	
Q17)	4.608	
Q18)	30070m	
Q19)	$360^\circ \times \frac{1}{4} = 90^\circ$	
Q20)	14	
Q21)	G : R : B 3 : 2 : 8	
Q22)	$60 - 39 = 21$ $\frac{21}{60} = \frac{7}{20} = \frac{35}{100} = 35\%$	
Q23)	23 30	
Q24)	$30 \times 40 \times 70 = 84,000$ $84,000\text{ml} = 84 \text{ L}$ Answer: 84L	
Q25)		

<p>Q26) 6 min \rightarrow 162 pages 2 min \rightarrow 54 pages 10 min \rightarrow $54 \times 5 = 270$ pages</p>
<p>Q27) $2C + 1T = 210$ $1C + 2T = 285$ $1T = 210 - 2C$ $1C + 2(210 - 2C) = 285$ $-3C + 410 = 285$ $410 - 285 = 3C$ $1C = \\$45$</p>
<p>Q28) $60 \text{ min} \times \frac{9}{10} = 54 \text{ min}$ $1 - \frac{2}{3} = \frac{1}{3}$ $54 \text{ min} \times \frac{1}{3} = 18 \text{ min}$ Ans: $\frac{18}{60} = \frac{3}{10}$</p>
<p>Q29) $1.8 \times 40 = 72$ $100 - 72 = 28$ Ans: \$28</p>
<p>Q30) 7 min \rightarrow 25L 35min \rightarrow $25L \times 5 = 125L$</p>

PAPER 2

<p>Q1) 3 u \rightarrow 57.6kg 1 u \rightarrow 19.2kg 2u \rightarrow 38.4kg Ans: 38.4kg</p>
<p>Q2) $360^\circ - 43^\circ - 43^\circ - 39^\circ = 235^\circ$</p>
<p>Q3) $5 + 1 = 6$ $80 * 6 = 13R2$ $5 \times 13 + 2 = 67$</p>
<p>Q4) 2 min 36 s</p>
<p>Q5) 3 u \rightarrow $10 + 29 = 39$ 1 u \rightarrow $39 * 3 = 13$ $13 + 29 = 42$ Ans: 42</p>
<p>Q6) $2.7 \times 4 = 10.8$</p>

	$30 - 10.8 = 19.2$ $19.2\text{m} = 1920 \text{ cm}$ $1920 * 75 = 25R4$ Ans: 25	
Q7)	$25 \times \frac{4}{5} = 20$ $13 \times 11 \times 11 = 1573$ $13 \times 11 \times 20 = 2860$ $2860 - 1573 = 1287$ $1287\text{ml} = 1.287\text{L}$ Ans: 1.287L	
Q8)	$\% \text{ number of boys} = 100\% - 45\% = 55\%$ $\text{No. of boys} = 2200 \times 55\% = 1210$ $\text{No. of boys(no siblings)} = 1210 \times 10\% = 121$	
Q9)	$\text{Saturday} \rightarrow \$9.50 \times 5 = \$47.50$ $\$271.50 - \$47.50 = \$224$ $\text{One weekday} \rightarrow \$8 \times 7 = \$56$ $\text{No. of weekdays} \rightarrow \$224 \div \$56 = 4$ Ans: 4	
Q10)	a) $\text{Common factors of 30 and 45: } 1, 3, 4 \text{ and } 15$ $\text{Highest common factor: } 15$ Ans: 15 b) $45 \div 5 = 3$ Ans: 3	
Q11)	(a) $\text{Area} = \frac{1}{2} \times 40 \times 36 = 720$ Ans: 720 cm² (b) $36 - 24 = 12$ $\frac{1}{2} \times 12 \times 24 = 144$ $\frac{1}{2} \times 24 \times 40 = 480$ $\text{Shaded area} = 720 - 144 - 480$ $= 96 \text{ cm}^2$	
Q12)	(a) $360^\circ - 140^\circ - 90^\circ = 130^\circ$ $180^\circ - 130^\circ = 50^\circ$ (b) $90^\circ - 71^\circ = 19^\circ$ $50^\circ - 90^\circ = 140^\circ$ $180^\circ - 140^\circ - 19^\circ = 21^\circ$	

Q13)	<p>a) (i) Marvel (ii) 3.10pm (iii) 4.35pm</p> <p>b) Kung Fu Kid</p>
Q14)	<p>a) Girls $\rightarrow 2/8$ Boys $\rightarrow 1/8$ Adults $\rightarrow 5/8$ $1/8 \text{ u} \rightarrow 150 * 5 = 30$ There were 30 boys</p> <p>b) $30 \times 8 = 240$</p>
Q15)	<p>$28 \times 78 = 2184$ $79.5 \times 28 = 2226$ $2226 - 2184 = 42$ $43 + 42 = 85$ (Ans)</p>
Q16)	<p>(a) $\bigcirc \blacktriangle \blacktriangle \blacktriangle \blacktriangle$ $\bigcirc \blacktriangle \blacktriangle \blacktriangle \blacktriangle$ $\bigcirc \blacktriangle \blacktriangle \blacktriangle \blacktriangle$ $\bigcirc \blacktriangle \blacktriangle \blacktriangle \blacktriangle$ $\bigcirc \bigcirc \bigcirc \bigcirc \bigcirc$</p> <p>(b) Number of triangles in pattern = (Pattern number - 1) x (Pattern number - 1) $100 = (11 - 1) \times (11 - 1)$ Therefore pattern 11 has 100 triangles</p> <p>(c) $20 - 1 = 19$ $19 \times 19 = 361$ $1 + 2 \times 19 = 39$ $361 + 39 = 400$ Ans: 400</p> <p>(d)(i) False (ii) True</p>
Q17)	<p>a) $\\$6 - \\$4 = \\$2$ Rita $\rightarrow \\$12 \times 4 = \\48 Difference $\rightarrow \\$48 - \\$12 = \\$36$ $\\$36 * \\$2 = 18$ Ans: 18 days</p> <p>b) $48 + 72 = \\$120$</p>