



ROSYTH SCHOOL
2018 SEMESTRAL ASSESSMENT 1
MATHEMATICS
PAPER 1
PRIMARY 5

Name: _____

Register No. _____

Class: Pr 5 - _____

Date: 8 May 2018

Parent's Signature: _____

Total Time for Booklets A and B : 1 hour

Booklet A

Instructions to Pupils:

1. Do not open this booklet until you are told to do so.
2. Follow all instructions carefully.
3. Shade your answers in the Optical Answer Sheet (OAS) provided.
4. You are not allowed to use a calculator.
5. Answer all questions.

Section	Maximum Mark	Marks Obtained
Paper 1 (Booklet A)	20	

* This booklet consists of 7 pages (including this cover page)

Questions 1 to 10 carry 1 mark each. Questions 11 to 15 carry 2 marks each.
For each question, four options are given. One of them is the correct answer.
Make your choice (1, 2, 3 or 4). Shade the oval (1, 2, 3 or 4) on the Optical Answer Sheet.

All diagrams in this paper are not drawn to scale unless stated otherwise.

(20 marks)

-
1. Which of the following numbers is five million, one hundred and twenty thousand and eight?
- (1) 5 000 128
 - (2) 5 012 008
 - (3) 5 120 080
 - (4) 5 120 008
2. Mr Tan paid \$87 000 for his brand new car when rounded off to the nearest thousand. Which of the following could be the actual price of the car?
- (1) \$86 200
 - (2) \$86 450
 - (3) \$87 300
 - (4) \$87 550
3. Which of the following numbers are common factors of 16 and 24?
- (1) 2 and 3
 - (2) 4 and 6
 - (3) 4 and 8
 - (4) 8 and 12
4. $3\,709\,521 = 3\,000\,000 + \underline{\hspace{2cm}} + 9000 + 500 + 20 + 1$
- What is the missing number in the blank?
- (1) 700
 - (2) 7000
 - (3) 70 000
 - (4) 700 000

5. Express 6 kg 40g in kg.

- (1) 6.004 kg
- (2) 6.040 kg
- (3) 6.400 kg
- (4) 6.440 kg

6. What is the value of 3 tens, 2 tenths and 5 thousandths?

- (1) 3.205
- (2) 30.205
- (3) 30.25
- (4) 50.205

7. Which of the following fractions is the largest?

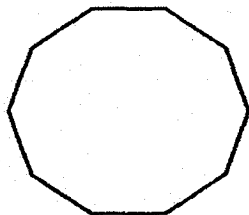
- (1) $\frac{4}{5}$
- (2) $\frac{4}{7}$
- (3) $\frac{4}{9}$
- (4) $\frac{4}{11}$

8. Which one of the following does not have the same value as $\frac{3}{5}$?

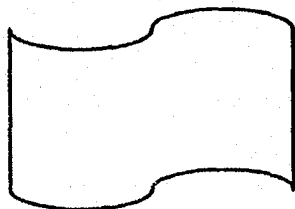
- (1) $5 \div 3$
- (2) $15 \div 25$
- (3) $\frac{12}{20}$
- (4) 0.6

9. Which one of the following shapes does not have a line of symmetry?

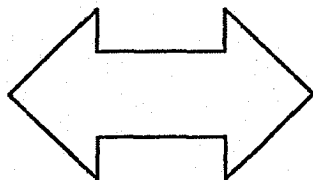
(1)



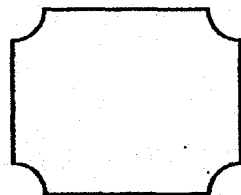
(2)



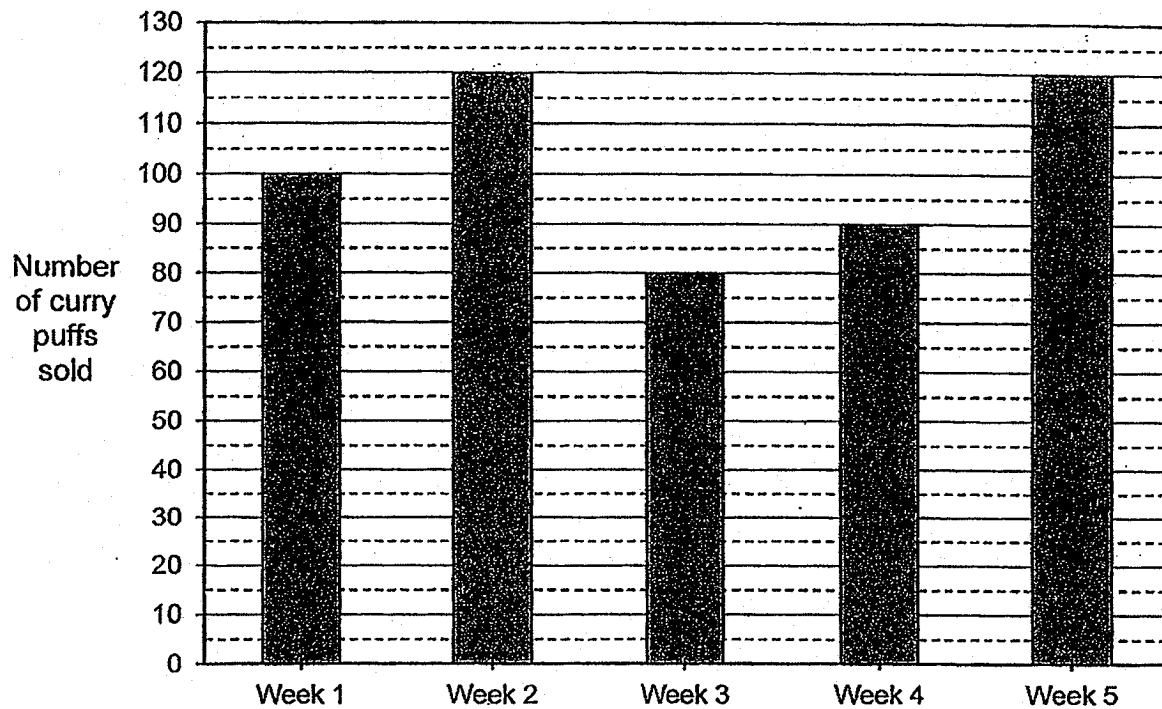
(3)



(4)



10. The graph below shows the number of curry puffs sold in a canteen stall during a period of 5 weeks.



Between which two weeks was there the greatest increase in the number of curry puffs sold?

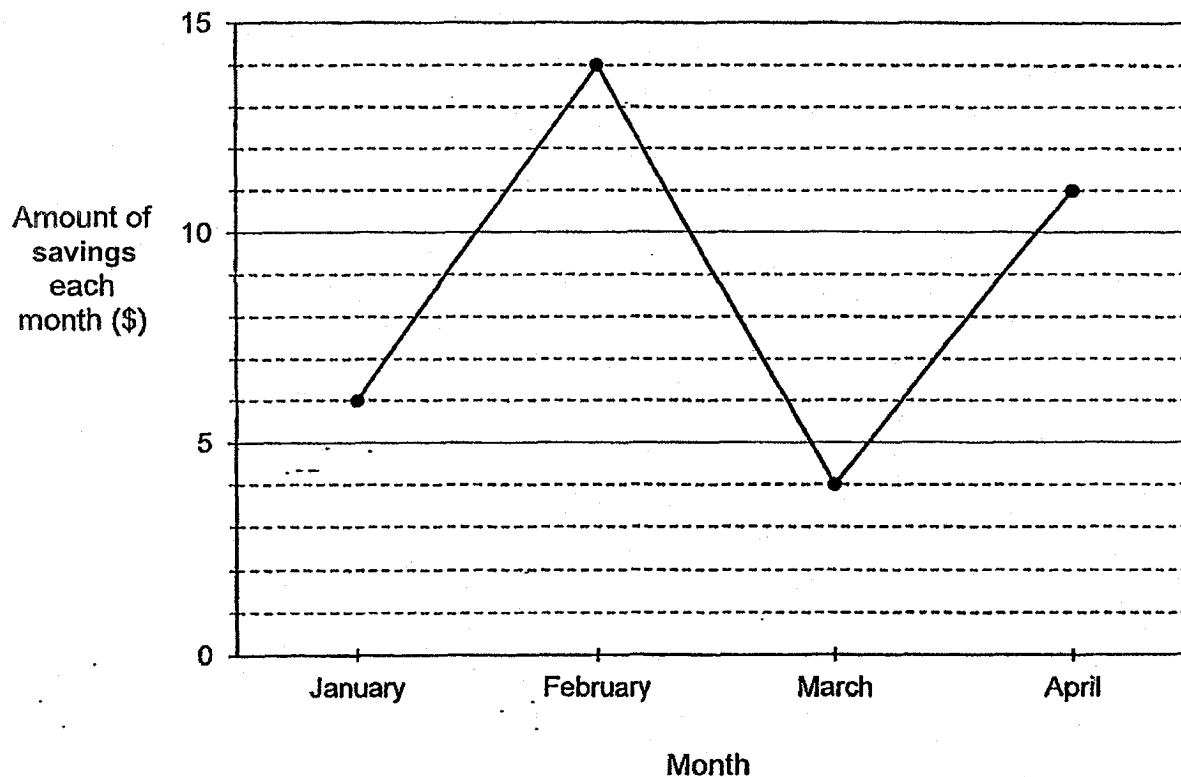
- (1) Week 1 to Week 2
- (2) Week 2 to Week 3
- (3) Week 3 to Week 4
- (4) Week 4 to Week 5

11. Mary bought a ribbon which is 12 m long. She cut the ribbon and used it to wrap some parcels. She was left with $2\frac{1}{4}$ m of the ribbon. What was the length of the ribbon she used?
- (1) $9\frac{1}{4}$ m
(2) $9\frac{3}{4}$ m
(3) $10\frac{1}{4}$ m
(4) $10\frac{3}{4}$ m
12. Kenny has 49 black and green pens. $\frac{5}{7}$ of them are black pens. How many green pens does he have?
- (1) 5
(2) 7
(3) 14
(4) 35
13. Michael ran 3.5 km. Adam ran half the distance that Michael ran. John ran 0.45 km more than Adam. What was the distance that John ran?
- (1) 1.75 km
(2) 2.15 km
(3) 2.20 km
(4) 7.45 km

14. An apple costs \$0.40 more than an orange. Antonio bought 2 apples and 3 oranges and paid a total of \$7.80. How much did he pay for the apples?

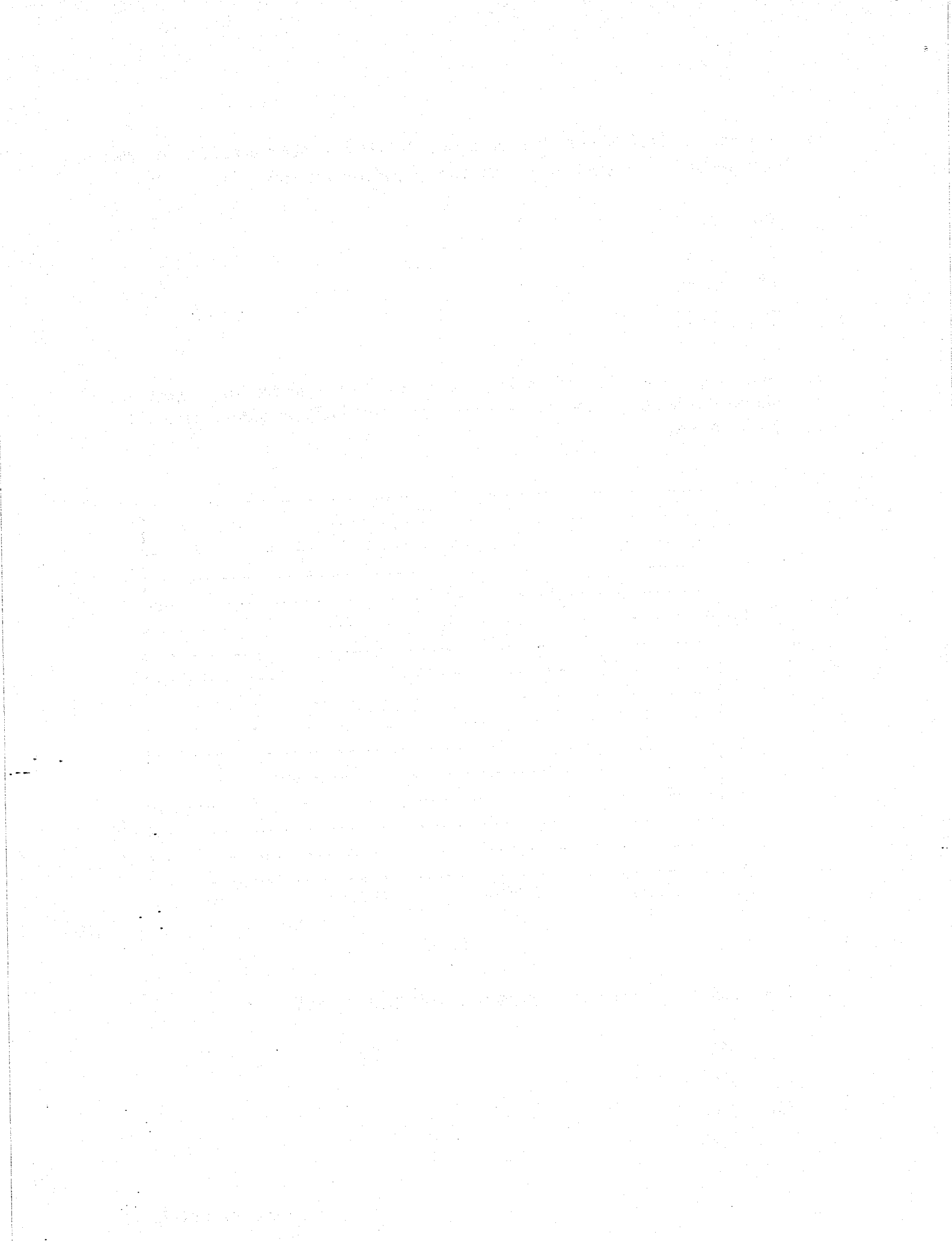
- (1) \$1.40
- (2) \$1.80
- (3) \$2.80
- (4) \$3.60

15. Raman was given \$50 every month as pocket money for school. The graph below shows the amount of money he saved each month after spending some of the pocket money.



How much did Raman spend altogether from January to April?

- (1) \$15
- (2) \$35
- (3) \$165
- (4) \$175





ROSYTH SCHOOL
2018 SEMESTRAL ASSESSMENT 1
MATHEMATICS
PAPER 1
PRIMARY 5

Name: _____

Register No. _____

Class: Pr 5 - _____

Date: 8 May 2018

Parent's Signature: _____

Total Time for Booklets A and B : 1 hour

Booklet B

Instructions to Pupils:

1. Do not open this booklet until you are told to do so.
2. Follow all instructions carefully.
3. You are **not** allowed to use a calculator.
4. Write your answers in the booklet.
5. Answer all questions.

Section	Maximum Mark	Marks Obtained
Paper 1 (Booklet B)	25	

* This booklet consists of 7 pages (including this cover page).

Questions 16 to 20 carry 1 mark each. Write your answers in the spaces provided. For questions which require units, give your answers in the units stated.

All diagrams in this paper are not drawn to scale unless stated otherwise.
(5 marks)

Do not write
in this space

16. Mdm Siti made 6 ℓ of fruit punch to be shared among 8 children. How many litres of fruit punch would each child receive?

Ans: _____ ℓ

17. Find the value of $24 \div 8 \times (4 + 5) - 15$.

Ans: _____

18. Find the value of 0.04×800 .

Ans: _____

19. Every month, the average number of books borrowed by 7 girls from the library is 4 books. How many books did they borrow altogether in a month?

Ans: _____

20. The table shows the number of pets per student has in a class.

Do not write
in this space

Number of pets per student	0	1	2	3
Number of students	17	8	12	5

How many students have at least 2 pets?

Ans: _____

Questions 21 to 30 carry 2 marks each. Show your workings clearly in the space provided for each question and write your answers in the spaces provided. For questions which require units, give your answers in the units stated.

Do not write
in this space

All diagrams in this paper are not drawn to scale unless stated otherwise.

(20 marks)

21. Meryl, Samantha and Willow had a total of 85 stickers. Samantha had 5 less stickers than Willow. Meryl had four times as many stickers as Willow. How many stickers did Samantha have?

Ans: _____

22. A container has a mass of 10 kg when it is filled with water completely. The same container has a mass of 6 kg when it is half filled with water. What is the mass of the container when it is empty?

Ans: _____ kg

23. There are 42 adults in a room. They are put into groups. Each group consists of 3 females and 4 males. How many males are there in the room?

Ans: _____

24. Allie wanted to buy 54 sweets. The sweets were packed into packets of 9. Each packet cost \$4.50. How much did Allie have to pay for the sweets?

Do not write
in this space

Ans: \$ _____

25. $\frac{3}{11}$ of the audience at a concert are adults and the rest are children. There are three times as many girls as boys at the concert. What fraction of the audience are girls?

Ans: _____

26. Lilian bought 20 kg of rice. She used $\frac{1}{10}$ of it on Monday and $\frac{3}{4}$ kg on Tuesday. How many kilograms of rice had she left?

Ans: _____ kg

27. There were 72 children at a party. $\frac{5}{6}$ of them were boys. Later, 5 more girls joined the party. How many girls were there at the party in the end?

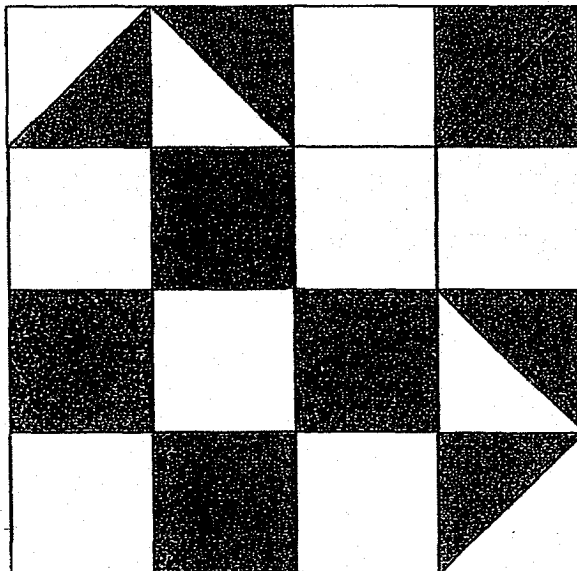
Do not write
in this space

Ans: _____

28. The perimeter of a rectangle is 80 cm. The length of the rectangle is four times the breadth of the rectangle. What is the length of the rectangle?

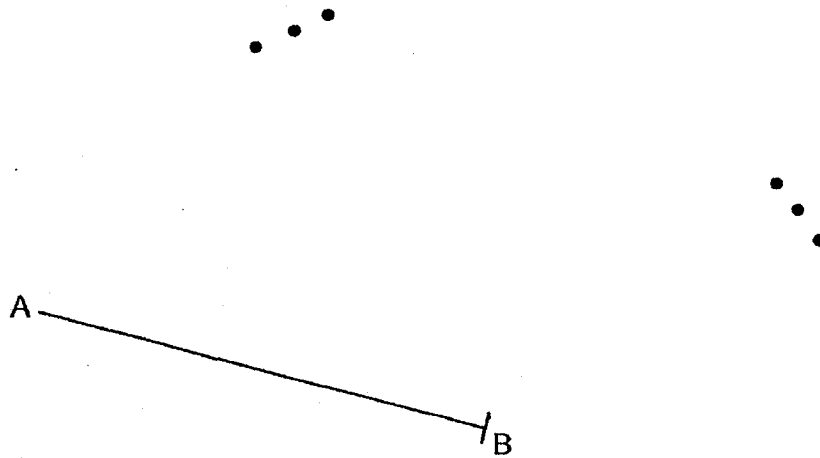
Ans: _____ cm

29. The figure below is symmetrical. Draw the line of symmetry.

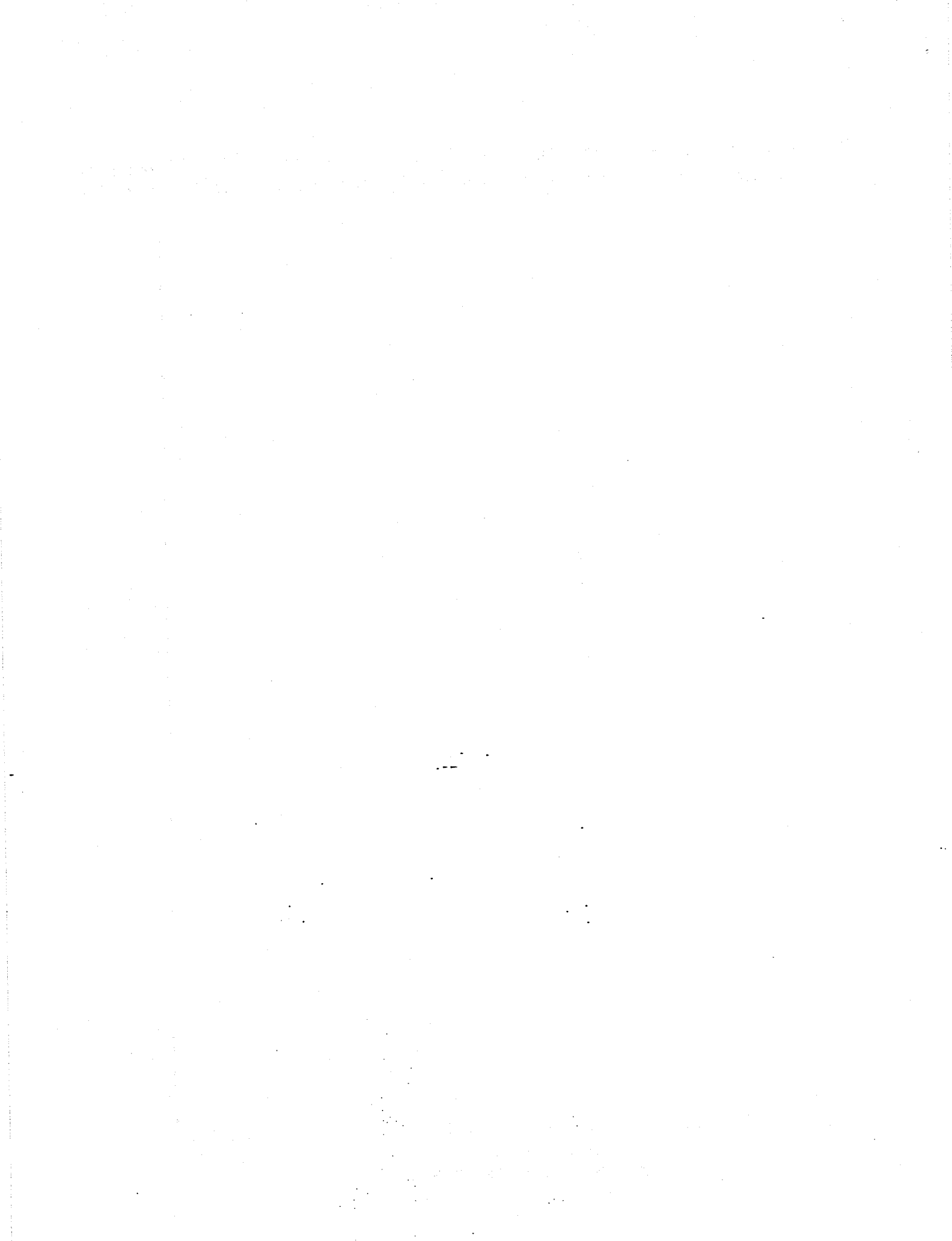


30. The line AB has been drawn for you. Point C is one of the dots given. Draw and label a line from point B to the correct dot to form the angle ABC which is 50° .

Do not write in this space



End of Booklet B
Have you checked your work?





ROSYTH SCHOOL
2018 SEMESTRAL ASSESSMENT 1
MATHEMATICS
PAPER 2
PRIMARY 5

Name: _____

Register No. _____

Class: Pr 5 - _____

Date: 8 May 2018

Parent's Signature: _____

Time: 1 h 30 min

Instructions to Pupils:

1. Do not open this booklet until you are told to do so.
2. Follow all instructions carefully.
3. **Show your workings clearly** as marks are awarded for correct working.
4. Write your answers in this booklet.
5. You are allowed to use a calculator.
6. Answer all questions.

Questions	Maximum Mark	Marks Obtained
Q 1 to 5	10	
Q 6 to 17	45	

Section	Maximum Mark	Marks Obtained
Paper 1	45	
Paper 2	55	
Total	100	

* This booklet consists of 15 pages (including this cover page)

Questions 1 to 5 carry 2 marks each. Show your working clearly in the space provided for each question and write your answers in the spaces provided. For questions which require units, give your answers in the units stated.

Do not write
in this space

All diagrams in this paper are not drawn to scale unless stated otherwise.

(10 marks)

1. Sasha made a first payment of \$34 000 for a car. She then paid \$2500 per month for the next 5 months for the remaining amount for the car. How much did the car cost?

Ans: \$ _____

2. Alyssa had some chocolates. The number of chocolates that Alyssa had was less than 20. She could pack all the chocolates equally into bags of 6 but when she packed the chocolates into bags of 8, she would have 4 chocolates left over. How many chocolates did Alyssa have?

Ans: _____

3. Rosna baked some muffins. $\frac{2}{3}$ of them were chocolate muffins, $\frac{1}{5}$ of them were banana muffins and the rest were blueberry muffins. She sold all 30 blueberry muffins. How many muffins did she make altogether?

Do not write
in this space

Ans: _____

4. The average number of stickers that Jane and Ken have is 104. Jane has 52 stickers. How many stickers does Ken have?

Ans: _____

5. The following table shows the number of points Linda had scored in a game of 4 rounds.

Round	Number of points
1	15
2	12
3	13
4	16

How many more points does Linda need so that the average number of points for each round will be 16?

Do not write
in this space

Ans: _____

For Questions 6 to 17, show your working clearly in the space provided for each question and write your answers in the spaces provided. The number of marks available is shown in brackets [] at the end of each question or part-question. For questions which require units, give your answers in the units stated.

Do not write
in this space

All diagrams in this paper are not drawn to scale unless stated otherwise.

(45 marks)

6. Mandy had 5.4 m of ribbon. She gave 1.05 m of ribbon to her sisters and cut the remainder equally into 6 pieces. What is the length of one piece of ribbon?

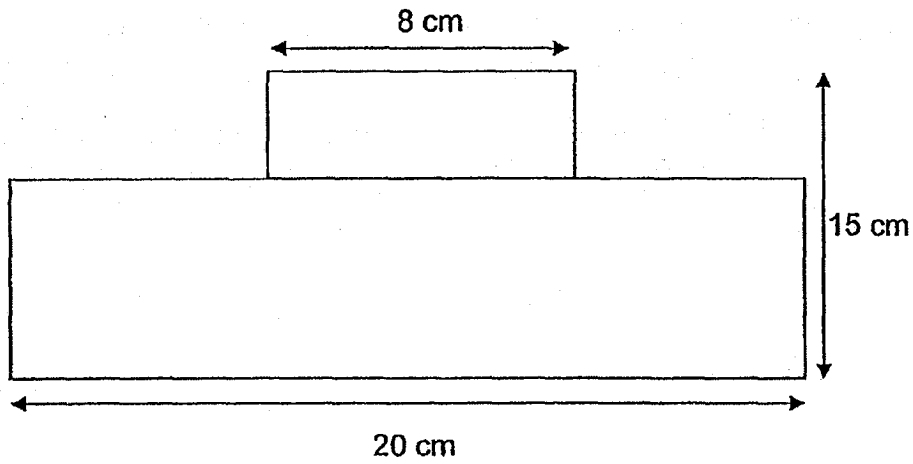
Ans: _____ [3]

7. Mandy, Kristen and Eva bought some stickers. The total number of stickers that Mandy and Kristen bought was 120. The total number of stickers that Mandy and Eva bought was 48. Kristen bought 9 times as many stickers as Eva. How many stickers did Kristen buy?

Ans: _____ [3]

8. The figure below is made up of 1 small rectangle and 1 large rectangle. The breadth of the large rectangle is twice the breadth of the small rectangle. Find the area of the figure.

Do not write in this space



Ans: _____ [3]



9. Mr Malik had some toys. $\frac{5}{7}$ of them were toy cars and the rest were toy trains. There were 180 more toy cars than toy trains. Find the total number of toys Mr Malik had.

Do not write
in this space

Ans: _____ [3]



10. Mr Tan bought 50 crates of oranges. Each crate contains 120 oranges. He packed $\frac{5}{8}$ of them equally in 150 boxes and used $\frac{9}{10}$ of the remaining oranges to make juice. He threw away the rest of the oranges as they were rotten.

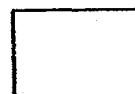
Do not write
in this space

(a) How many oranges were there in each box?

(b) How many oranges did he throw away?

Ans: (a) _____ [2]

(b) _____ [2]



11. Terry had some beads. He gave 35 beads to Dan and 47 beads to Anil. He then bought 145 new beads. After that, he gave 73 beads he had to Gene. He was finally left with 98 beads. How many beads did Terry have at first?

Do not write
in this space

Ans: _____ [3]

12. Fatimah had three times as many ice-cream sticks as Angela. Mandy had 15 less ice-cream sticks than Fatimah. If they had a total of 195 ice-cream sticks, how many ice-cream sticks did Mandy have?

Do not write
in this space

Ans: _____ [4]

13. There are equal number of boys and girls in a school. $\frac{1}{3}$ of the boys and $\frac{3}{5}$ of the girls wear spectacles. There are 252 boys and girls who wear spectacles. How many boys and girls are there in the school altogether?

Do not write
in this space

Ans: _____ [4]

14. 36 sticks were placed in a row from one end of a field to the other end at an equal spacing of 4 m apart. 10 sticks were removed and the remaining sticks were rearranged from one end of the field to the other end at a new equal spacing. What was the new spacing between 2 sticks?

Do not write
in this space

Ans: _____ [4]



15. Andrea bought some apples from a supermarket. If she bought 15 apples, she would be left with \$3. If she bought 23 apples, she would be short of \$4.20. How much money did Andrea have at first?

Do not write
in this space

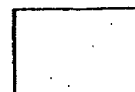
Ans: _____ [4]



16. There are 50-cent and \$1 coins in a bag. There are 16 more 50-cent coins than \$1 coins. The value of all the \$1 coins is \$2 more than the value of all the 50-cent coins. How many \$1 coins are there in the bag?

Do not write
in this space

Ans: _____ [5]



17. Mr Matthew spent \$320 on 5 shirts and 2 pairs of pants. The cost of 6 shirts is the same as that of 4 pairs of pants. Find the total cost of one shirt and one pair of pants.

Do not write
in this space

Ans: _____ [5]

End of paper
Have you checked your work?

SCHOOL : ROSYTH PRIMARY SCHOOL
LEVEL : PRIMARY 5
SUBJECT : MATH
TERM : 2018 SA1

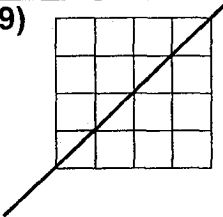
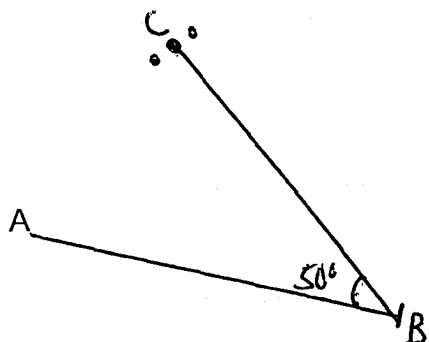
PAPER 1 BOOKLET A

Q 1	Q2	Q3	Q4	Q5	Q6	Q7	Q8	Q9	Q10
4	3	3	4	2	2	1	1	2	4

Q11	Q12	Q13	Q14	Q15
2	3	3	4	3

PAPER 1 BOOKLET B

Q16) $6L = 6000ml$ $6000 \div 8 = 750$ $750ml = 0.75L$
Q17) $3 \times 9 = 27$ $27 - 15 = 12$
Q18) $800 \div 25 = 32$
Q19) $7 \times 4 = 28$ books
Q20) $12 + 5 = 17$
Q21) $6u - 5 = 85$ $6u = 85 + 5 = 90$ $1u = 90 \div 6 = 15$ $15 - 5 = 10$ stickers
Q22) $10 - 6 = 4$ $4 \times 2 = 8$ $10 - 8 = 2$ kg
Q23) $42 \div 7 = 6$ $6 \times 4 = 24$ males
Q24) $54 \div 9 = 6$ $6 \times 4.50 = 24 + 3 = \27
Q25) $1 - \frac{3}{11} = \frac{8}{11}$ $\frac{8}{11} \div 4 = \frac{2}{11}$ (boys) $\frac{2}{11} \times 3 = \frac{6}{11}$ (girls)

Q26)	$1/10 \times 20 = 2$ $20 - 2 = 18$ $18 - 3/4 = 17\frac{1}{4}$ kg or 17.25kg
Q27)	$72 - 60 = 12$ (girls) $5/6 \times 72 = 60$ (boys) $12 + 5 = 17$
Q28)	$4 + 1 = 5$ $5 \times 2 = 10$ $10u = 80$ $1u = 80 \div 10 = 8$ $4u = 8 \times 4 = 32$ cm
Q29)	
Q30)	

PAPER 2

Q1)	$2500 \times 5 = 12500$ $34000 + 12500 = \$46500$
Q2)	$6 \times 2 = 12$ $8 + 4 = 12$
Q3)	$2/3 = 10/15$ (cm) $1/5 = 3/15$ (bm) $2/15 \rightarrow 30$ $1/15 \rightarrow 30 \div 2 = 15$ $15 \times 15 = 225$ muffins
Q4)	$104 \times 2 = 208$ $208 - 52 = 156$ stickers
Q5)	$16 \times 4 = 64$ $16 + 13 = 29$ $29 + 12 = 41$ $41 + 15 = 56$ $64 - 56 = 8$ more points

Q6)	$5.40 - 1.05 = 4.35$ $4.35 \div 6 = 0.725 \text{ m}$
Q7)	$120 - 48 = 72$ $8u = 72$ $1u = 72 \div 8 = 9$ $9u = 9 \times 9 = 81 \text{ stickers}$
Q8)	$3u = 15$ $1u = 15 \div 3 = 5$ $2u = 5 \times 2 = 10$ $8 \times 5 = 40$ $20 \times 10 = 200$ $200 + 40 = 240 \text{ cm}^2$
Q9)	$3/7 \text{ --- } 180$ $1/7 \text{ --- } 180 \div 3 = 60$ $60 \times 7 = 420 \text{ toys}$
Q10)	a) $50 \times 120 = 6000$ $5/8 \times 6000 = 3750$ $3750 \div 150 = 25$ b) $6000 - 3750 = 2250$ $9/10 \times 2250 = 2025$ $2050 - 2025 = 225$
Q11)	$98 + 73 = 171$ $171 - 145 = 26$ $26 + 47 = 72$ $72 + 35 = 108$
Q12)	$7u - 15 = 195$ $7u = 195 + 15 = 210$ $1u = 210 \div 7 = 30$ $3u = 30 \times 3 = 90$ $90 - 15 = 75$
Q13)	$5 + 9 = 14$ $14u = 252$ $1u = 252 \div 14 = 18$ $30u = 18 \times 30 = 540$
Q14)	$35 \text{ gaps --- } 35 \times 4 = 140$ $25 \text{ gaps --- } 140 \div 25 = 5.6 \text{ m}$
Q15)	Cost of 8 apples --- $4.20 + 3 = 7.20$ Cost of 1 apple --- $7.20 \div 8 = 0.90$ Cost of 15 apples --- $15 \times 0.90 = 13.50$ $13.50 + 3 = \$16.50$
Q16)	$16 \times 0.50 = 8$ $8 + 2 = 10$ $1 \text{ --- } 0.50 = 0.50$

$$10 \div 0.50 = 20 \text{ \$1 coins}$$

Q17) Cost of 8 shirts --- 320

$$\text{Cost of 1 shirt --- } 320 \div 8 = 40$$

$$\text{Cost of 6 shirts --- } 6 \times 40 = 240$$

$$240 \div 4 = 60$$

$$60 + 40 = \$100$$