



Nan Hua Primary School
Primary 6 Mathematics
Term 1 Non - Weighted Assessment 2023
Paper 1

Marks	
Section A:	/10
Section B:	/12
Total:	22

Name: _____ ()

Class: Primary 6M__

Date: _____

Duration: 30 min

Parent's Signature

Answer all questions. The use of calculators is NOT allowed.

Section A

Questions 1 to 2 carry 1 mark each. Question 3 to 6 carry 2 marks each.
For each question, four options are given. One of them is the correct answer.
Make your choice and write your answer in the bracket provided.

(10marks)

- 1 Arrange the following fractions from the greatest to the smallest.

$$\frac{5}{9}, \frac{1}{2}, \frac{5}{6}$$

Greatest

Smallest

- (1) $\frac{1}{2}$, $\frac{5}{9}$, $\frac{5}{6}$ ✗
- (2) $\frac{5}{6}$, $\frac{5}{9}$, $\frac{1}{2}$ ✓
- (3) $\frac{5}{6}$, $\frac{1}{2}$, $\frac{5}{9}$ ✗
- (4) $\frac{1}{2}$, $\frac{5}{6}$, $\frac{5}{9}$ ✗

()

2 Which one of the following is a common factor of 16 and 36?

(1) 144

(2) 8

(3) 6

(4) 4

()

3 What is the value of $360 + (60 - 6) \div 6$?

(1) 69

(2) 359

(3) 369

(4) 419

()

4 A bag cost \$200. Kate bought it at a 25% discount. How much did she pay for the bag after adding 8% GST?

(1) \$162

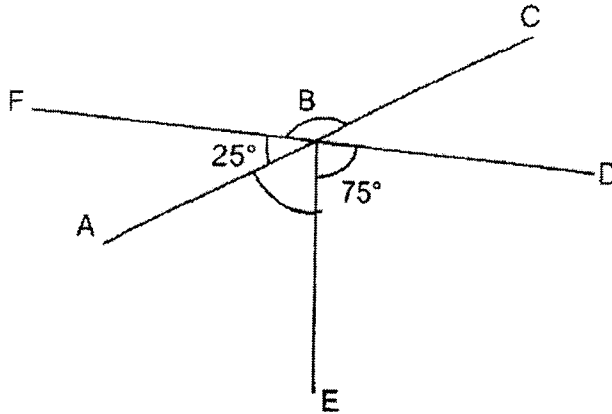
(2) \$150

(3) \$138

(4) \$134

()

- 5 AC and DF are straight lines. Find $\angle CBF$.



- (1) 160°
 (2) 155°
 (3) 100°
 (4) 80°

()

- 6 Shanice had 350 marbles. She gave some of the marbles to her friends and had 280 marbles left. What was the percentage decrease in the number of marbles?

- (1) 20%
 (2) 25%
 (3) 70%
 (4) 80%

()

Section B

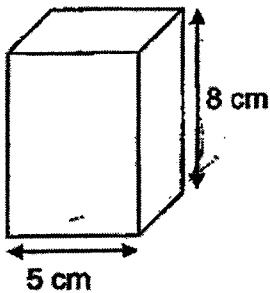
Questions 7 to 8 carry 1 mark each. Questions 9 to 13 carry 2 marks each.
Show your working clearly and write your answers in the spaces provided.
For questions which require units, give your answers in the units stated. (12 marks)

Do not write
in this space

- 7 Express $2\frac{3}{8}$ as a decimal.

Ans: _____

- 8 A cuboid has a height of 8 cm and a square base of edge 5 cm. What is its volume?



Ans: _____ cm³

- 9 A poster has an area of $\frac{3}{4} \text{ m}^2$. Its length is $\frac{7}{8} \text{ m}$. Find its breadth.

Do not write
in this space

Ans: _____ m

- 10 Sam has some 1-dollar and 20-cent coins in the ratio 2 : 5. The total value of the coins is \$21. How many 20-cent coins does he have?

Ans: _____

- 11 The table below shows Macy's savings from January to March. Her average savings for the 3 months was \$52. How much did she save in March?

Do not write
in this space

Month	January	February	March
Savings	\$28	\$70	?

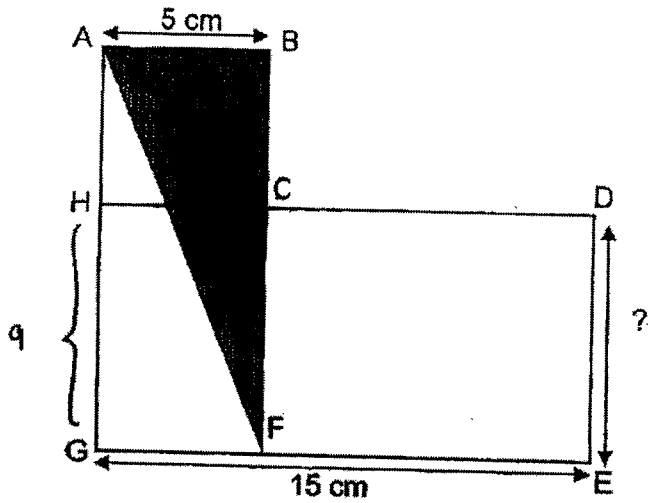
Ans: \$ _____

- 12 Suzy packed 13 kg of flour into small packets. Each packet contained $\frac{2}{3}$ kg of flour. How much flour was left in the packet that was not completely filled? .

Ans: _____ kg

- 13 In the figure below, $ABCH$ is a square and $DEGH$ is a rectangle. Given that the area of the shaded triangle is 35 cm^2 , find the length of DE .

Do not write
in this space



Ans: _____ cm

— End of Paper —



Nan Hua Primary School
 Primary 6 Mathematics
 Term 1 Non - Weighted Assessment 2023
 Paper 2

Marks	
Section A:	/8
Section B:	/20
Total:	28

Name: _____ ()

Class: Primary 6M____

Date: _____

Duration: 45 min

 Parent's Signature

Answer all questions. The use of an approved calculator is allowed.

Section A

Questions 1 to 4 carry 2 marks each. Show your working clearly and write your answers in the spaces provided. For questions which require units, give your answers in the units stated. (8 marks)

Do not write
 in this space

- 1 Simon has some peanuts. He wants to pack 28 packets of peanuts. Each packet contains 0.8 kg of peanuts. He has 620 g of peanuts left. How many kilograms of peanuts did he have at first?

Ans: _____ kg [2]

- 2 A sum of money was shared between Ali and John in the ratio 2 : 5. John gave $\frac{1}{4}$ of his share to Ali. What is the new ratio of Ali's share to John's share of the money?

Do not write
in this space

Ans: _____

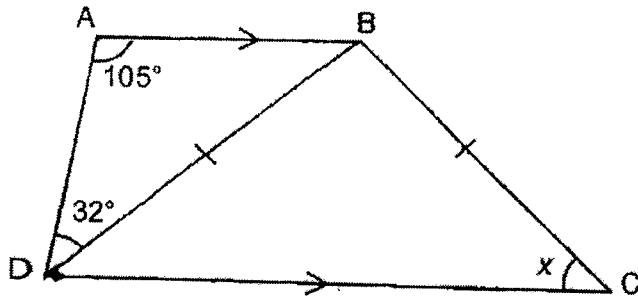
[2]

- 3 Andy packed 168 beads into 3 bags, A, B and C. The ratio of the number of beads in Bag A to the number of beads in Bag B to the number of beads in Bag C was 3: 15: 10. How many beads were there in Bag C?

Ans: _____

[2]

- 4 In the figure below, ABCD is a trapezium and BCD is an isosceles triangle. Find $\angle x$.



Do not write
in this space

Ans: _____^o [2]

Section B

For questions 5 to 9, show your working clearly and write your answers in the spaces provided. The number of marks available is shown in brackets [] at the end of each question or part-question. (20 marks)

Do not write
in this space

- 5 Macy had \$270 less than Lindy. After Macy gave Lindy some money, Lindy had 4 times as much money as Macy. If Macy had \$520 left, how much money did she have at first?

_____ [3]

- 6 An empty rectangular tank measures 52 cm by 45 cm by 40 cm. A tap was turned on and water flowed at a rate of 5.2 litres per minute. How long would it take for the tank to be $\frac{1}{2}$ -filled?

Ans: _____ [3]

- 7 Ashton, Bryan and Charles were given the same number of funfair tickets to sell. Charles sold 92 tickets. Bryan had twice as many tickets left unsold as Ashton's. Charles number of tickets left unsold was 14 fewer than Bryan's. There was a total of 491 unsold tickets. How many tickets did each of them have to sell?

Do not write
in this space

Ans: _____ [4]

- 8 Fatimah spent $\frac{1}{4}$ of her money on 8 cookies and 2 muffins. A muffin cost three times as much as a cookie. She bought some more cookies with $\frac{2}{7}$ of her remaining money. How many cookies did Fatimah buy altogether?

Do not write
in this space

Ans: _____ [5]

9 Danny had 880 cards in his collection. 25% of the cards were football cards and the rest were basketball cards.

- (a) How many more basketball cards than football cards did he have in his collection?

Do not write
in this space

Ans: (a) _____ [1]

- (b) How many more football cards must Danny buy if he wanted to increase the number of football cards in his collection to 45%?

Ans: (b) _____ [4]

— End of Paper —

SCHOOL : NAN HUA SCHOOL
 LEVEL : PRIMARY 6
 SUBJECT : MATH
 TERM : WA1 2023

Q1	Q2	Q3	Q4	Q5	Q6
2	4	3	1	2	1

Q7)	2.375
Q8)	200cm ³
Q9)	6/7
Q10)	35
Q11)	$52 \times 3 = 156$ $\$156 - \$28 - \$70 = \$156 - \$98 = \58
Q12)	$13 \div \frac{2}{3} = 13 \times \frac{3}{2}$ $= \frac{39}{2} = 19\frac{1}{2}$ $19 \times \frac{2}{3} = \frac{38}{3} = 12\frac{2}{3}$ $13 - 12\frac{2}{3} = \frac{1}{3}\text{kg}$
Q13)	9cm

PAPER 2

Q1)	$0.8\text{kg} = 800\text{g}$ $800 \times 28 = 22400$ $22400 + 620 = 23020$ $23020\text{g} = 23.02\text{kg}$
Q2)	13 : 15
Q3)	$3u + 15u + 10u = 28u$ $28u \rightarrow 168$ $1u \rightarrow 6$ $10u \rightarrow 60$

Q4)	$180 - 105 - 32 = 43^\circ$ $X = \text{LBDC}$
Q5)	1165
Q6)	$(52 \times 45 \times 40) \div 2 = 46800$ $46800\text{ml} = 46.8\text{L}$ $46.8 \div 5.2 = 9 \text{ minutes}$
Q7)	$491 + 14 = 505$ $1u \rightarrow 505 \div 5 = 101$ $2u \rightarrow 202$ $202 - 14 = 188$ $188 + 92 = 208$
Q8)	$1 - \frac{1}{4} = \frac{3}{4}$ $\frac{3}{4} \times \frac{2}{7} = \frac{3}{14} = \frac{6}{28}$ $\frac{7}{28} \rightarrow 14\text{C}$ $\frac{1}{28} \rightarrow 2\text{C}$ $\frac{6}{28} \rightarrow 12\text{C}$ — $12 + 8 = 20$
Q9)	<p>a) $4u \rightarrow 880$ $1u \rightarrow 220$ $2u \rightarrow 440$</p> <p>b) $3u \rightarrow 220 \times 3 = 660$ $100\% - 45\% = 55\%$ $55\% \rightarrow 660$ $1\% \rightarrow 12$ $45\% \rightarrow 12 \times 45 = 540$ $540 - 220 = 320$</p>